

SRS TOP XL

The SRS TOP roller shutters can be mounted on many different types of firefighting, emergency, industrial and special vehicles. They are medium-sized roller shutters that are rolled up by a 45ø roller.



SRS TOP XL



The aluminium roller shutter mod. TOP XL is assembled with profile H38, is realized with the required heights in extruded shapes and special characteristics. It can be used for the main compartments, in substitution to the troublesome leaf-doors. Usually, the roller shutters are delivered silver anodized or RAL 7035 painted, or on demand painted in different RAL colours. The space-saving TOP shutters have a special wrapping roll Ø60, pre-set in accordance to the shutters dimensions.

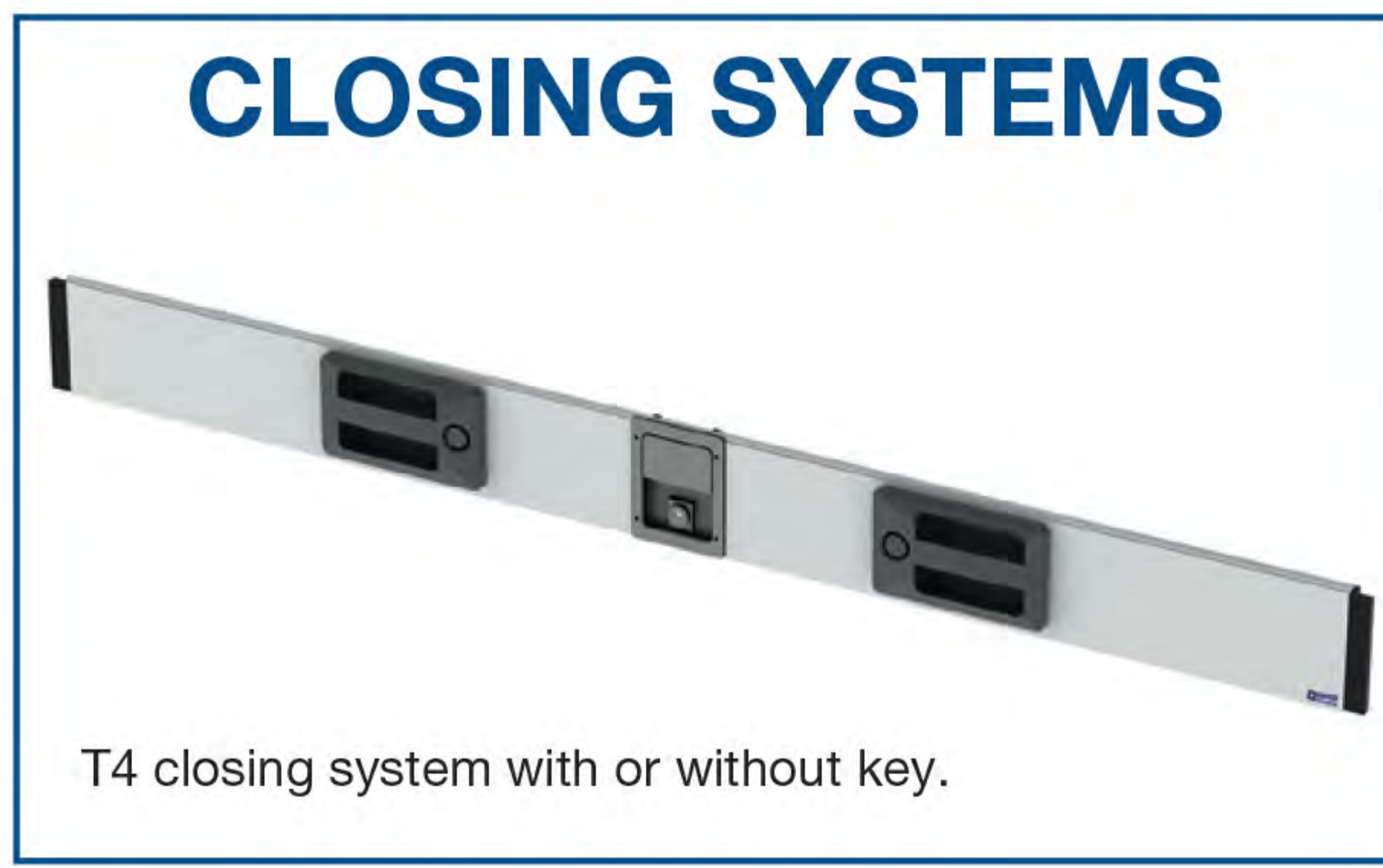
The TOP XL shutters are realized for big areas, but are also a good solution for areas until 5m².

They are very strong and have an increased closing part, wrapping roll and a special hooking system. They are mostly required for commercial and distribution vehicles.

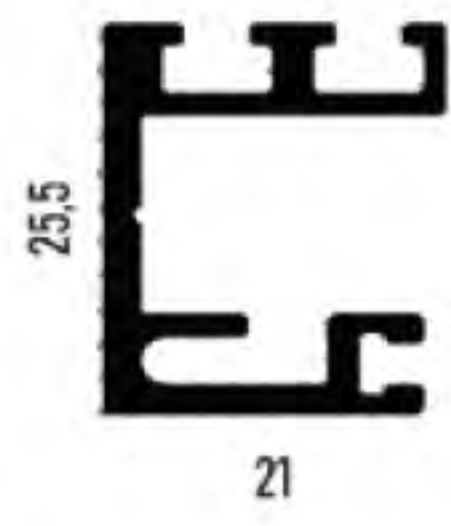
The roller shutter will be delivered divided into parts, which can be easy assembled:

- 1 pre-assembled shutter complete with closing system with or without key
 - 1 pair of vertical guides
 - 1 pre-set wrapping roll
 - 1 box with accessories
- + **Required optionals**

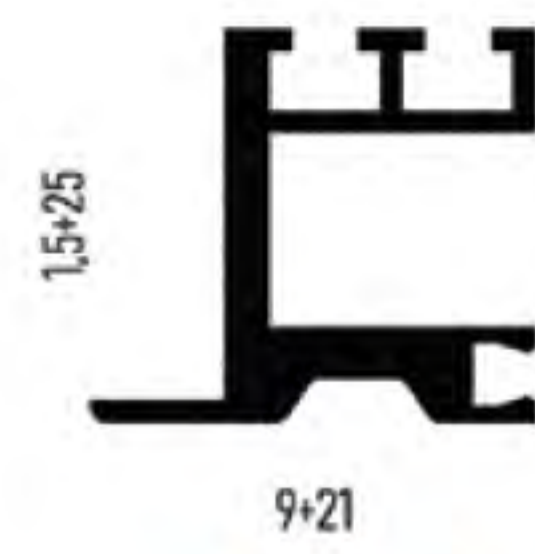
MAX. RECOMMENDED DIMENSIONS		Weight of roller shutter for 1m ²
Max. recommended area	7m ²	H38 = 11Kg
Width max.	2900 mm	
Height max.	2500 mm	
Width min.	1000 mm	



AVAILABLE GUIDE PROFILES



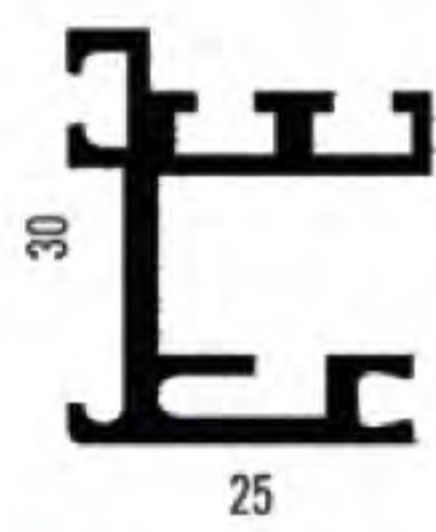
MP1



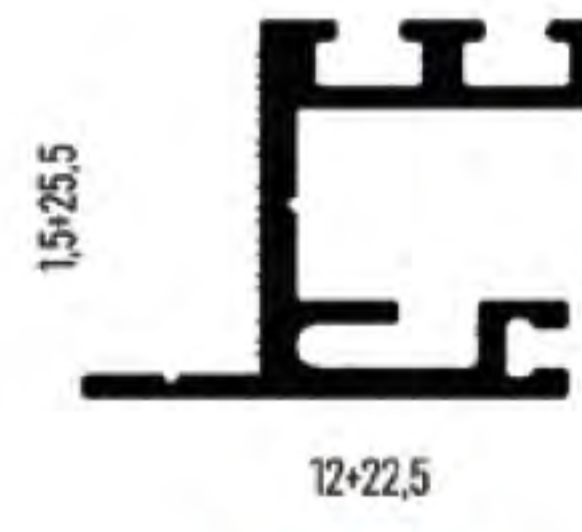
MP2



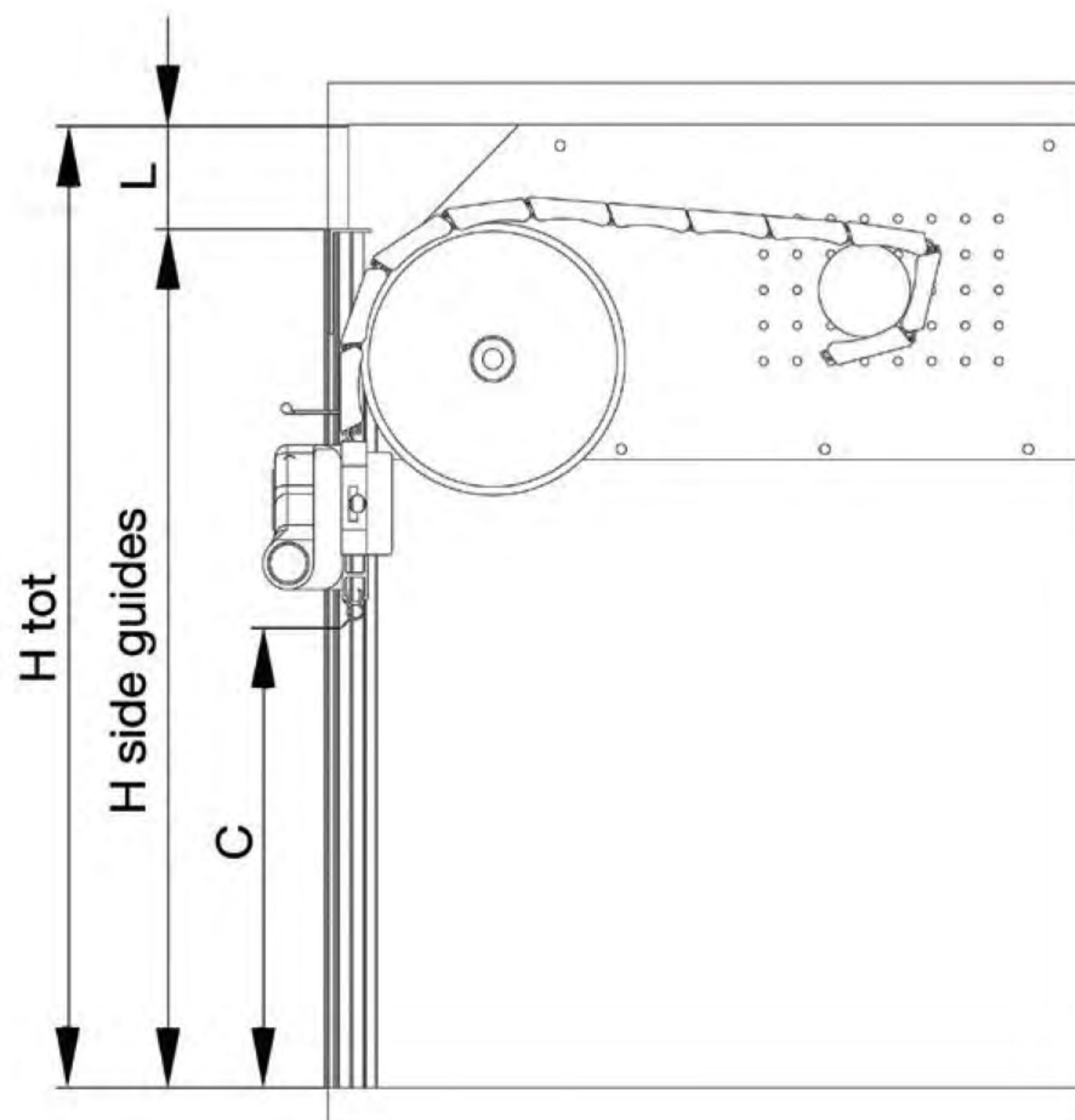
MP4 1 rubber



MP4 2 rubbers



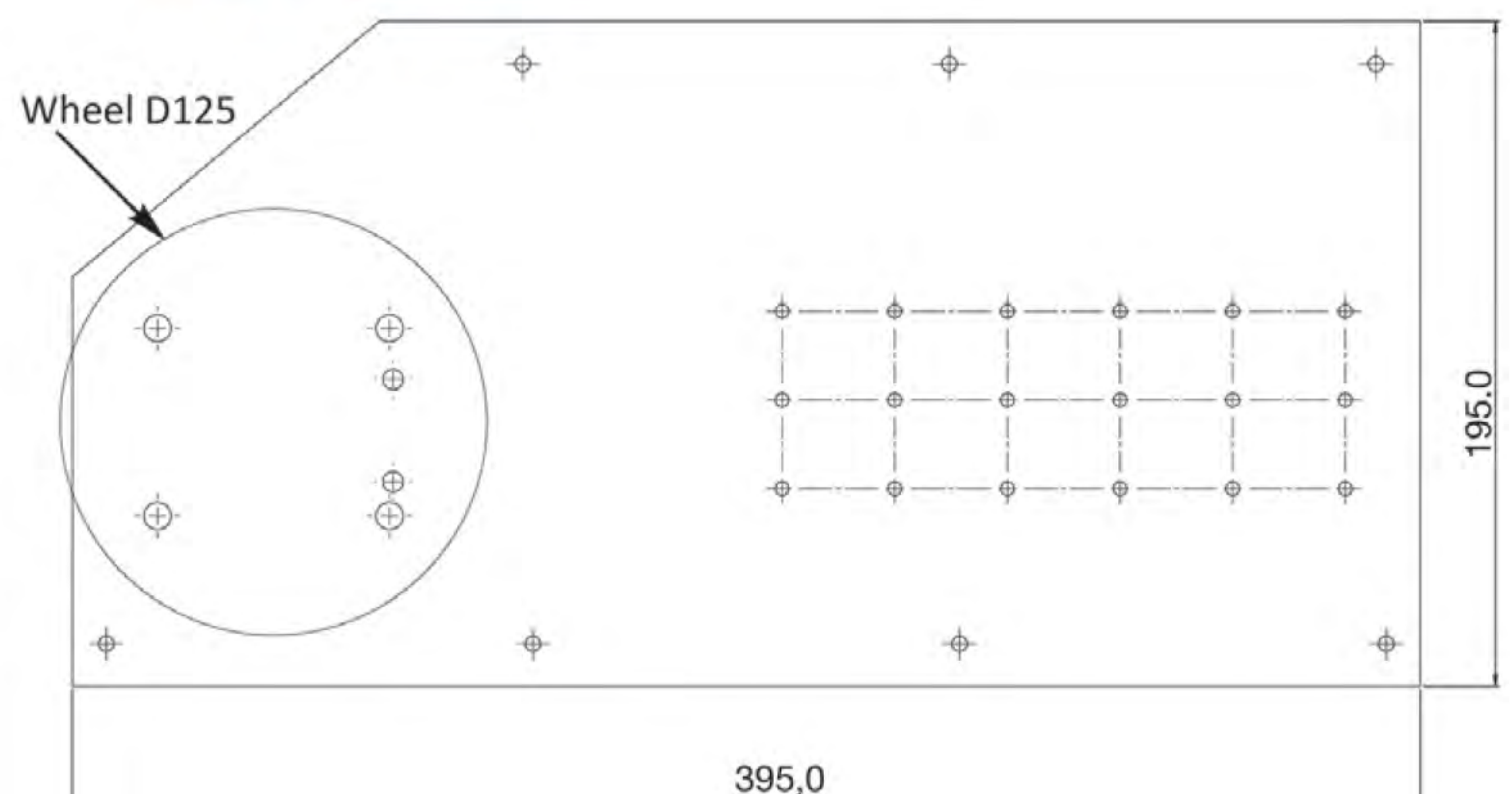
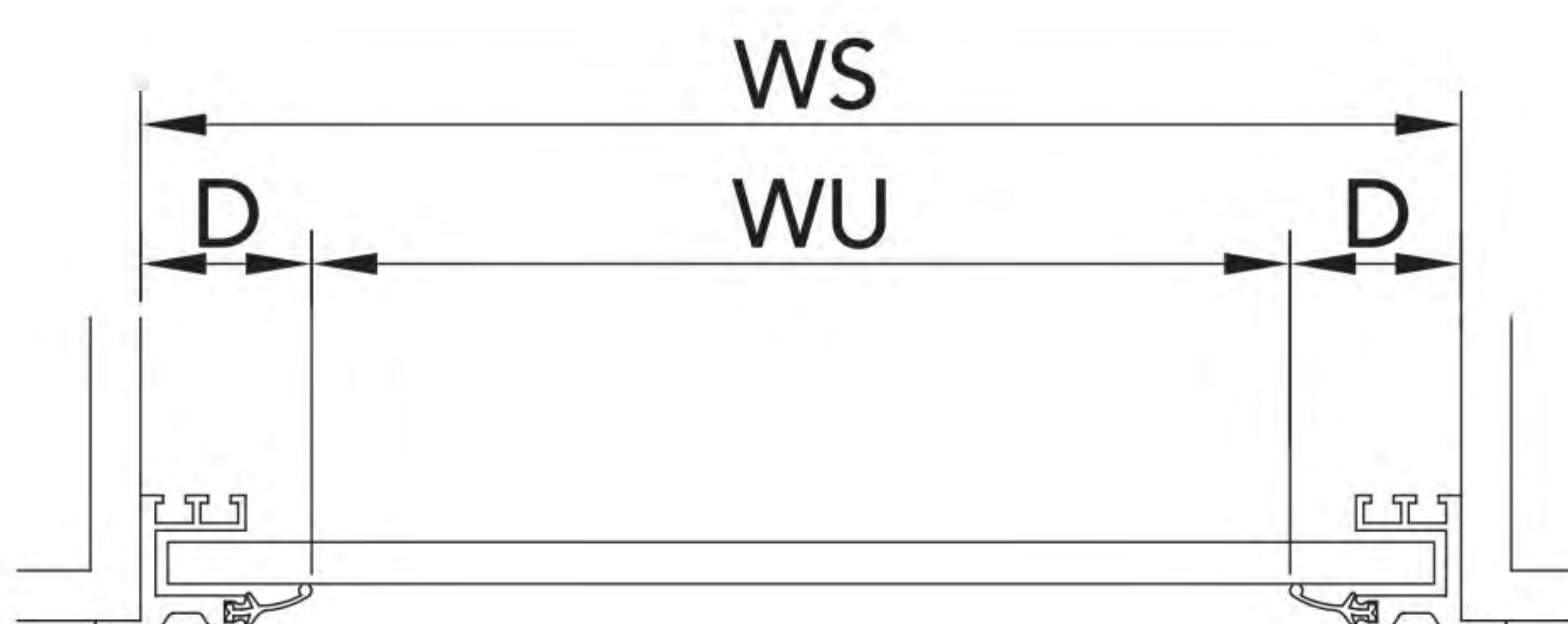
MP5

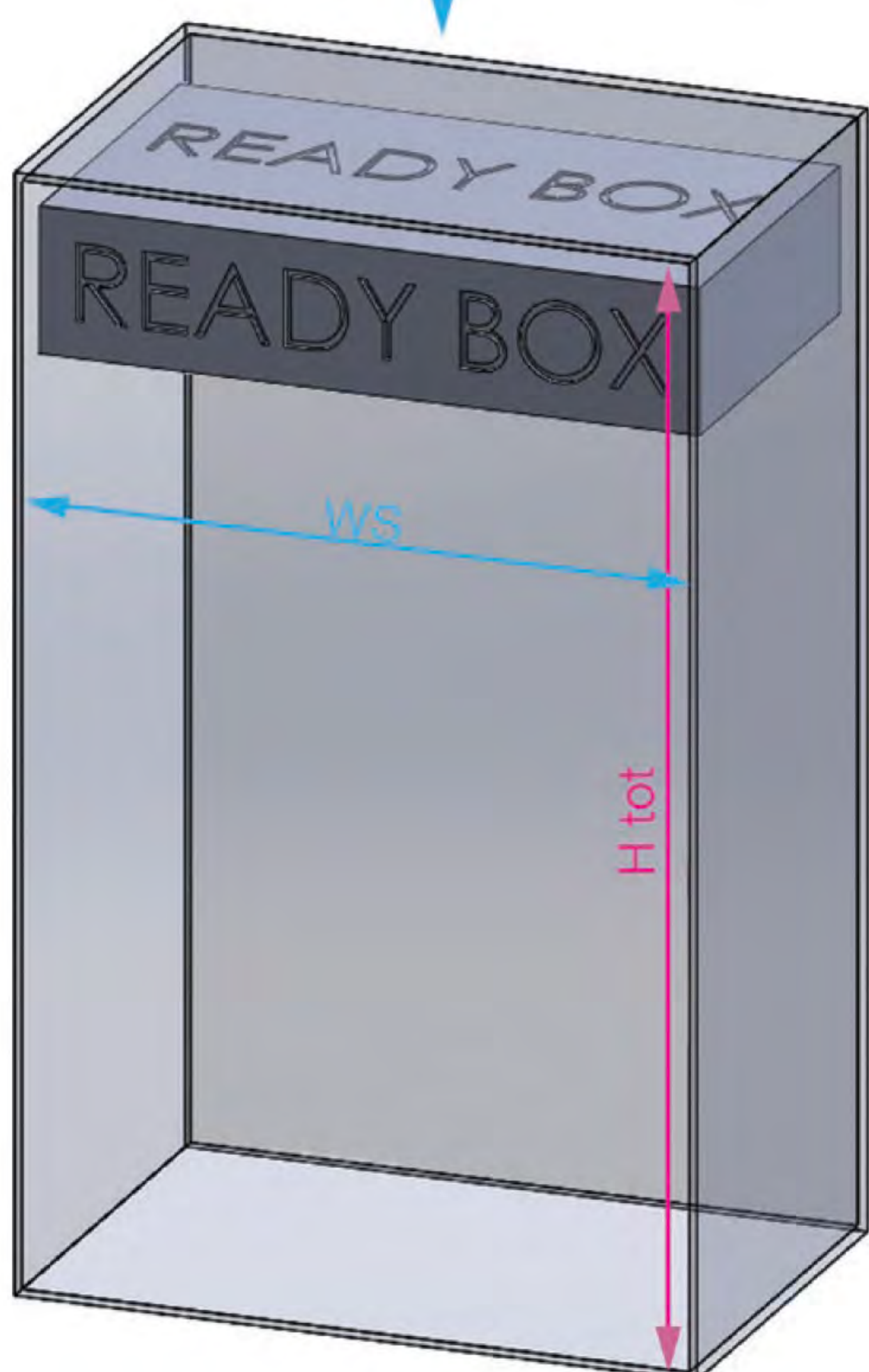
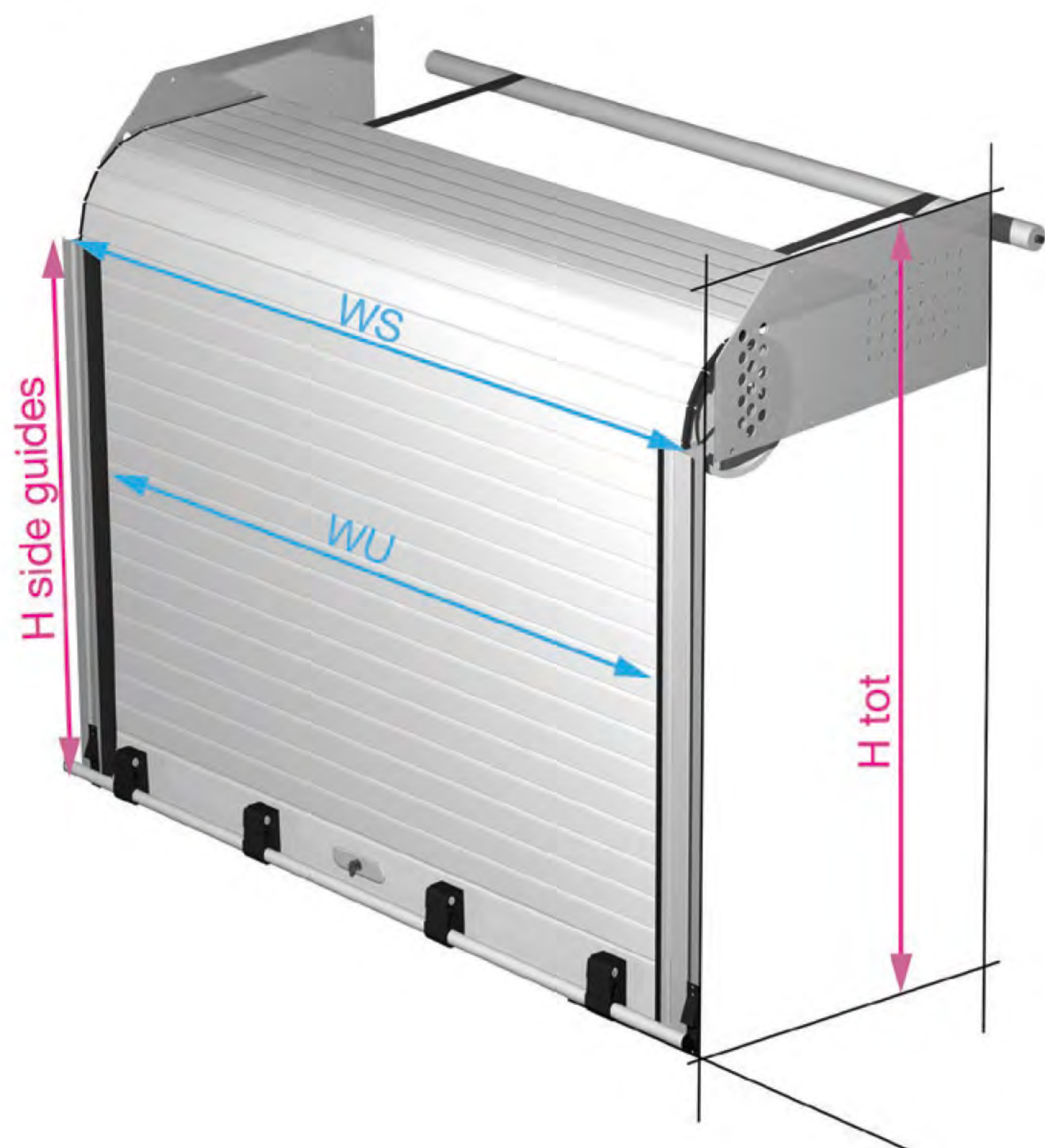


MEASUREMENTS

H tot	Total height
H guides	Side guides height
L	Sliding room
C	Light height
WU	Light width
WS	Total width
D	Guide and gasket edge

FIXING PLATE - dimensions and rows for the wheel diameter.





View mounting instruction video MP4

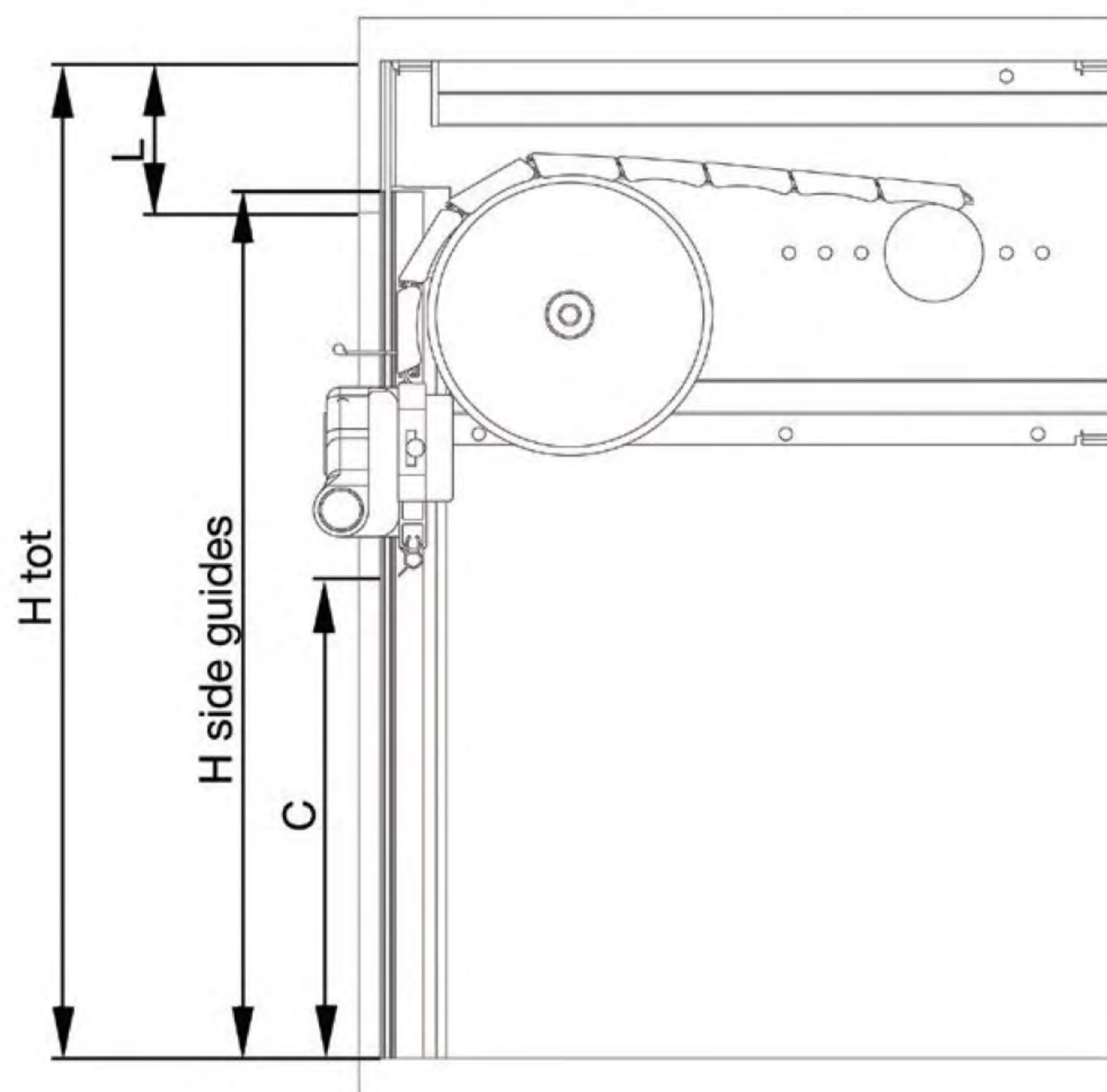


View mounting instruction video MP5

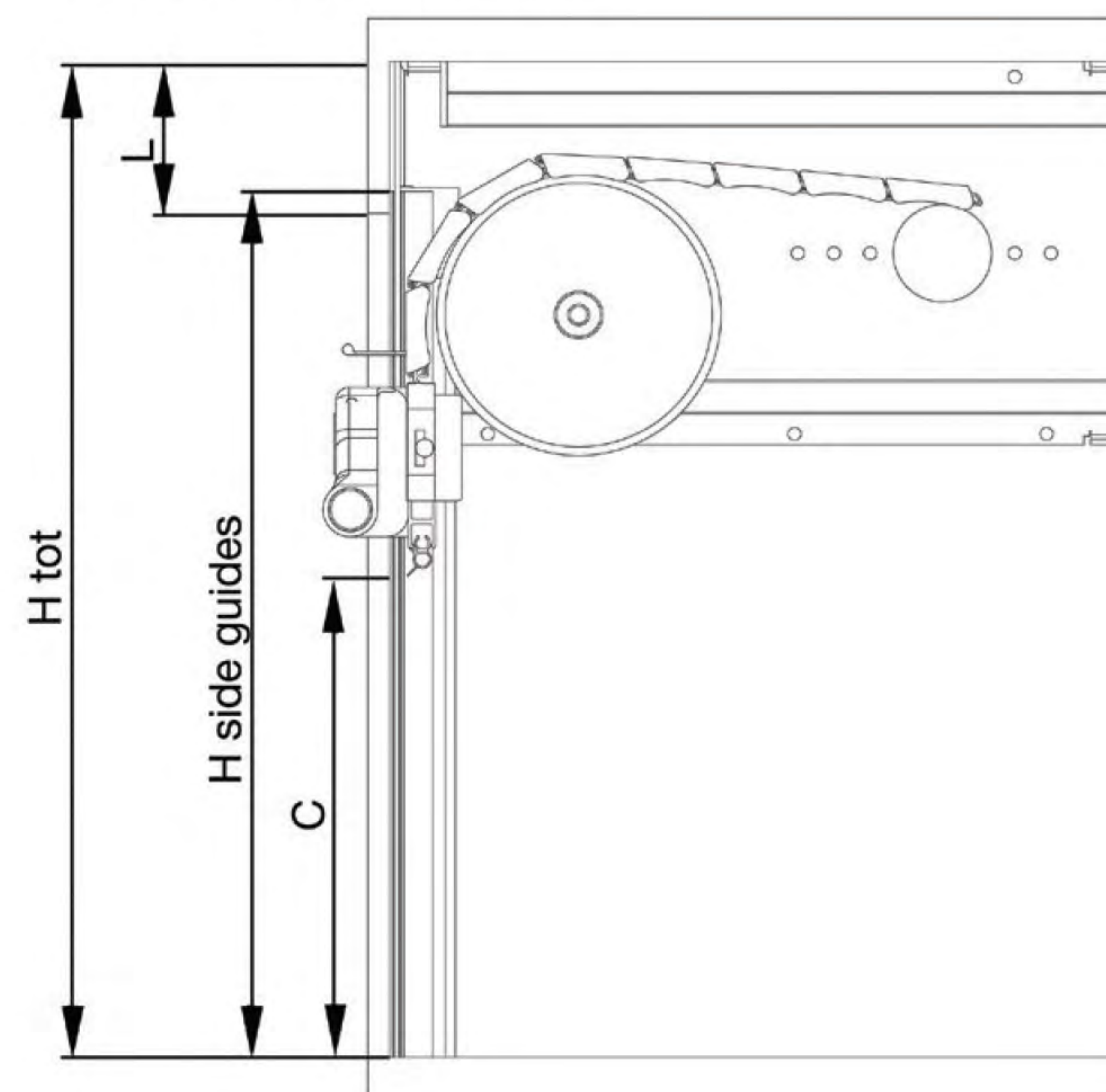
MEASURING

MEASUREMENTS	
H tot	Total height
H guides	Side guides height
L	Sliding room
C	Light height
WU	Light width
WS	Total width

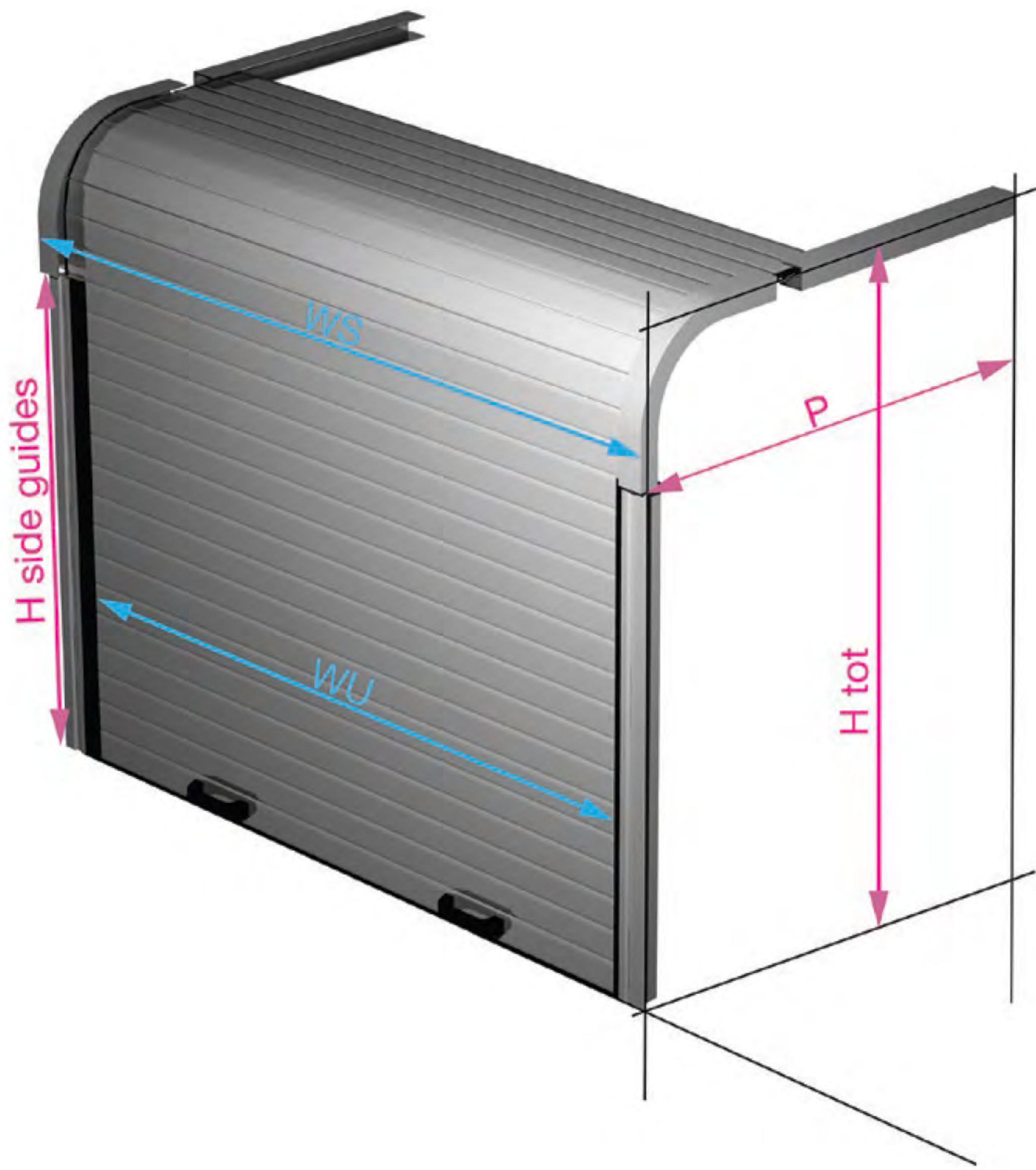
SRS TOP READY MP4



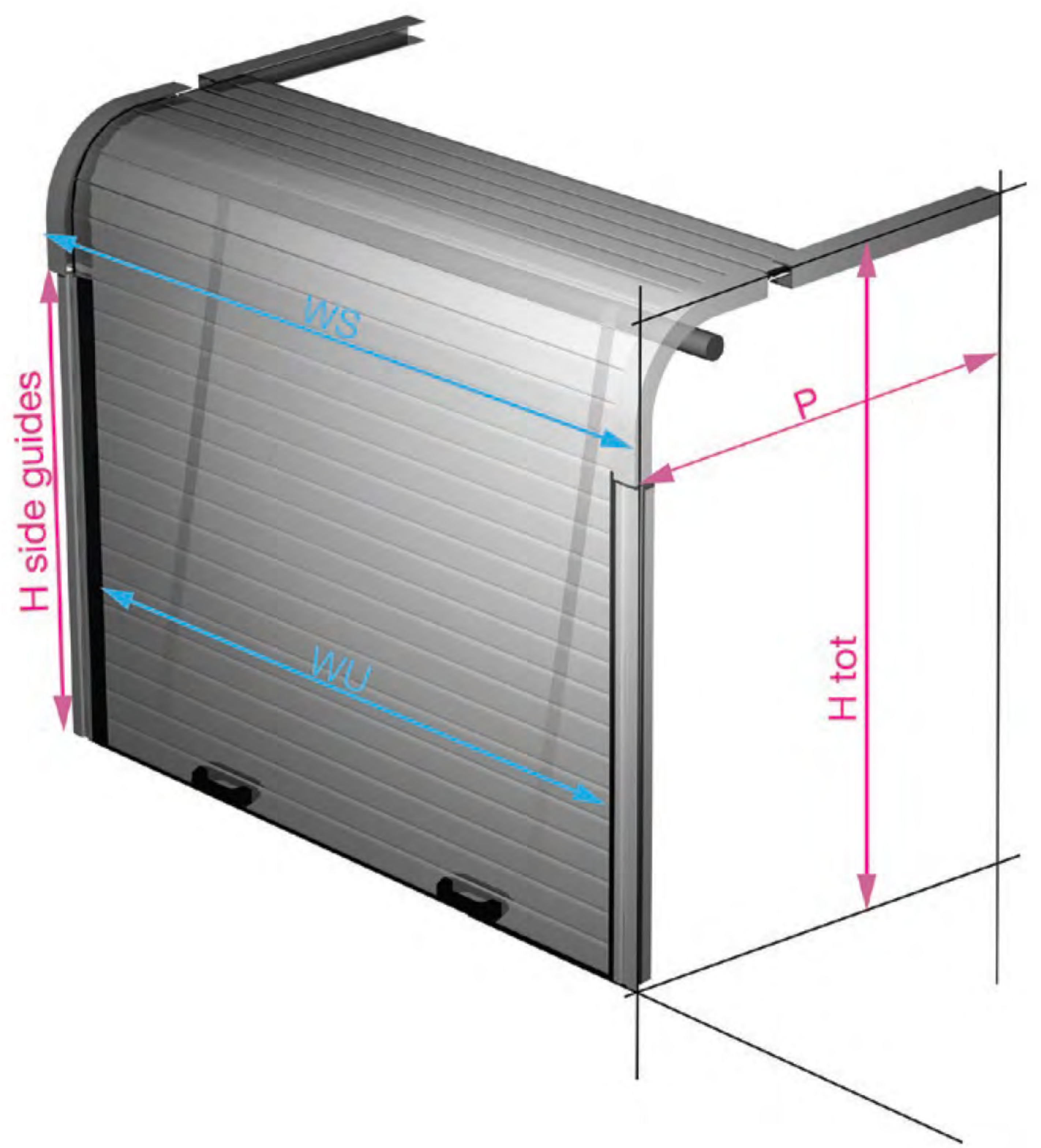
SRS TOP READY MP5



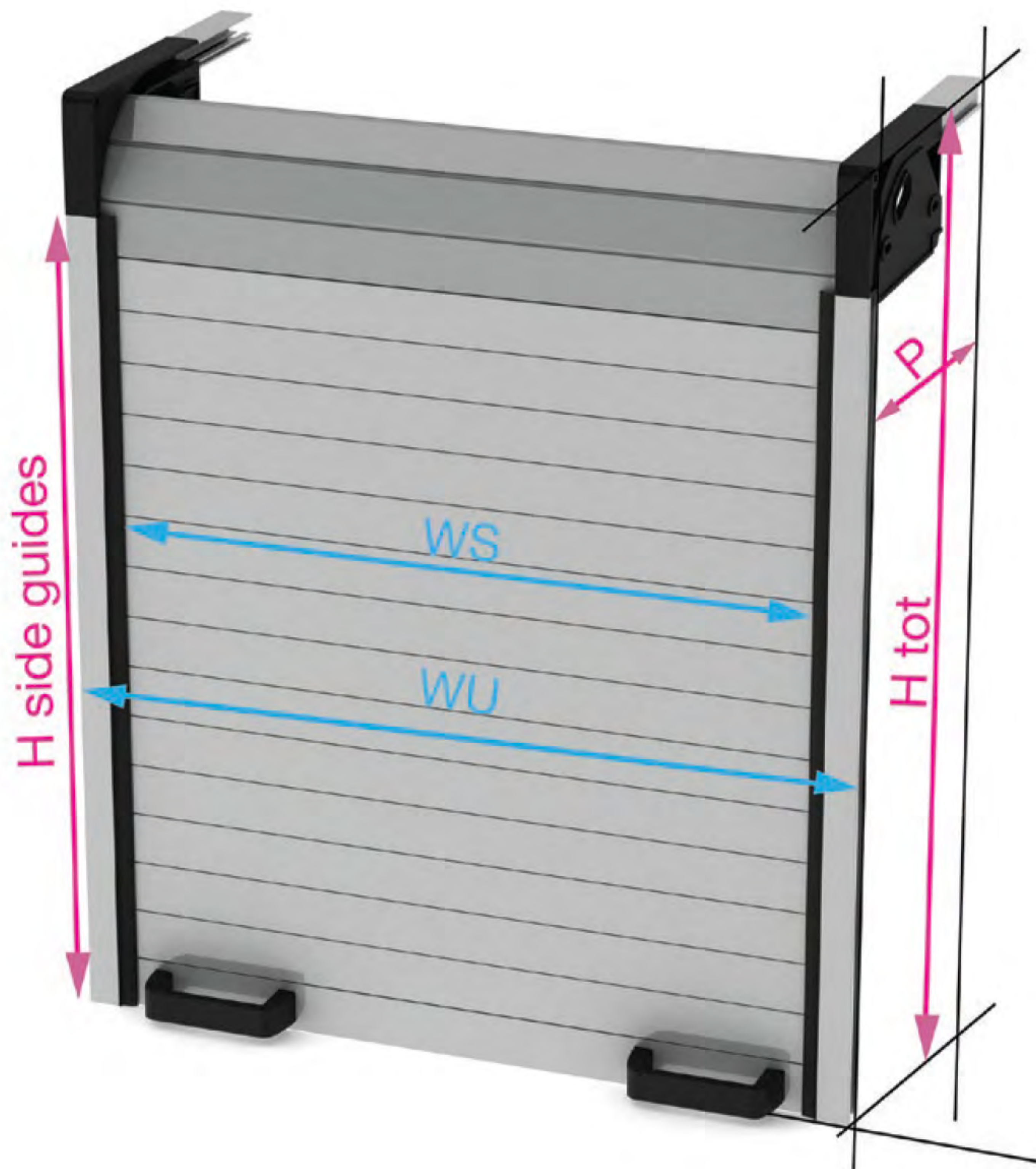
SRS ECO



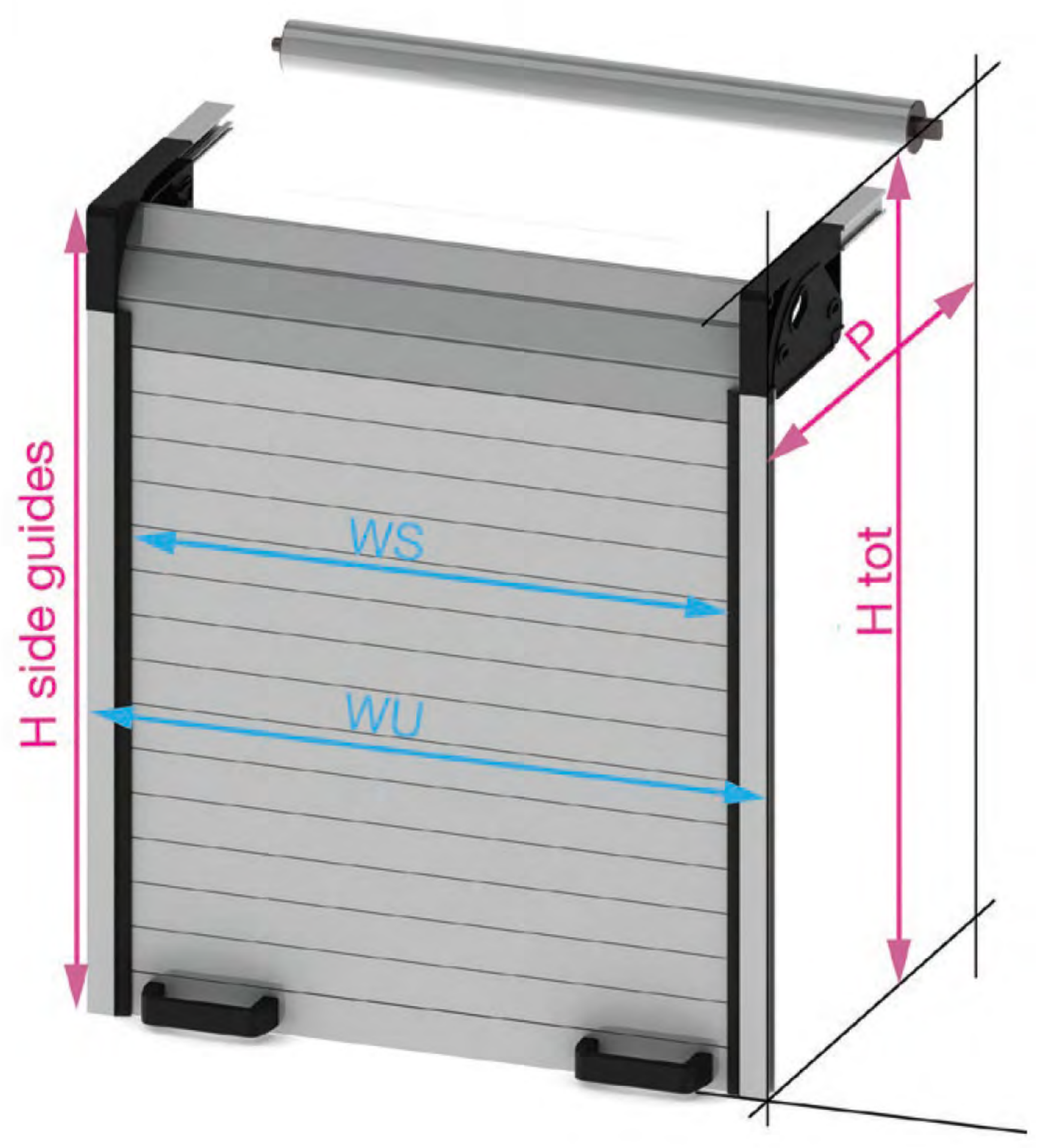
SRS ECO PLUS



SRS ECO SIMPLY



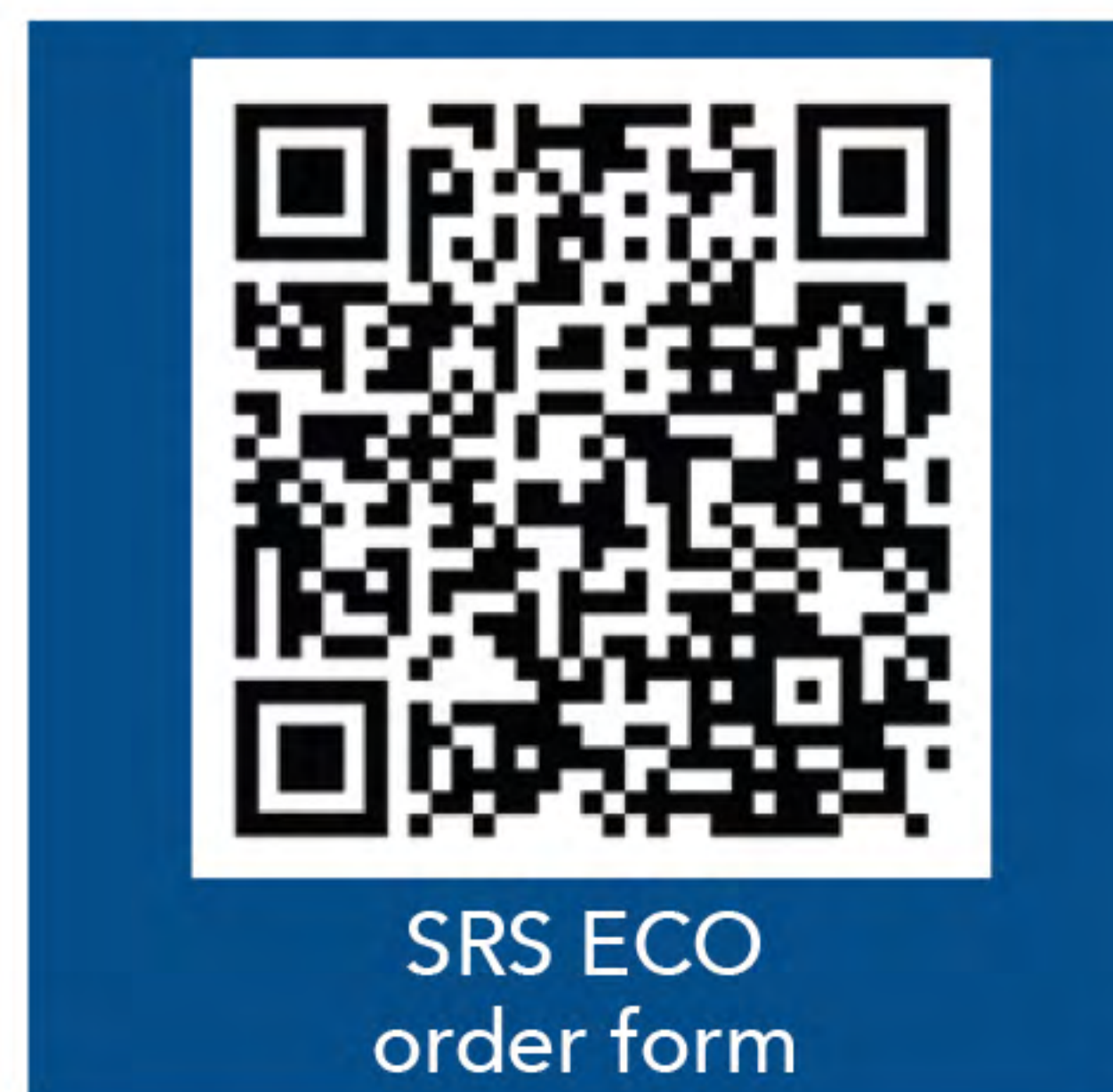
SRS ECO SIMPLY PLUS



SRS TOP order form



SRS TOP-E order form



SRS ECO order form



SRS ECO SIMPLY order form



SRS[®]
ROLLER SHUTTERS

Via B. Castelli, 44-46-48
25010 Montirone (BS) Italia
Tel. +39 030-2677496
Fax +39 030-2170480

www.serenaproduction.it
www.srs-shutters.com

Email: sales@srs-shutters.com
info@serenaproduction.it

 @Serenaproduction

 /company/serena-production/

FIRECO SRL
Via E. Fermi, 56
25064 GUSSAGO (BS)
IT - ITALIA
Tel.: +39 030 3733916
Fax : +39 030 3733762
www.fireco.eu
info@fireco.it

HISPAMAST, S.L.
C/Estaño, 30
28510 Campo Real
ES - ESPAÑA
Tel.: +34 918 733733
Fax: +34 918 765141
www.hispamast.com
info@hispamast.com

EUROMAST S.A.R.L.
Savoie hexapole,
101 Rue Louis Armand, 73420 Mery
FRANCE
Tel.: +33 4 79349215
Fax: +33 4 793492 16
www.euromast.fr
fireco@euromast.fr

FIRECO SYSTEMS N.V.
Diestersteenweg 142
3510 KERMT
BE - BELGIUM
Tel.: +32 11 851602
Fax : +32 11 851604
www.fireco.be
info@fireco.be

FIRECO ASIA
No. 9, Jalan TP 3/2 Taman
Perindustrian UEP
47620 SUBANG JAYA - MALAYSIA (MY)
Tel.: +603 8011 2300
Fax: +603 8812367
www.fireco-asia.com
gc@fireco-asia.com

Fireco US
1740 N. Gateway Boulevard
Fresno, California 93727
USA
Tel.: +1 559 353-2823
Fax: +1 559 255-7012
info@firecousa.com
www.firecousa.com