

SRS ECO PLUS



SRS ECO PLUS



The aluminium roller shutter model ECO PLUS is assembled with profiles H30 or H38, is realized with the required heights in extruded shapes and special characteristics. It can be used for medium compartments, in substitution to troublesome leaf-doors. Usually, the roller shutters are delivered silver anodized or RAL 7035 painted, or on demand painted in different RAL colours.

The ECO PLUS shutters have a special wrapping roll Ø45, pre-set in accordance to the shutters dimensions and have special guides, as the ECO model. When open the shutter will lay flat horizontally under the roof and the eventual surplus length will lay vertically in the rear part.

This sliding system is recommended for areas of max. 1,5m². Its characteristics are reliability, quality and design.

The roller shutter will be delivered divided into parts, which can be easily assembled:

- 1 pre-assembled shutter complete with closing system with or without key
 - 1 pair of vertical guides
 - 1 pair of curves (entire or separate)
 - 2 eventual sliding extensions, to be put between the curves, when the curves are separate
 - 1 box with accessories
- + **Required optionals**

USEFUL AREA	Weight of roller shutter for 1m ²
Max. recommended area 1,5 m ²	H30 = 13Kg
	H38 = 11Kg



CLOSING SYSTEMS



T1 closing system with or without key. As optional it can be supplied with grip profile.



T2 closing system with or without key. As optional it can be supplied with grip profile.

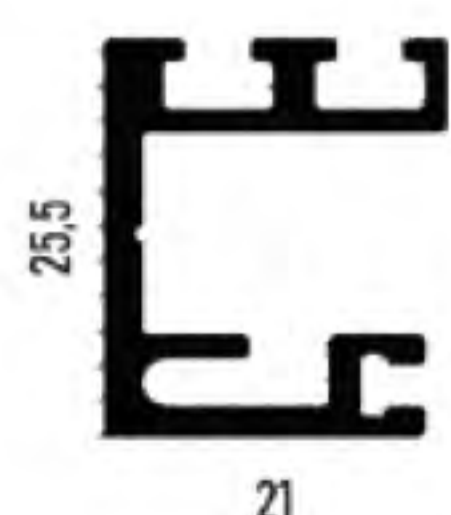


T3 closing system with or without key. It is supplied with grip profile.

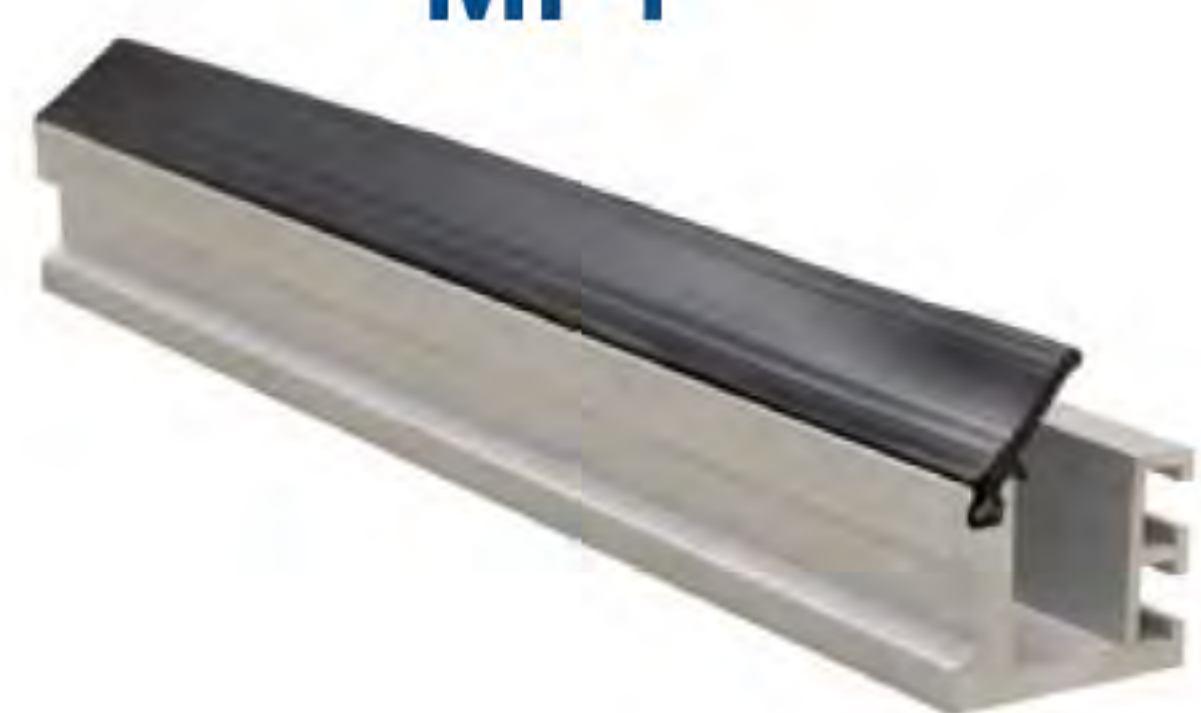


T5 (Tribarlock) closing system with or without key. It is supplied with grip profile.

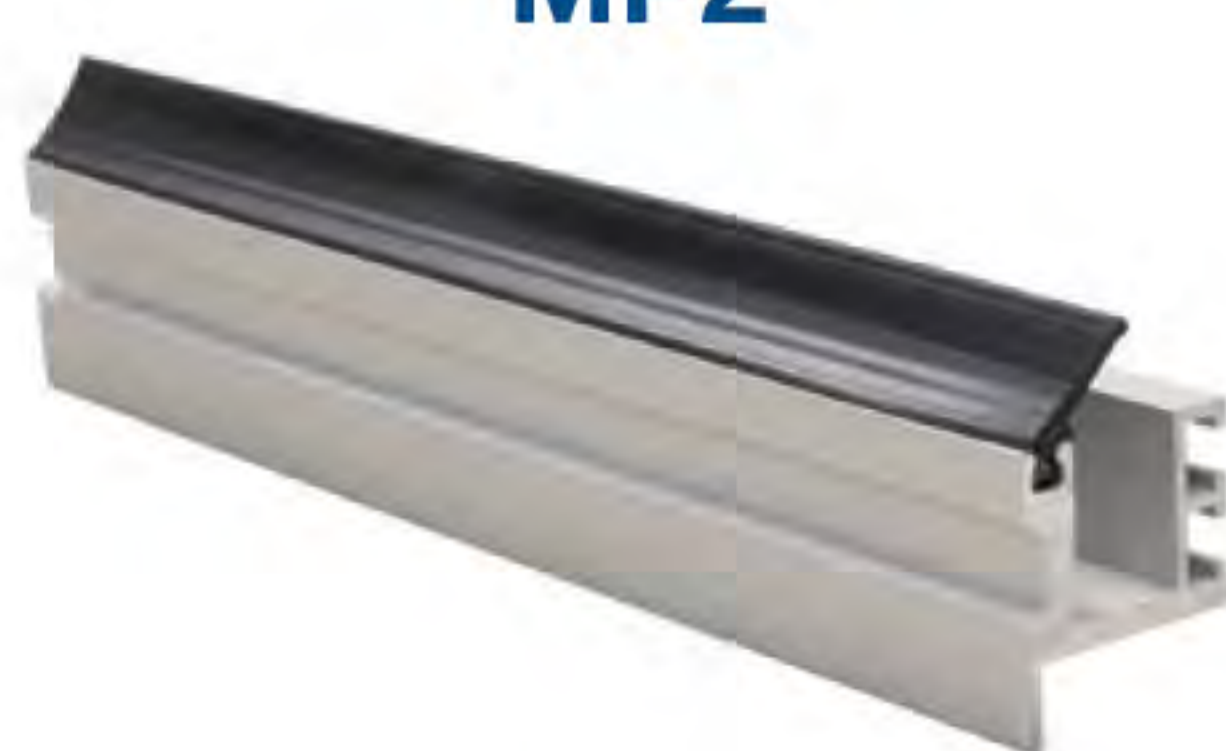
AVAILABLE GUIDE PROFILES



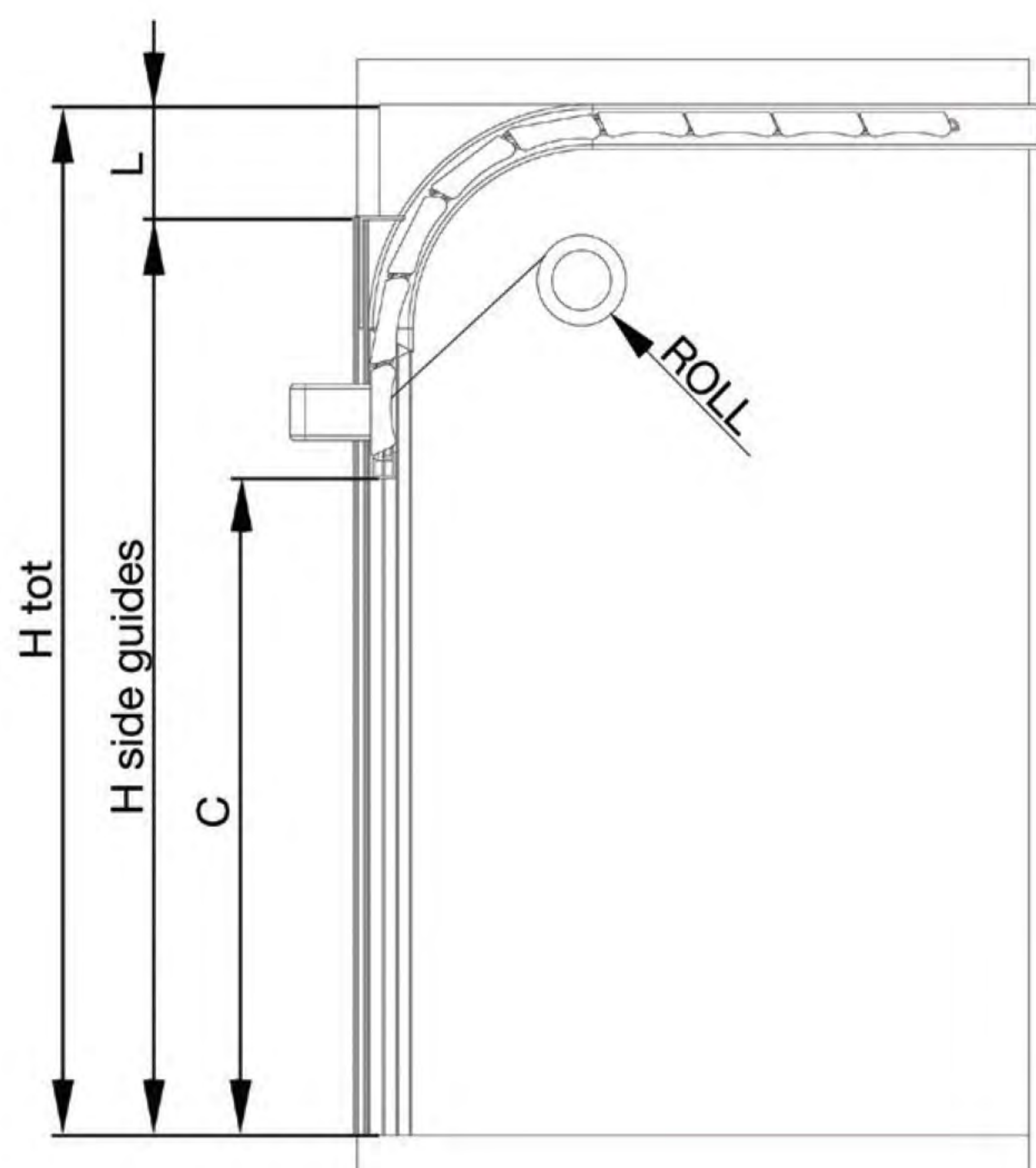
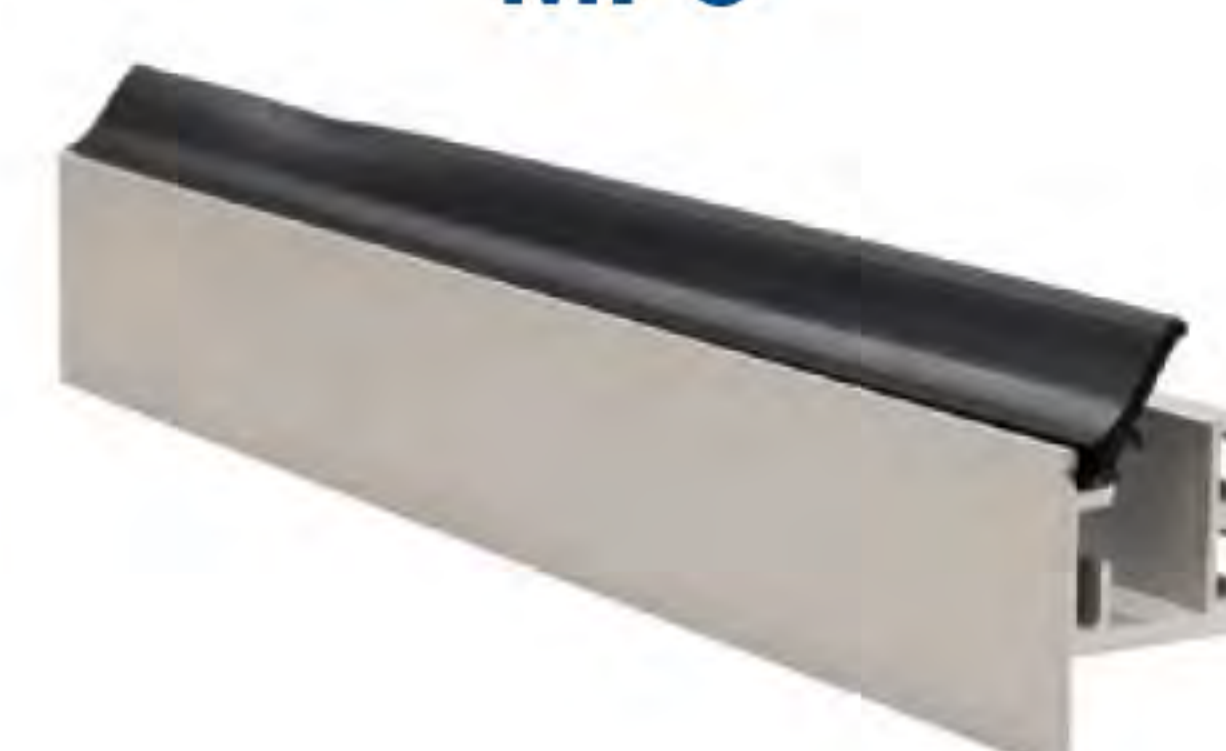
MP1



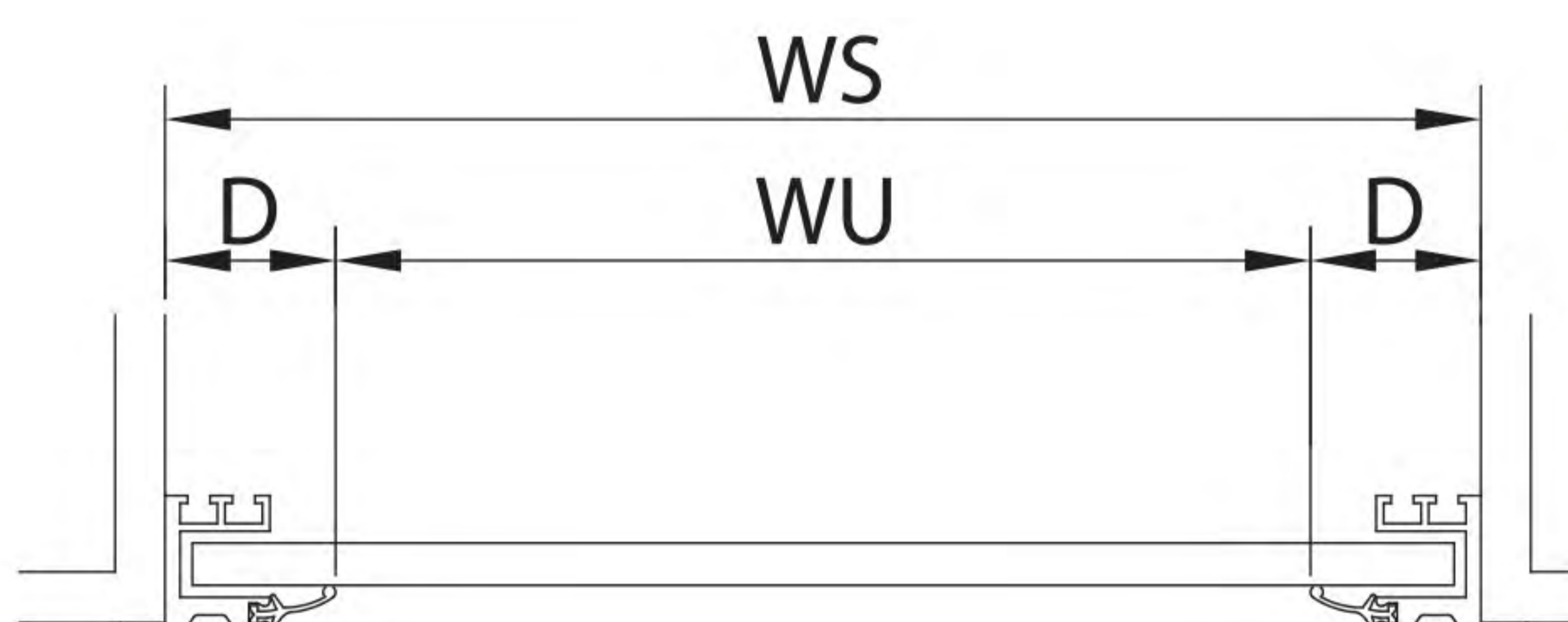
MP2

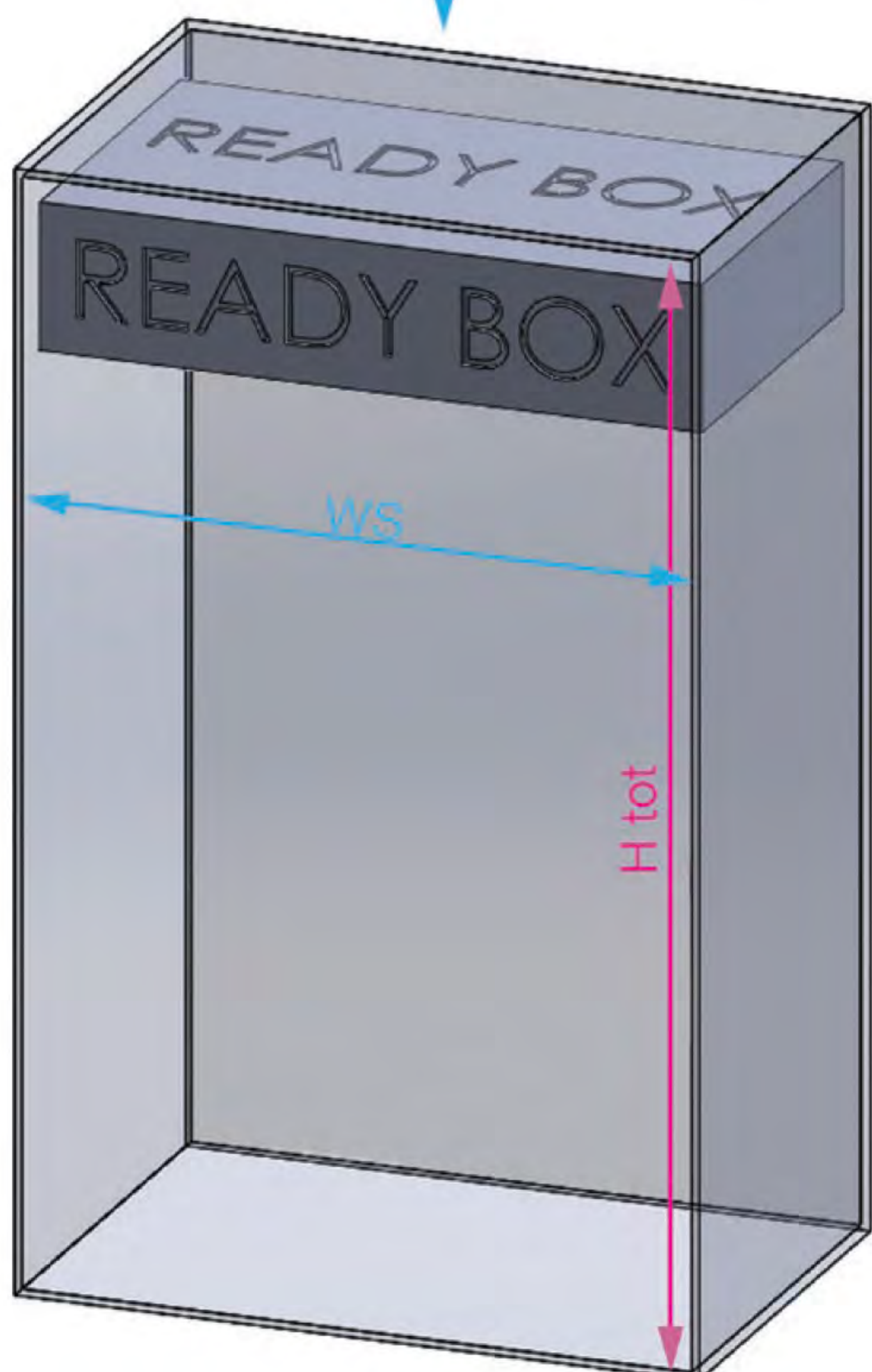
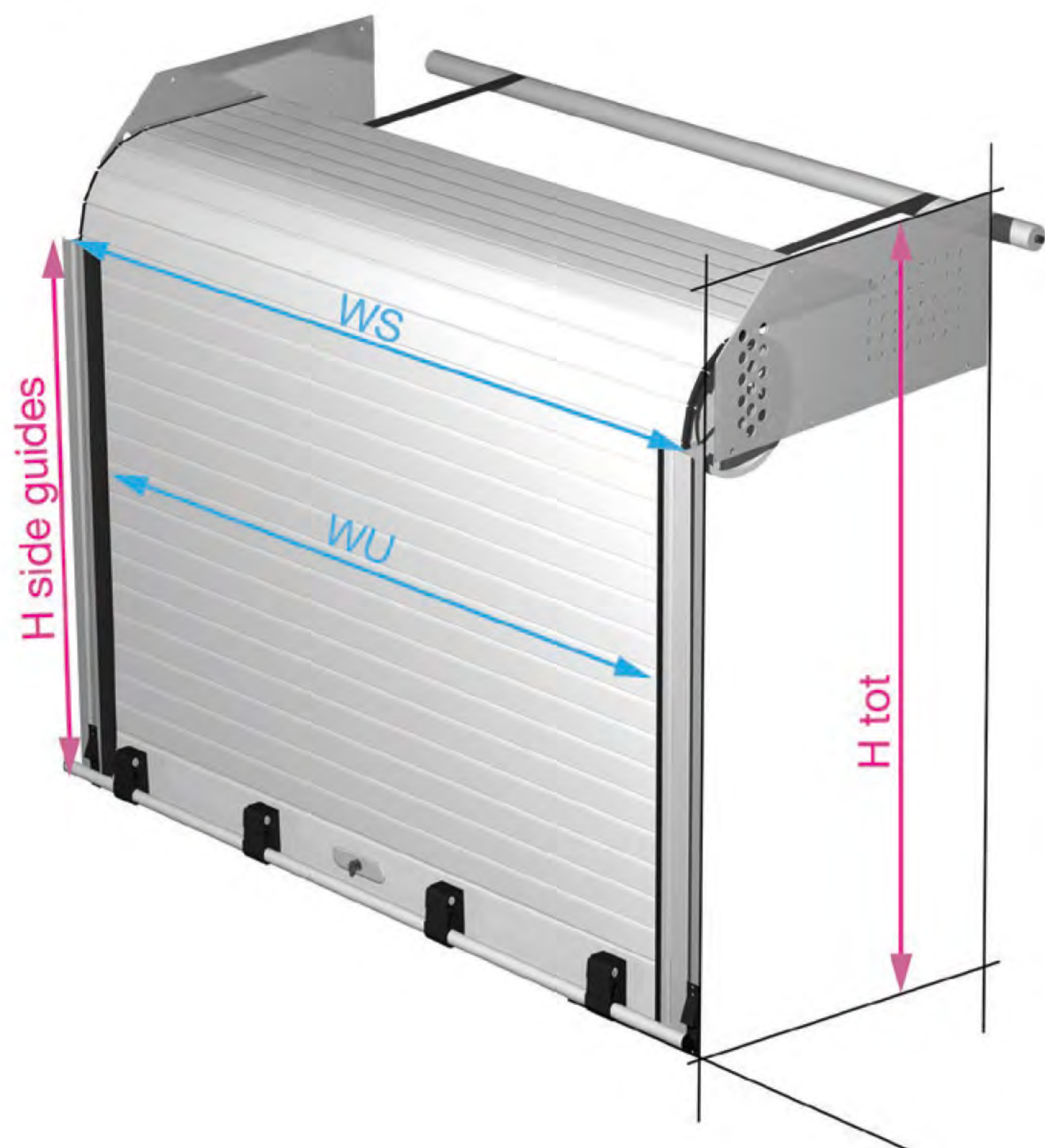


MP5



MEASUREMENTS	
H tot	Total height
H guides	Side guides height
L	Sliding room
C	Light height
WU	Light width
WS	Total width
D	Guide and gasket edge





View mounting instruction video MP4

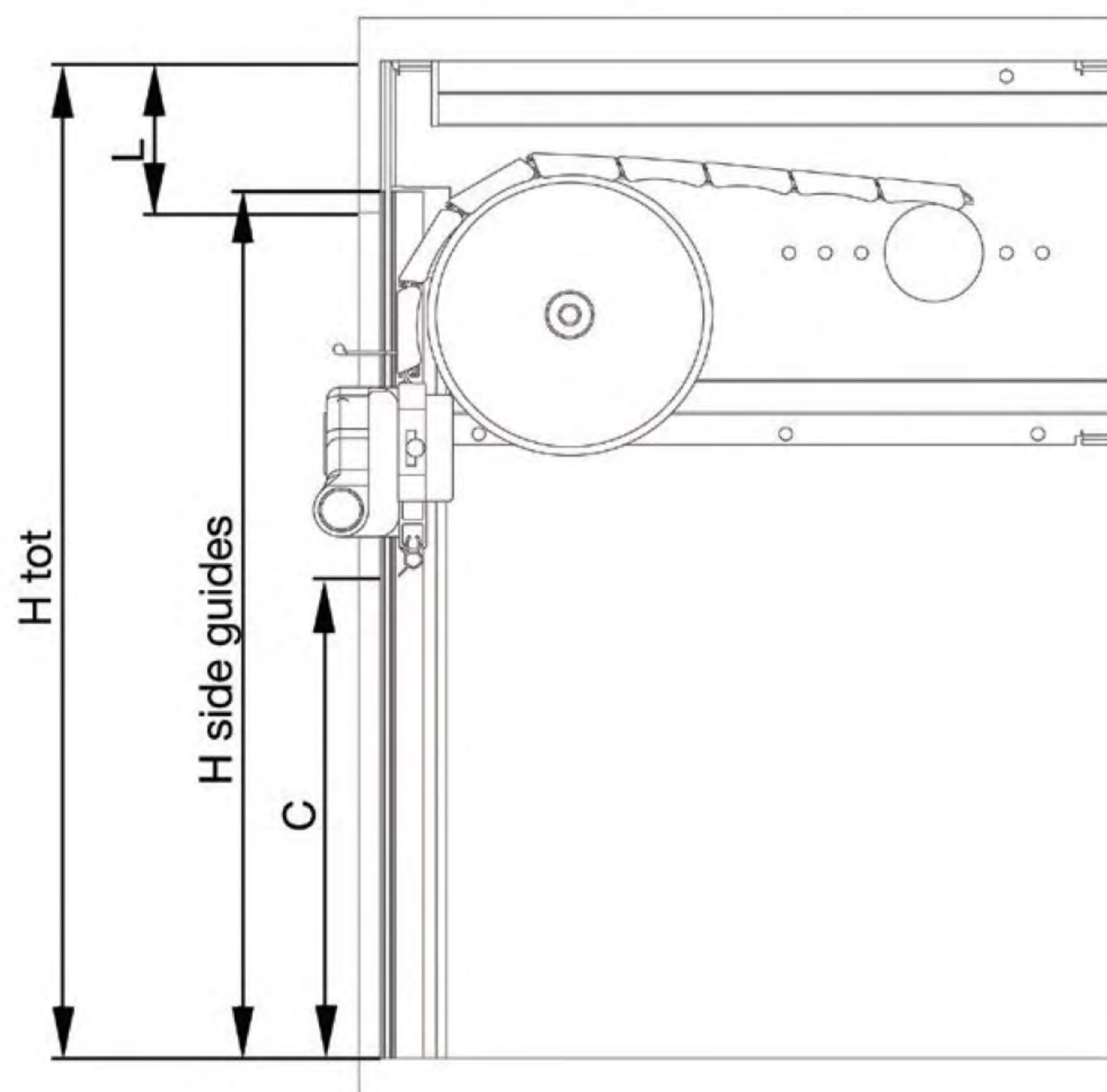


View mounting instruction video MP5

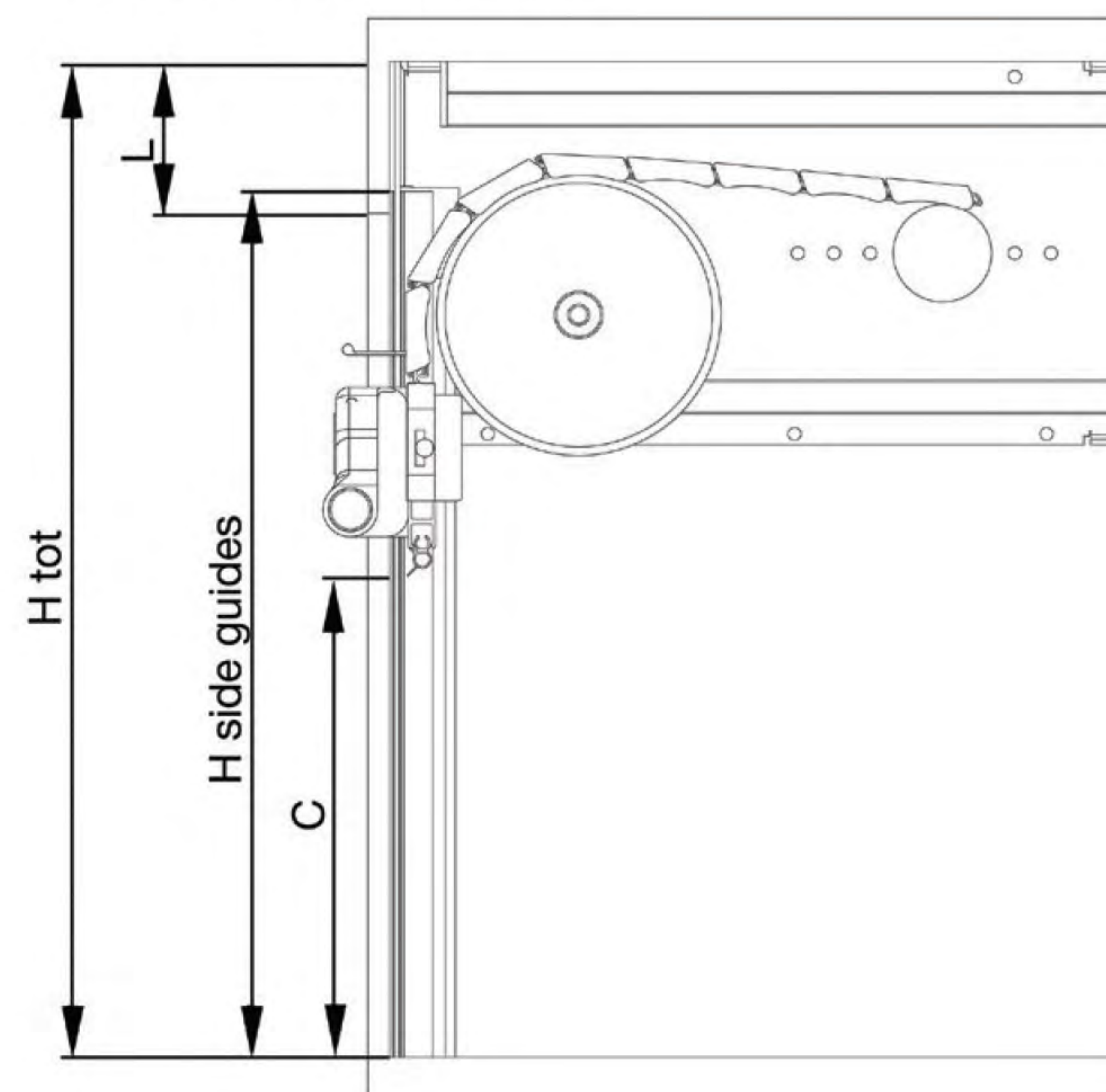
MEASURING

MEASUREMENTS	
H tot	Total height
H guides	Side guides height
L	Sliding room
C	Light height
WU	Light width
WS	Total width

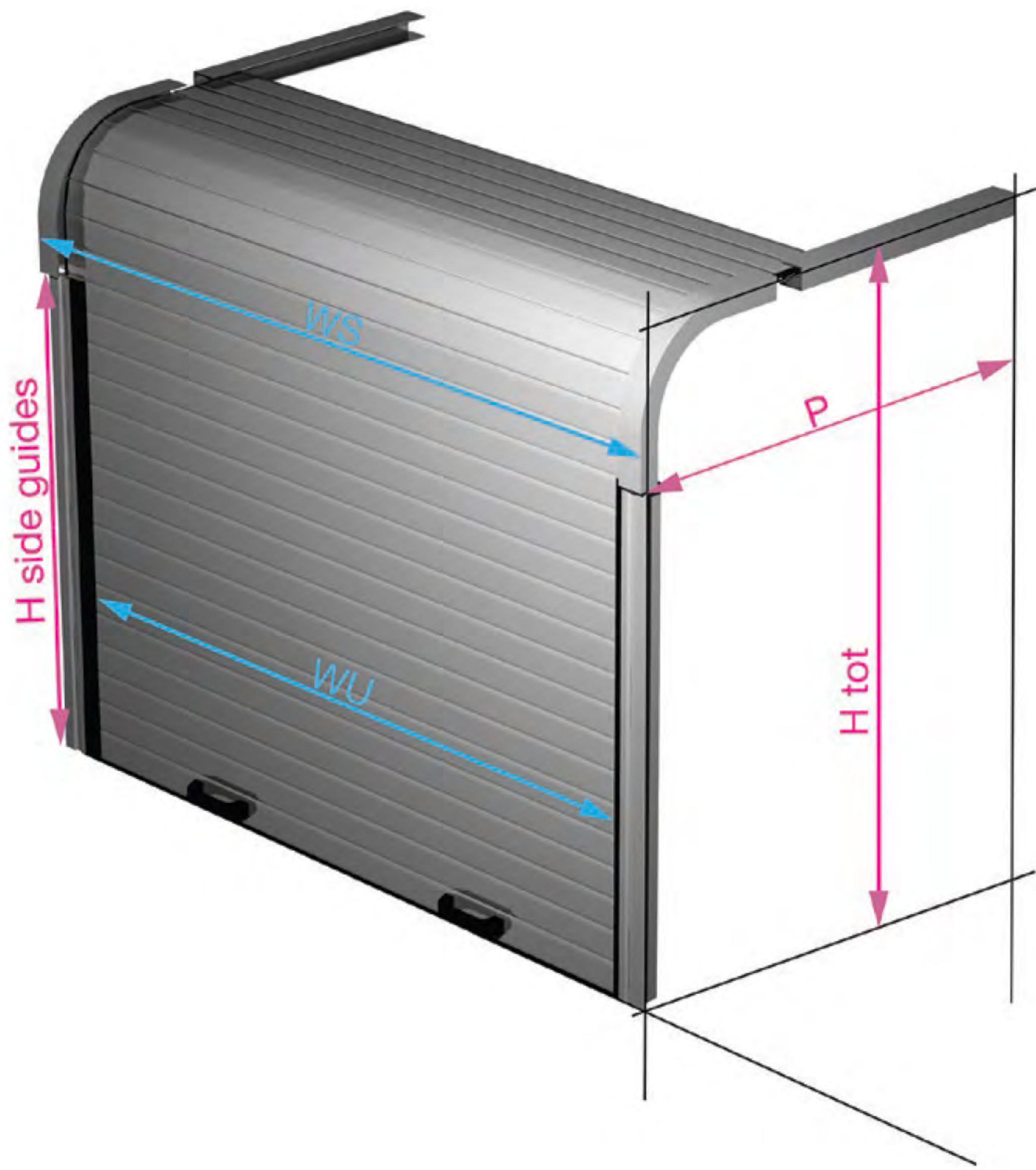
SRS TOP READY MP4



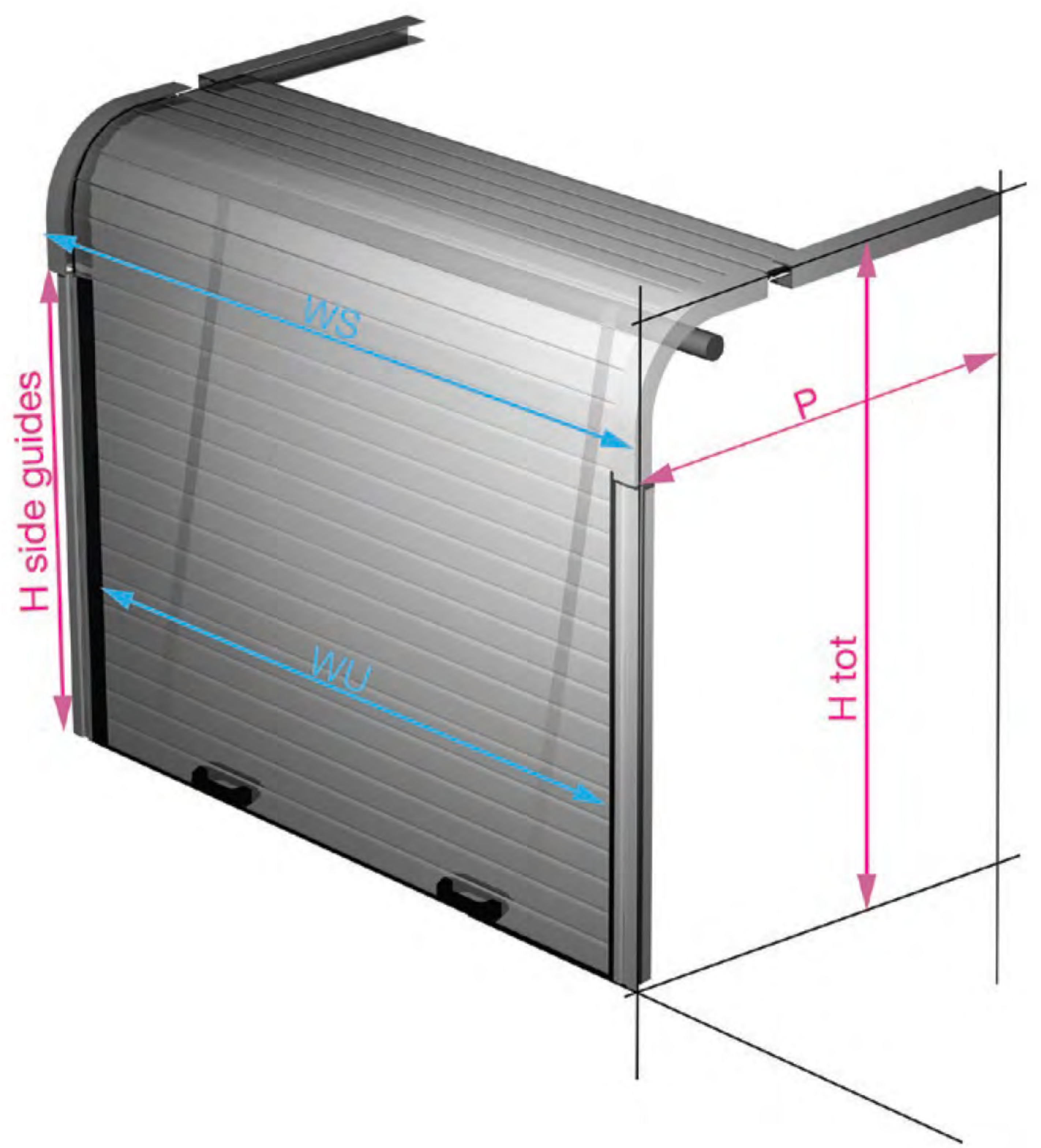
SRS TOP READY MP5



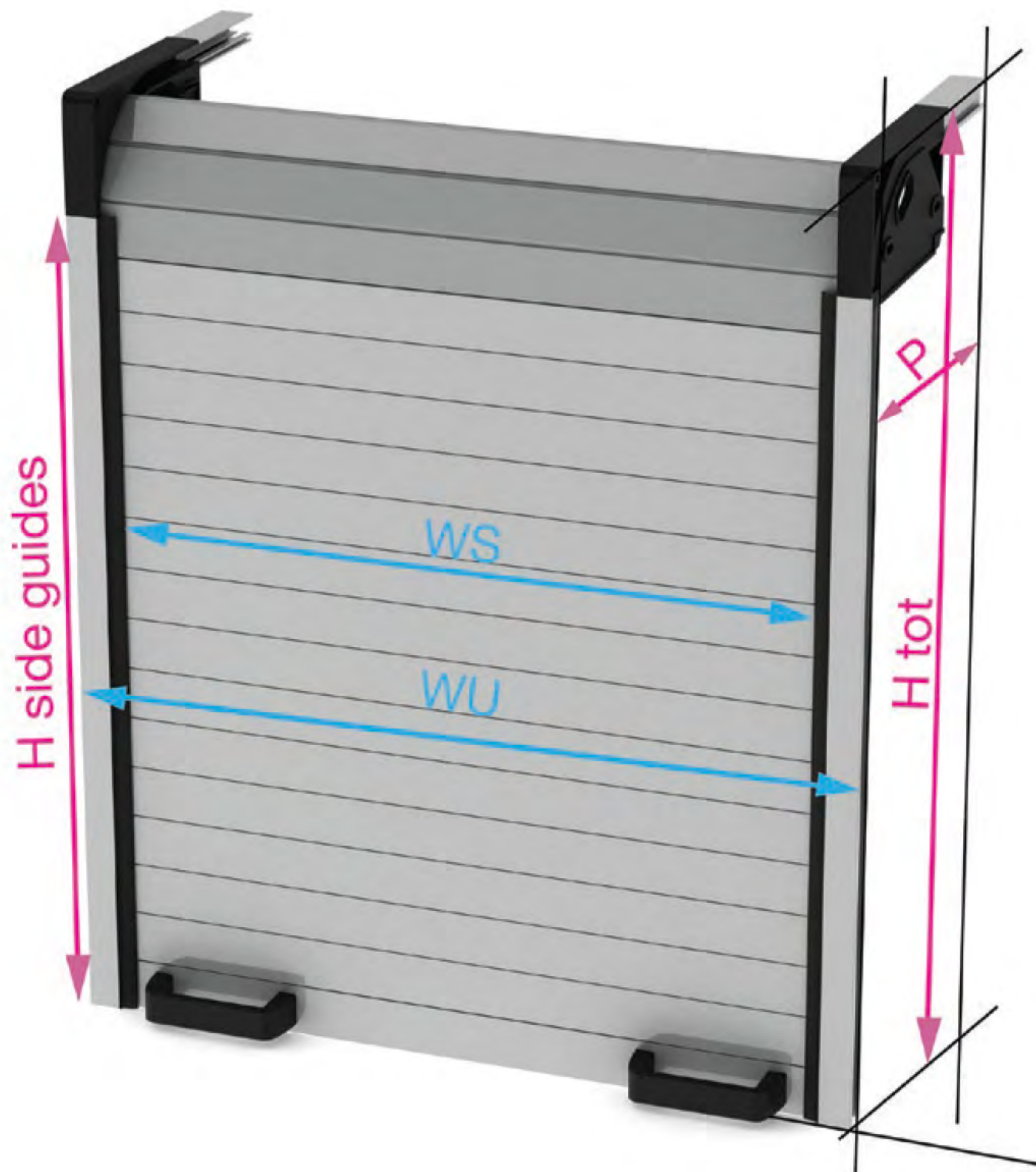
SRS ECO



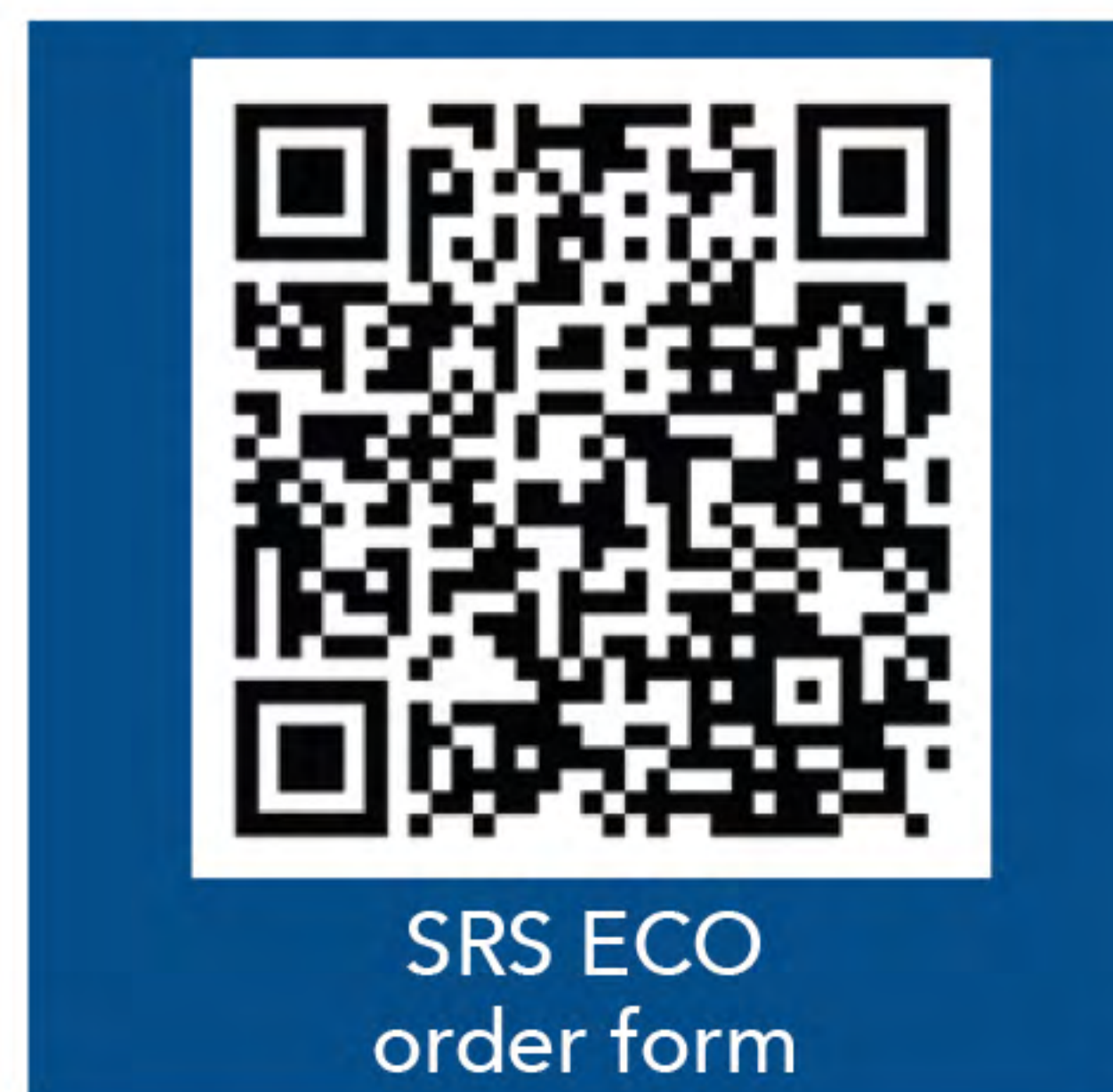
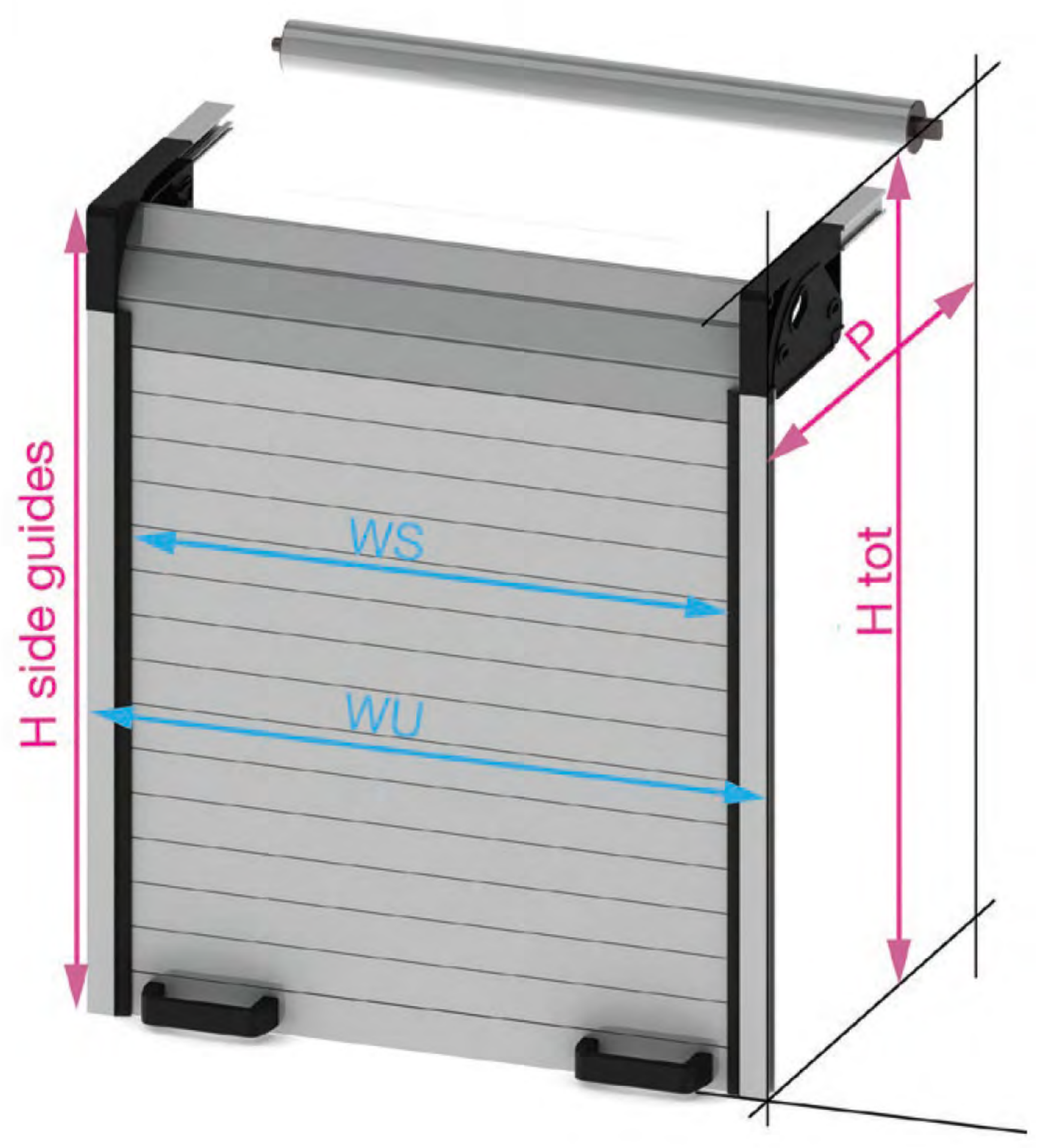
SRS ECO PLUS



SRS ECO SIMPLY



SRS ECO SIMPLY PLUS





SRS[®]

ROLLER SHUTTERS

Via B. Castelli, 44-46-48
25010 Montirone (BS) Italia
Tel. +39 030-2677496
Fax +39 030-2170480

www.serenaproduction.it
www.srs-shutters.com

Email: sales@srs-shutters.com
info@serenaproduction.it

 @Serenaproduction

 /company/serena-production/

FIRECO SRL
Via E. Fermi, 56
25064 GUSSAGO (BS)
IT - ITALIA
Tel.: +39 030 3733916
Fax : +39 030 3733762
www.fireco.eu
info@fireco.it

HISPAMAST, S.L.
C/Estaño, 30
28510 Campo Real
ES - ESPAÑA
Tel.: +34 918 733733
Fax: +34 918 765141
www.hispamast.com
info@hispamast.com

EUROMAST S.A.R.L.
Savoie hexapole,
101 Rue Louis Armand, 73420 Mery
FRANCE
Tel.: +33 4 79349215
Fax: +33 4 793492 16
www.euromast.fr
fireco@euromast.fr

FIRECO SYSTEMS N.V.
Diestersteenweg 142
3510 KERMT
BE - BELGIUM
Tel.: +32 11 851602
Fax : +32 11 851604
www.fireco.be
info@fireco.be

FIRECO ASIA
No. 9, Jalan TP 3/2 Taman
Perindustrian UEP
47620 SUBANG JAYA - MALAYSIA (MY)
Tel.: +603 8011 2300
Fax: +603 8812367
www.fireco-asia.com
gc@fireco-asia.com

Fireco US
1740 N. Gateway Boulevard
Fresno, California 93727
USA
Tel.: +1 559 353-2823
Fax: +1 559 255-7012
info@firecousa.com
www.firecousa.com