

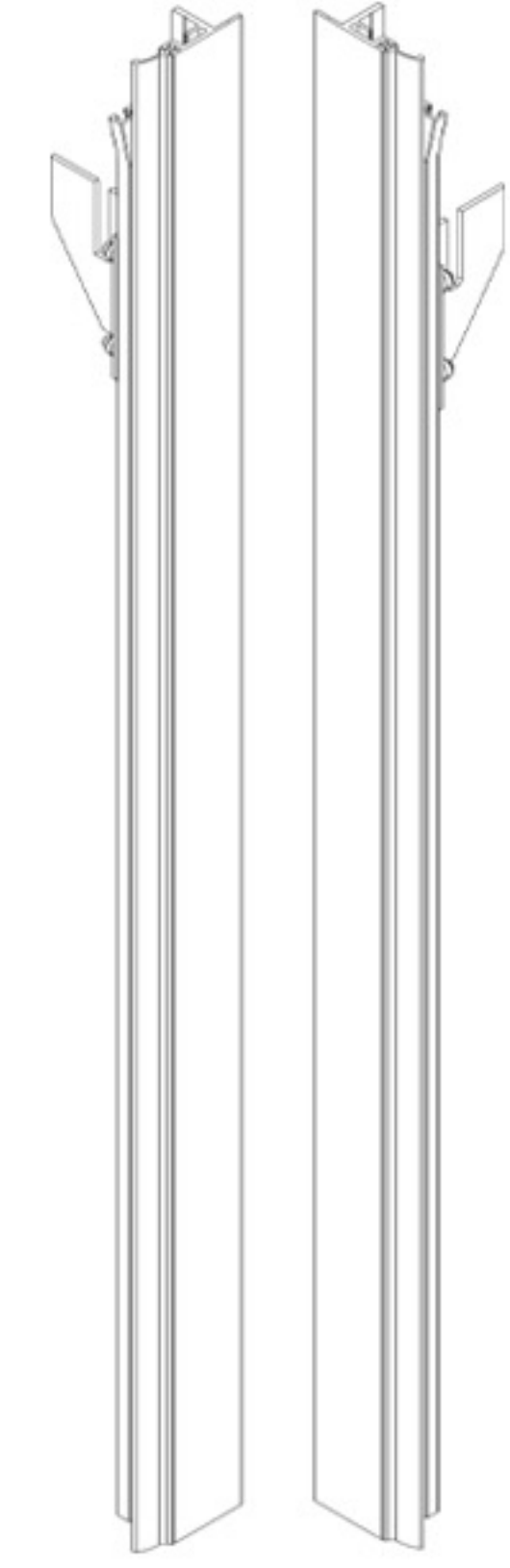


**Installation
instruction
TOP
READY**

Common parts

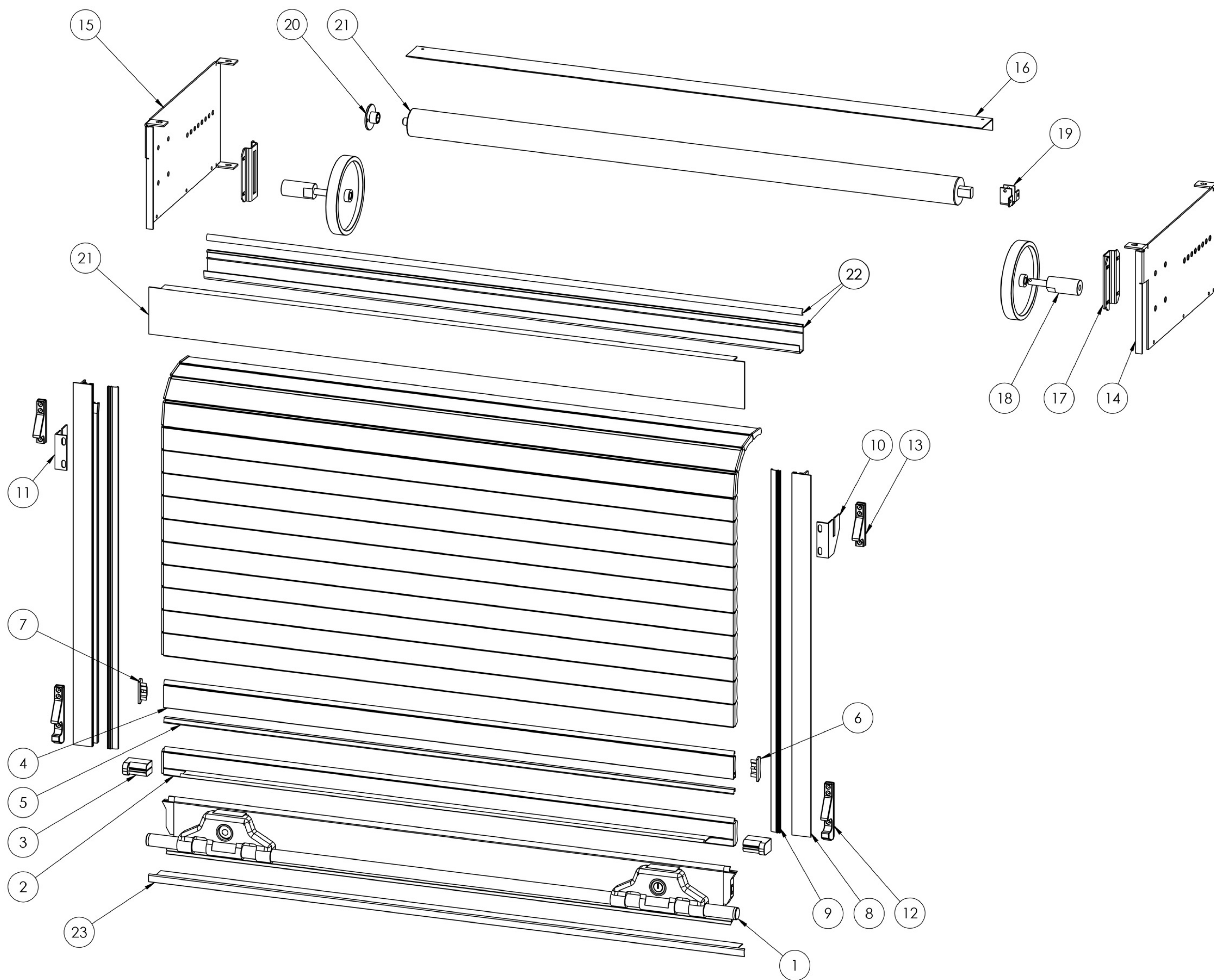


Premounted Shutters

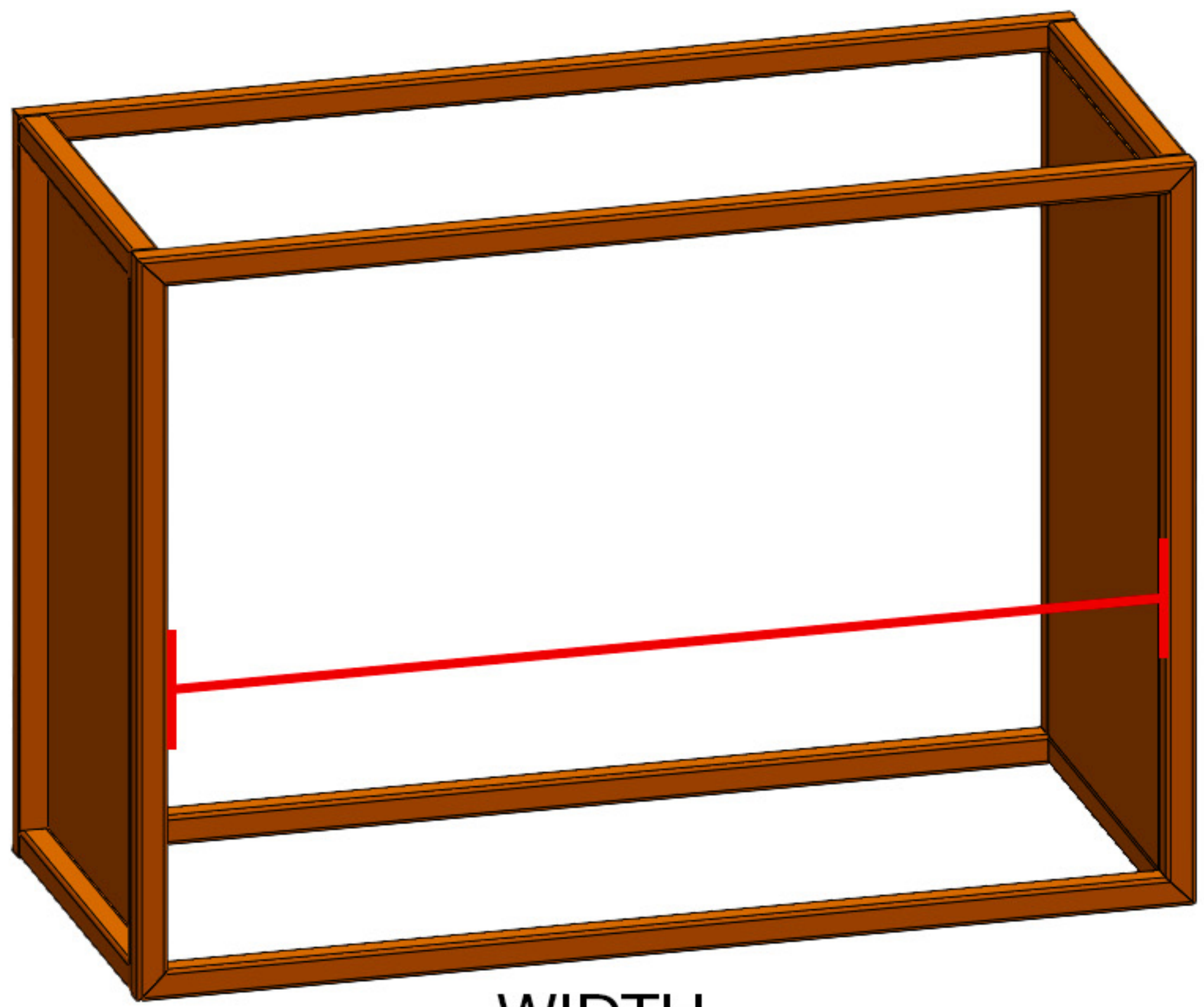


Pair of guides

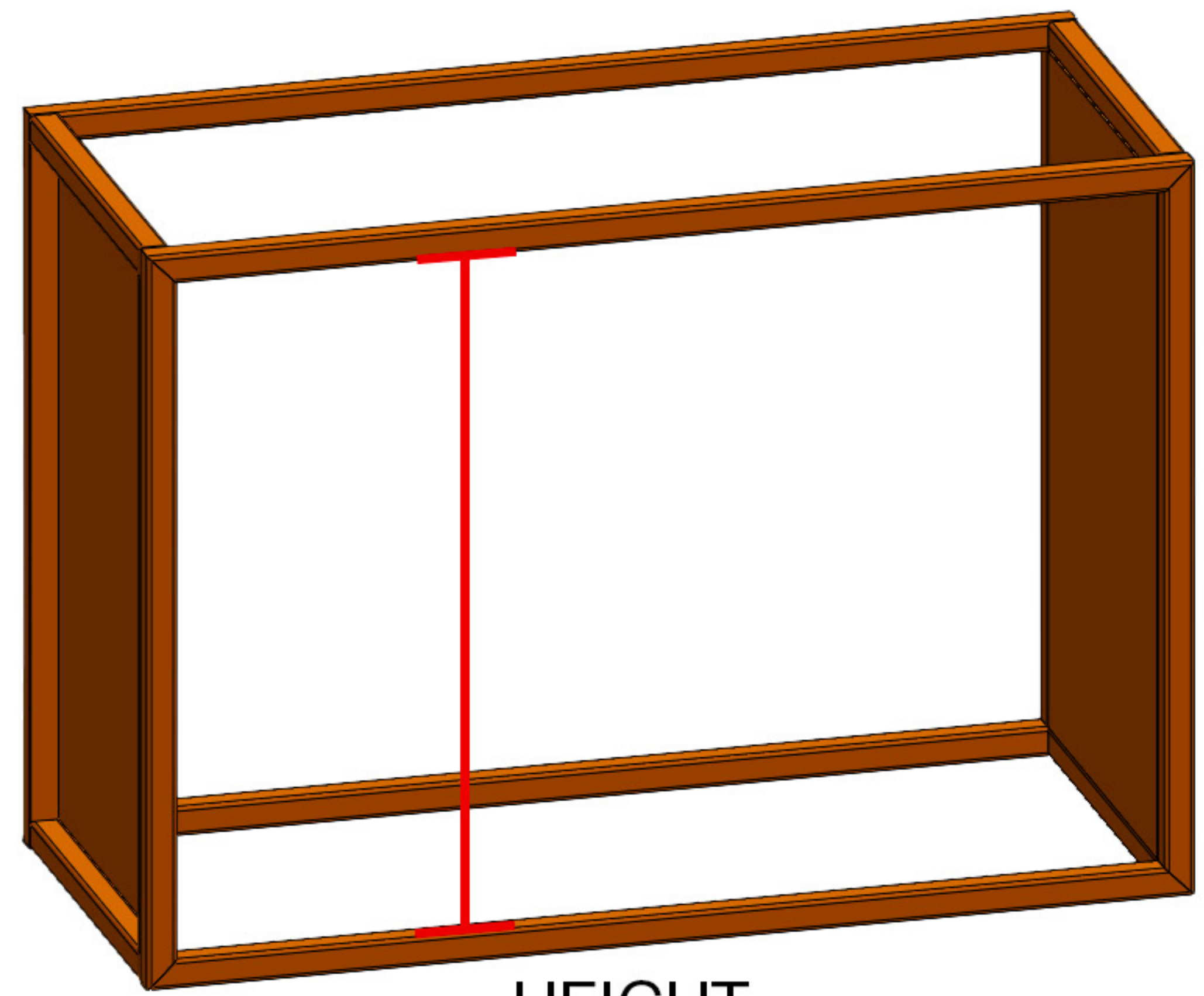
Num. Art.	Codice Code	Descrizione	Description	Q.tà Q.ty
1	70500	Terminale T5	Closing system T5	1
2	70311	Profilo di presa	Grip profile	1
3	70311.B	Blocchetto profilo di presa	Pad for grip profile	2
4	70001.30 70001.38	Profilo serranda H30 Profilo serranda H38	Shutter profile H30 Shutter profile H38	N
5	70004	Gomma intermedia	Middle rubber for shutter profile	N
6	70002.DX.30 70002.DX.38	Pattino destro H30 Pattino destro H38	Right sliding plate H30 Right sliding plate H38	N
7	70002.SX.30 70002.SX.38	Pattino sinistro H30 Pattino sinistro H38	Left sliding plate H30 Left sliding plate H38	N
8	70003.MP5	Guida MP5	Side guide MP5	2
9	70005	Gomma guide di tenuta anteriore	Seal rubber	2
10		Staffa di rinforzo destra		1
11		Staffa di rinforzo sinistra		1
12	70308	Aglas inferiore	Lower locking	2
13	70309	Aglas superiore	Upper locking	2
14	70019.MP5.DX	Piastra Ready MP5 (DX)	Fixing plate for Ready MP5 - R	1
15	70019.MP5.SX	Piastra Ready MP5 (SX)	Fixing plate for Ready MP5 - L	1
16	70019.TIR	Tirante per Ready (L. 50x20)		3
17	70035	Omega	Omega support	2
18	70022_128	Gruppo ruota ø128	Wheel group ø128	2
19	70017	Supporto per rullo D.45	Roll space	1
20	70018	Supporto perno con boccola per rullo D.45	Pin with bearing	1
21	70013	Angolare superiore 80x20	Little cover 80x20	1
22	70011.S 70011.B	Profilo gocciolatoio PICCOLO Profilo gocciolatoio GRANDE con gomma	SMALL gutter profile BIG gutter profile with rubber	1
23	70014.S 70014.B	Profilo battuta PICCOLO Profilo battuta GRANDE	SMALL lower profile BIG lower profile	1



1. Check that the internal measurements of the compartment are correct.

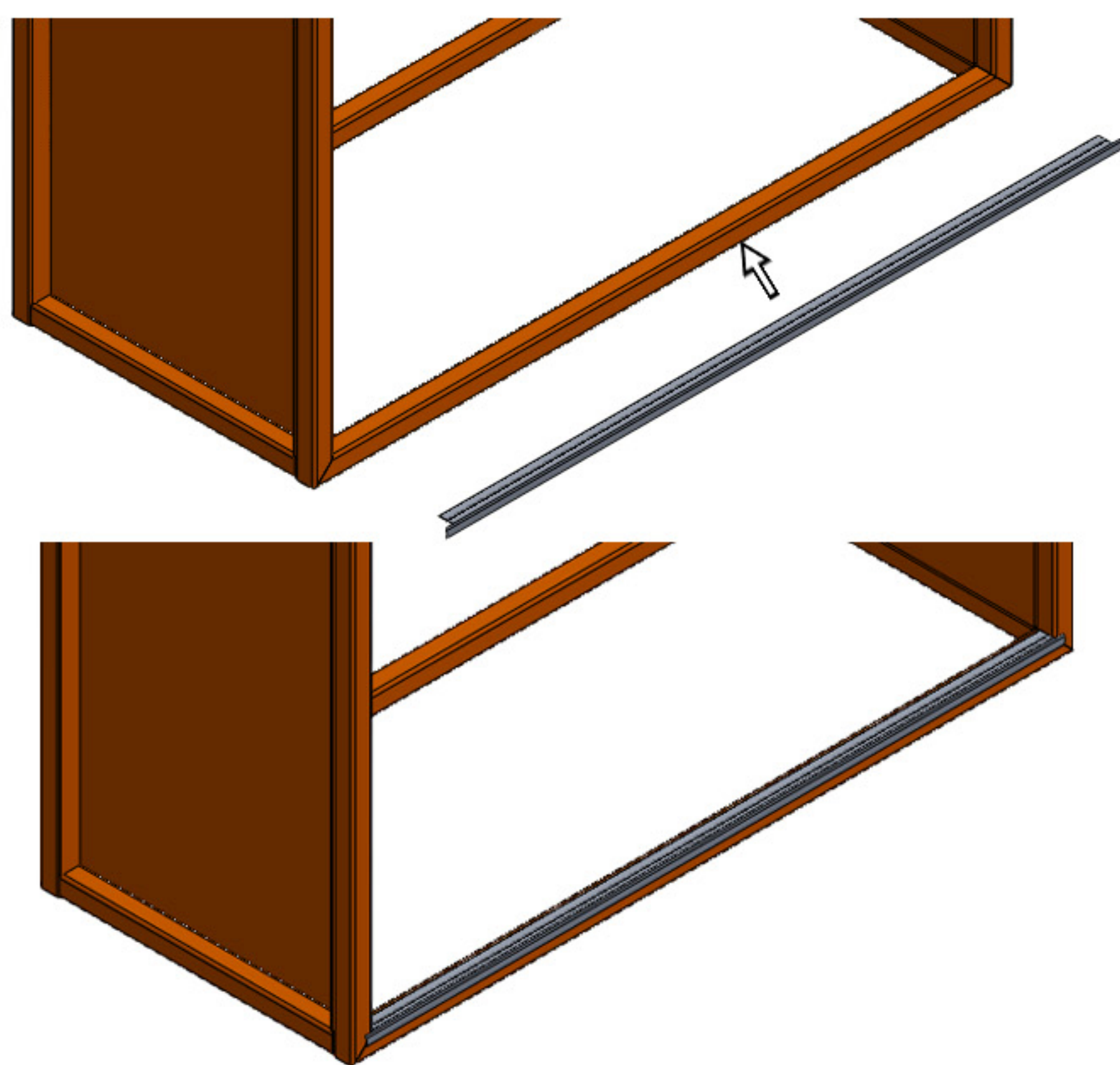


WIDTH

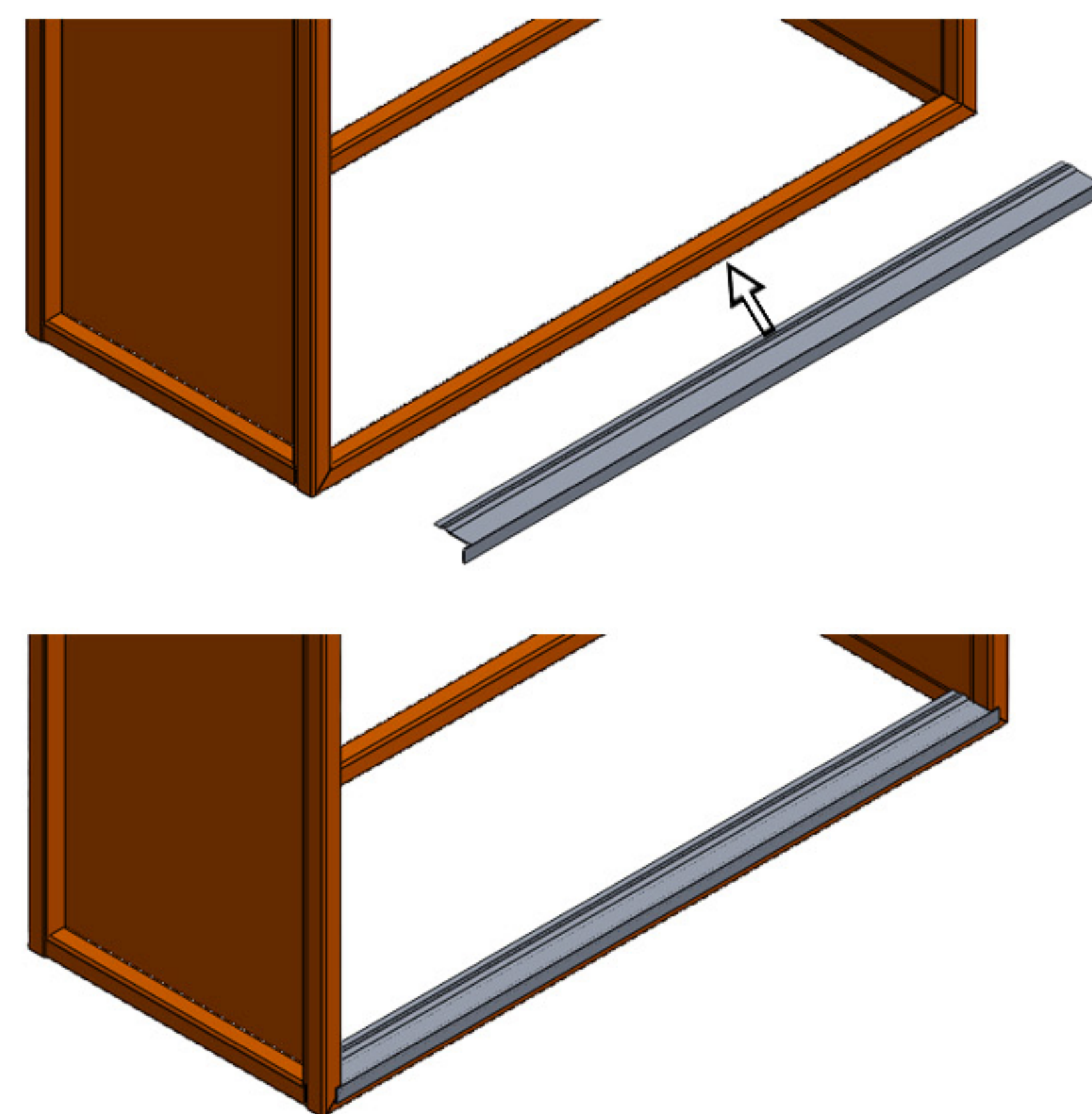


HEIGHT

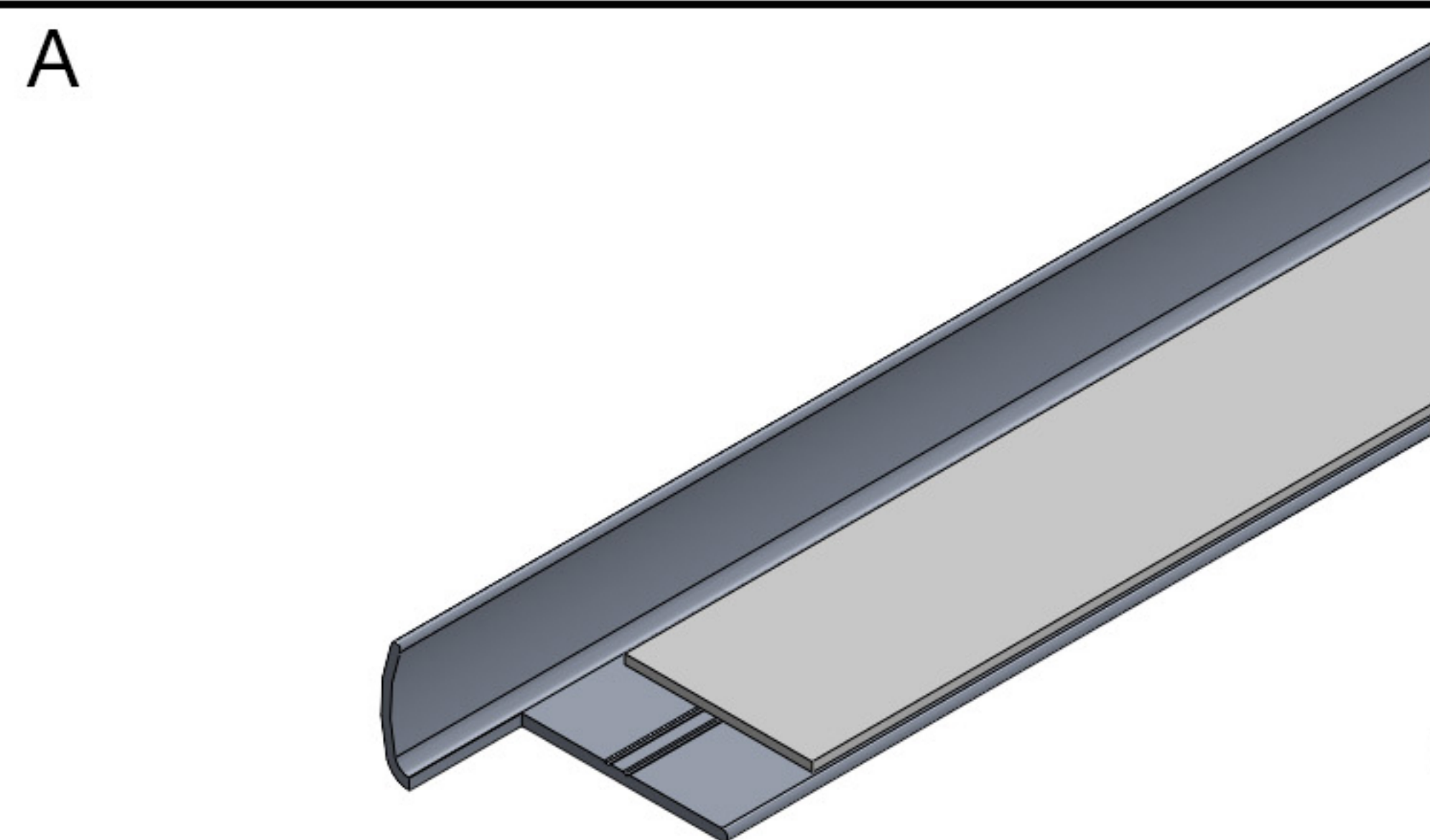
2. Drill and fix the lower profile (if requested), with the double-side tape already provided (A).



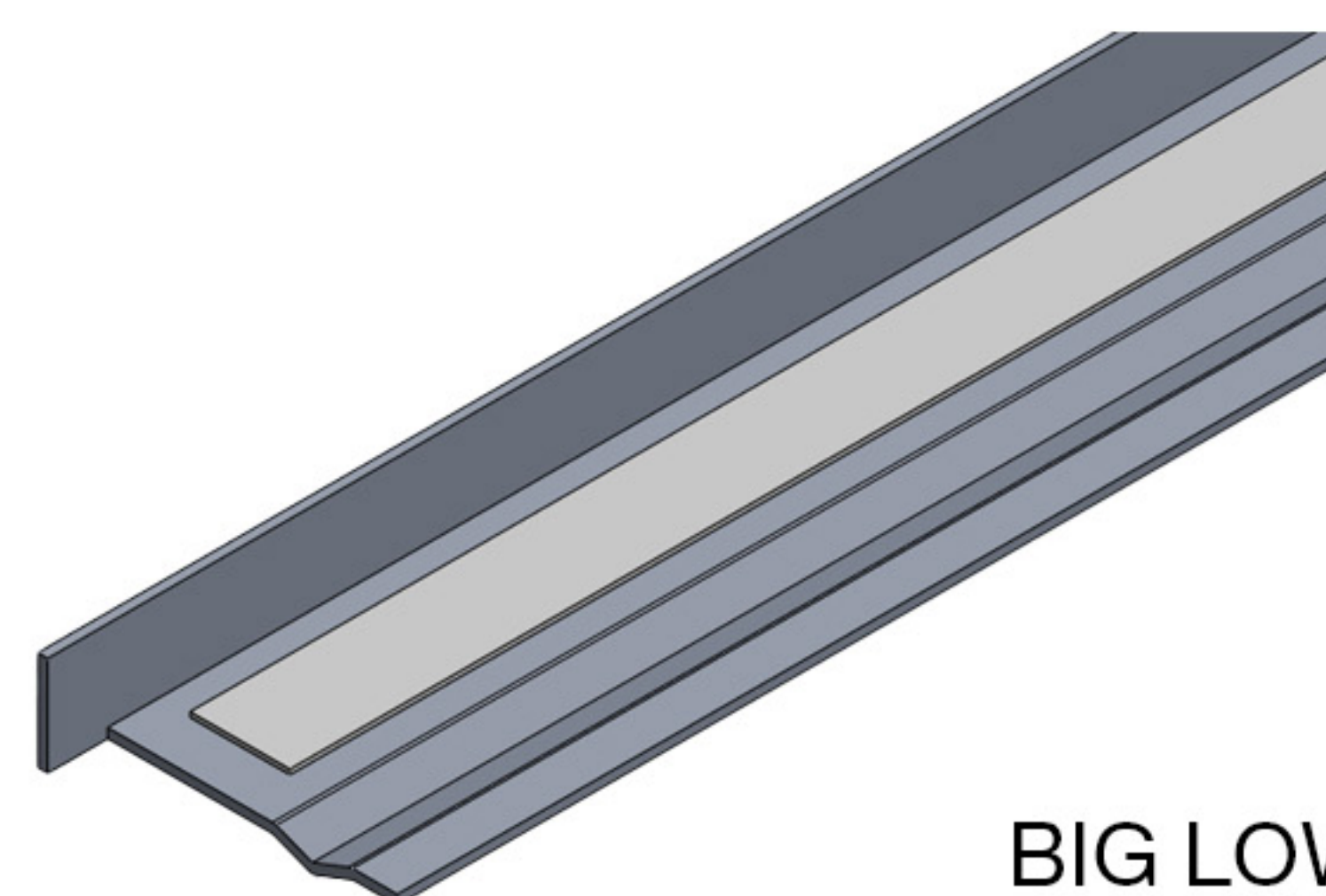
SMALL LOWER PROFILE



BIG LOWER PROFILE

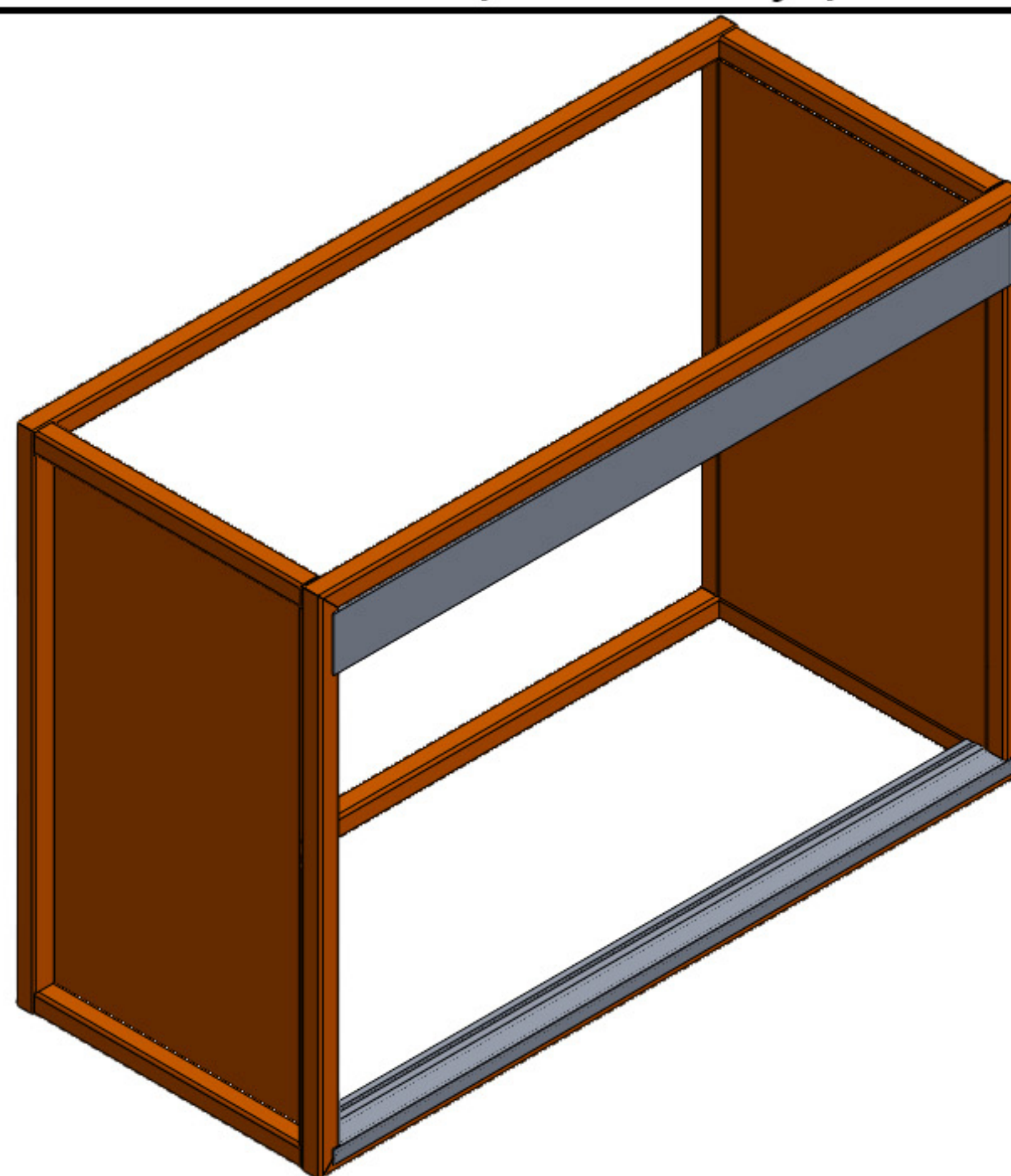
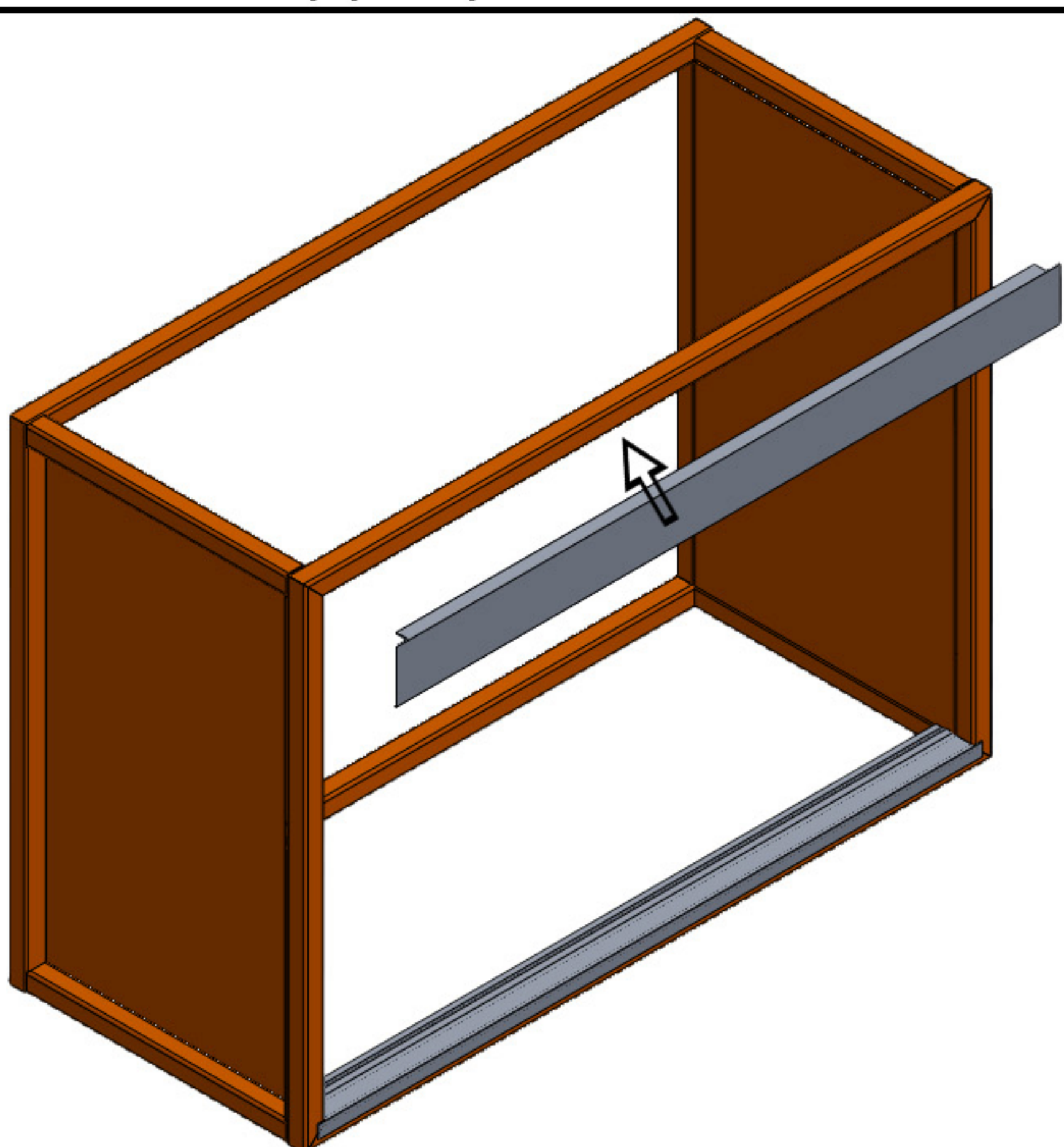


SMALL LOWER PROFILE

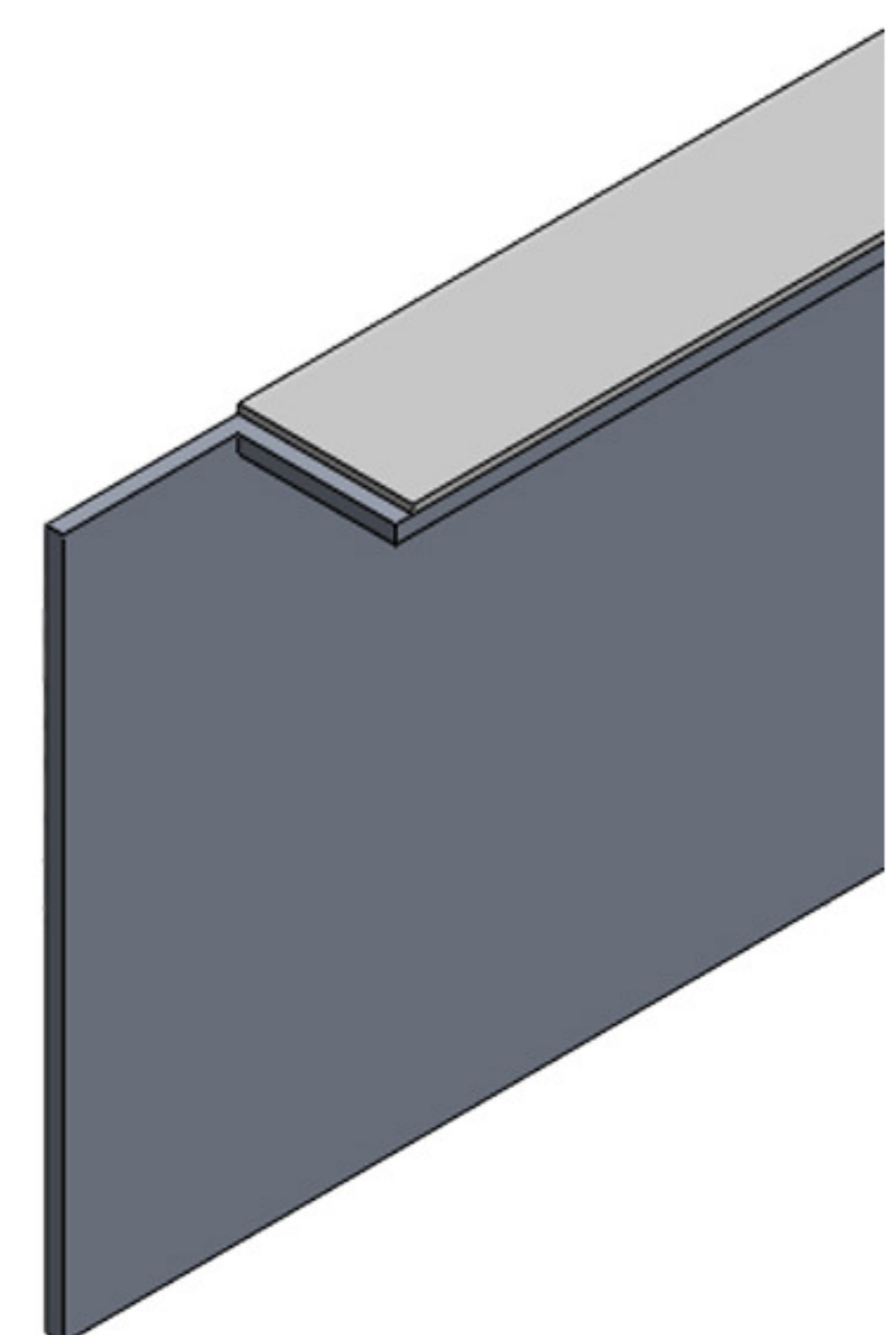


BIG LOWER PROFILE

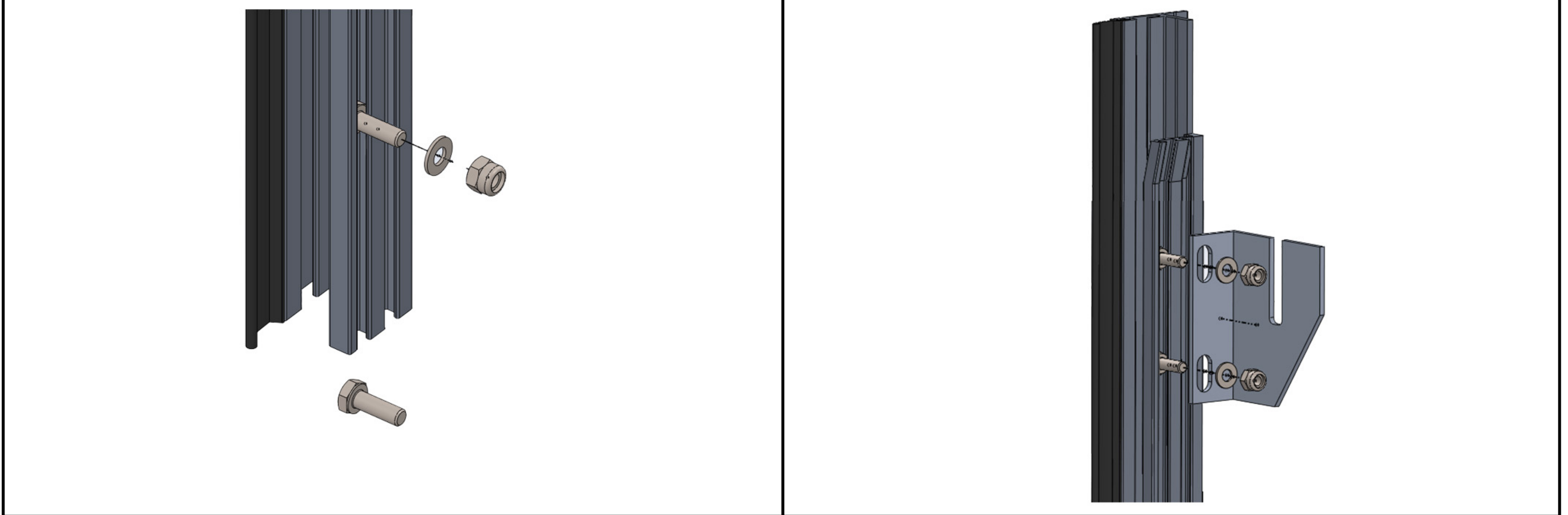
3. Fix the upper profile - Cover 80 x 20, with the double-side tape already provided (A).



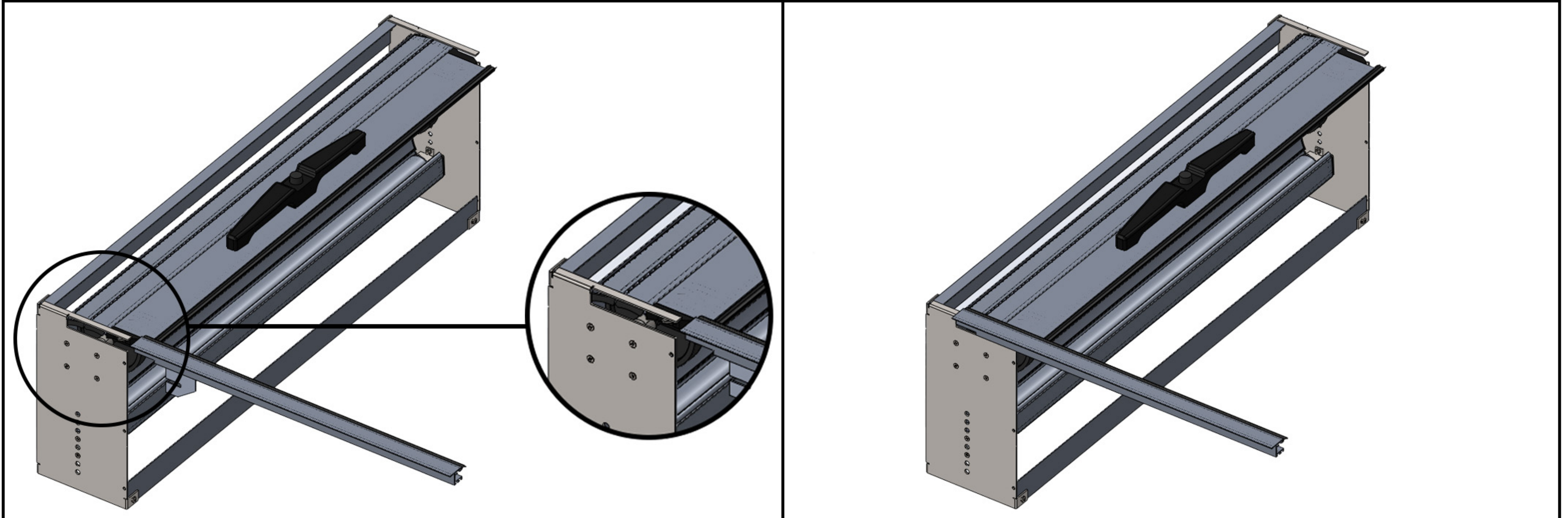
A



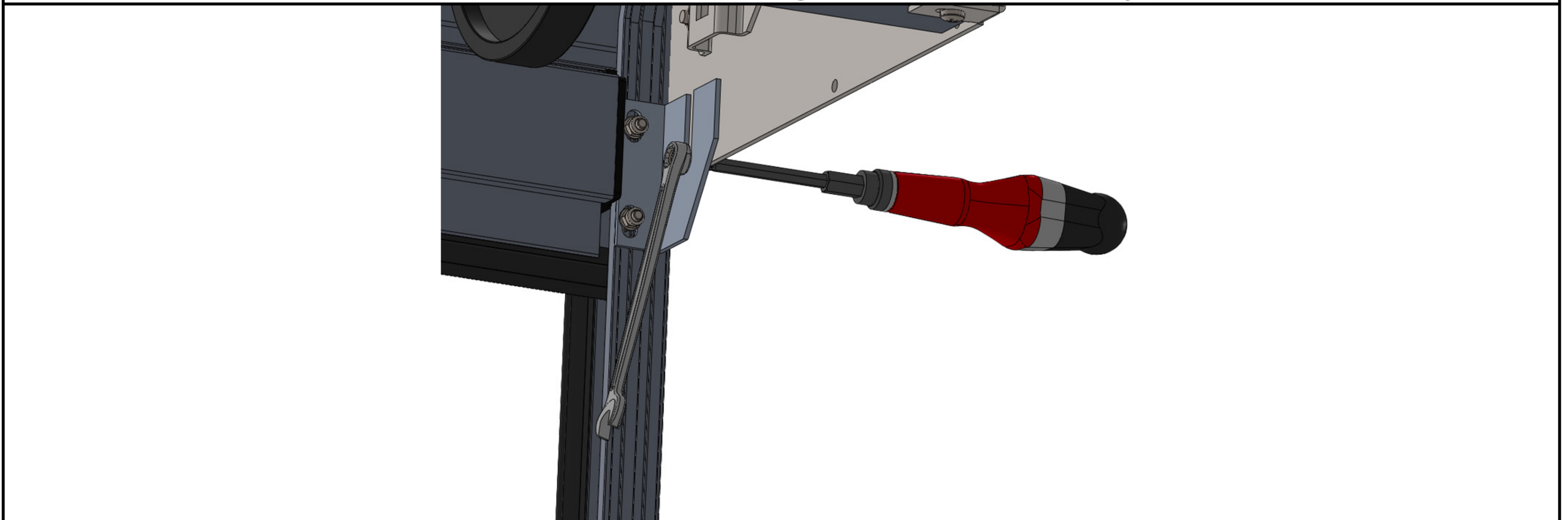
4. Insert the bolts provided, in the required quantity, into the guide to secure the plate supports and any optional extras (A). Then fix the support plates (B).



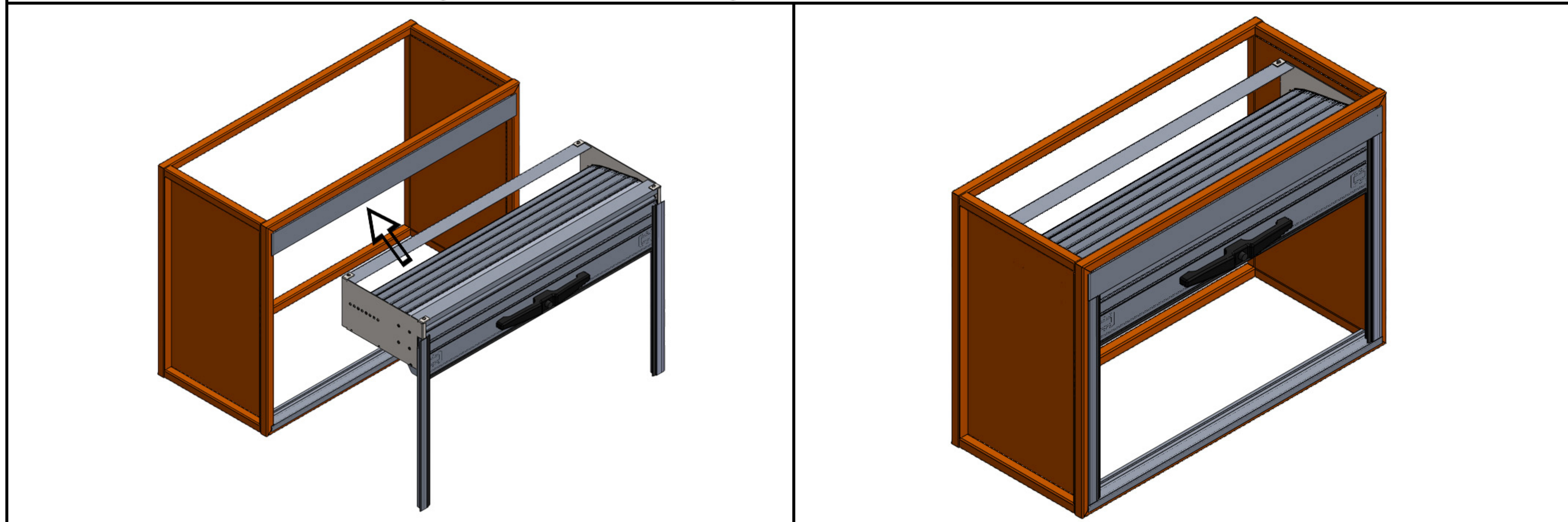
5. Insert the guides into the plates, using the appropriate couplers.



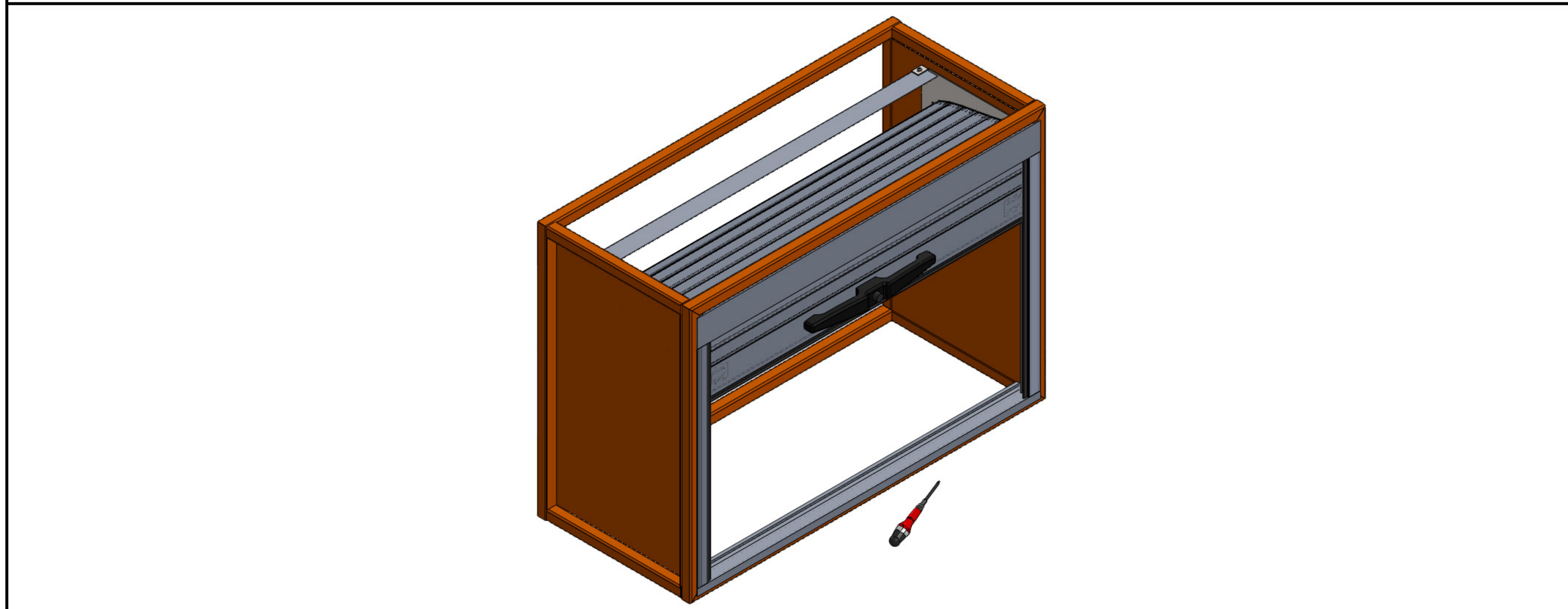
6. Adjust and fix the brackets mounted on the plates, using the TPS screws already provided.



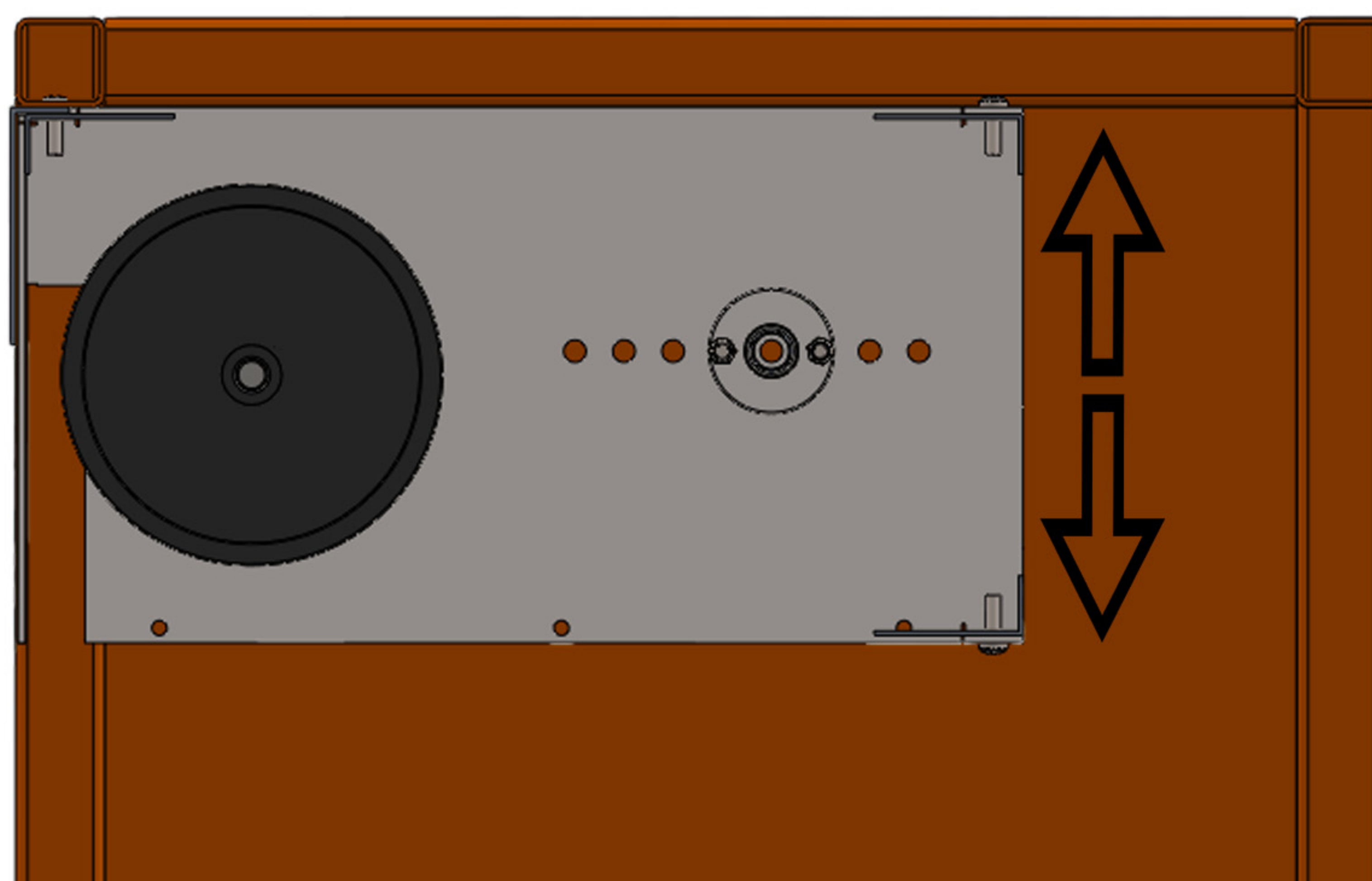
7. Insert the entire ready kit, with the guides mounted, inside the compartment (this operation should be done with two or more people, depending on the size and weight of the shutter).



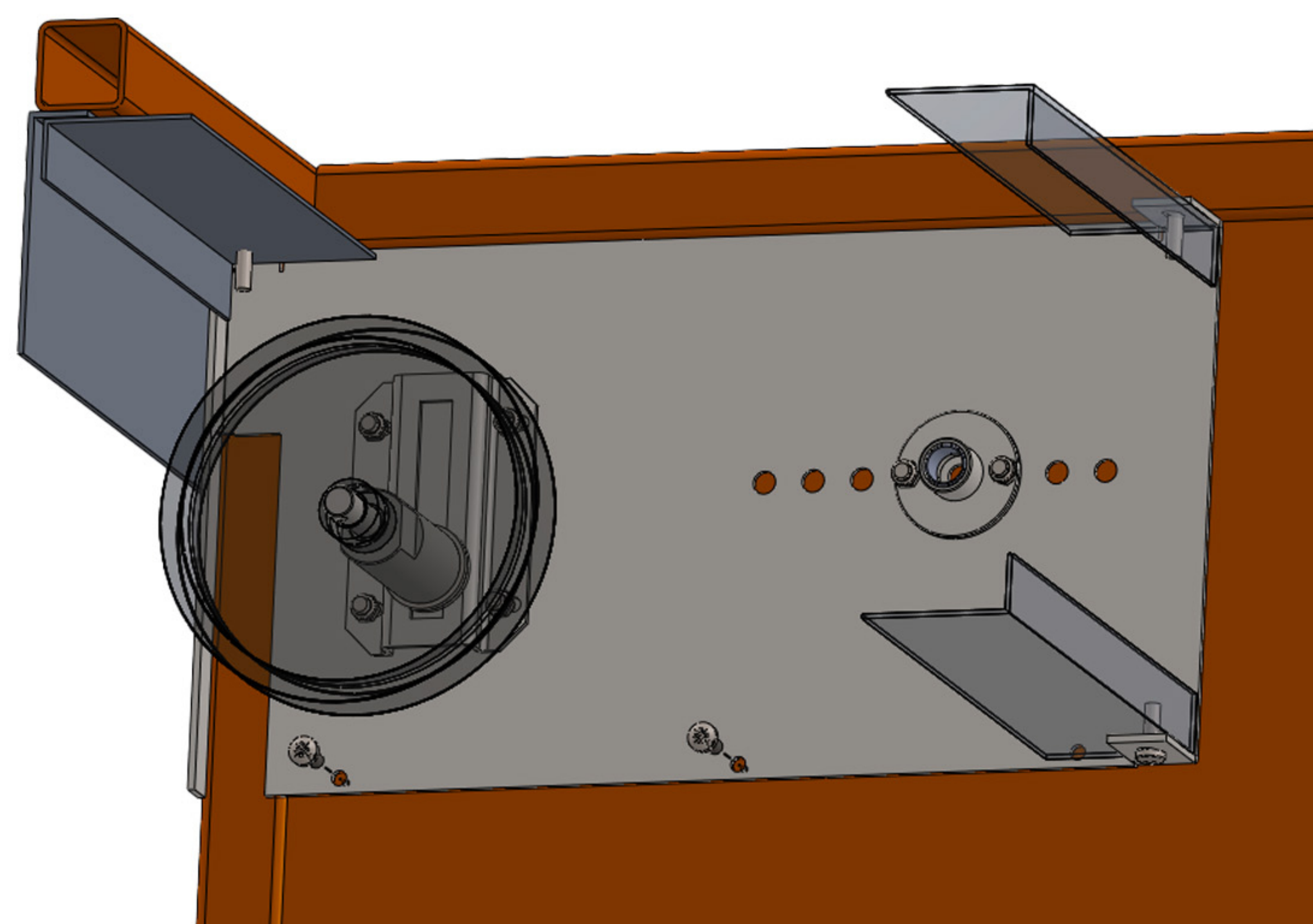
8. Fix the guides, already drilled to the compartment.



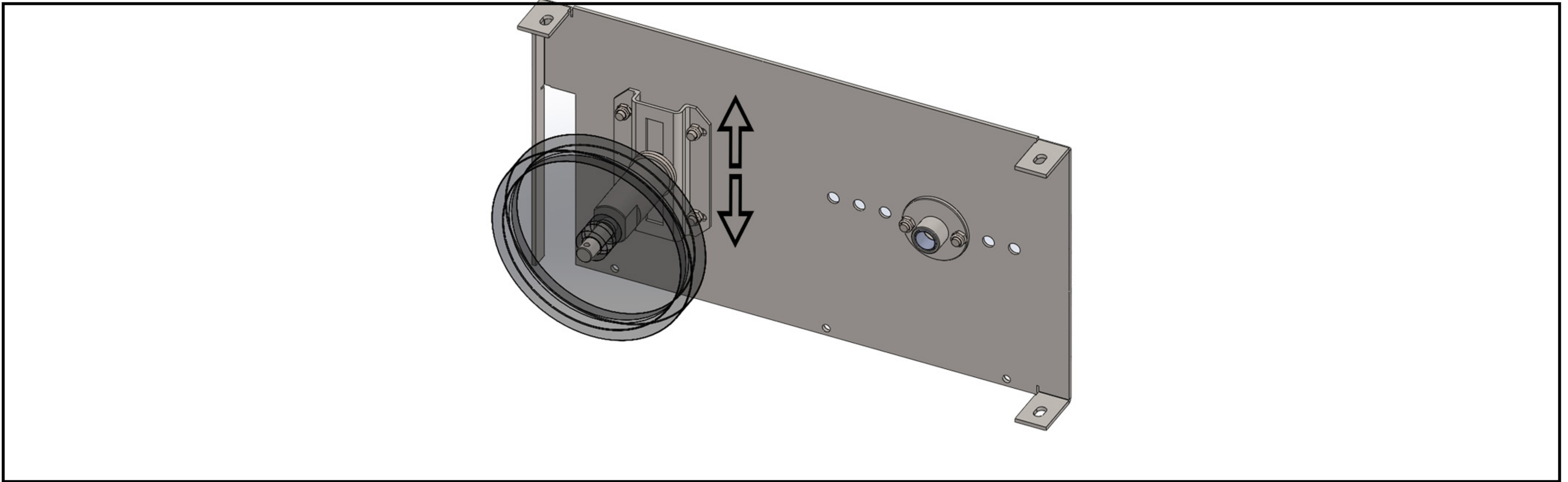
9. Check and adjust, if necessary, the correct height position of the plates.



10. Attach the plates to the compartment with screws or rivets.

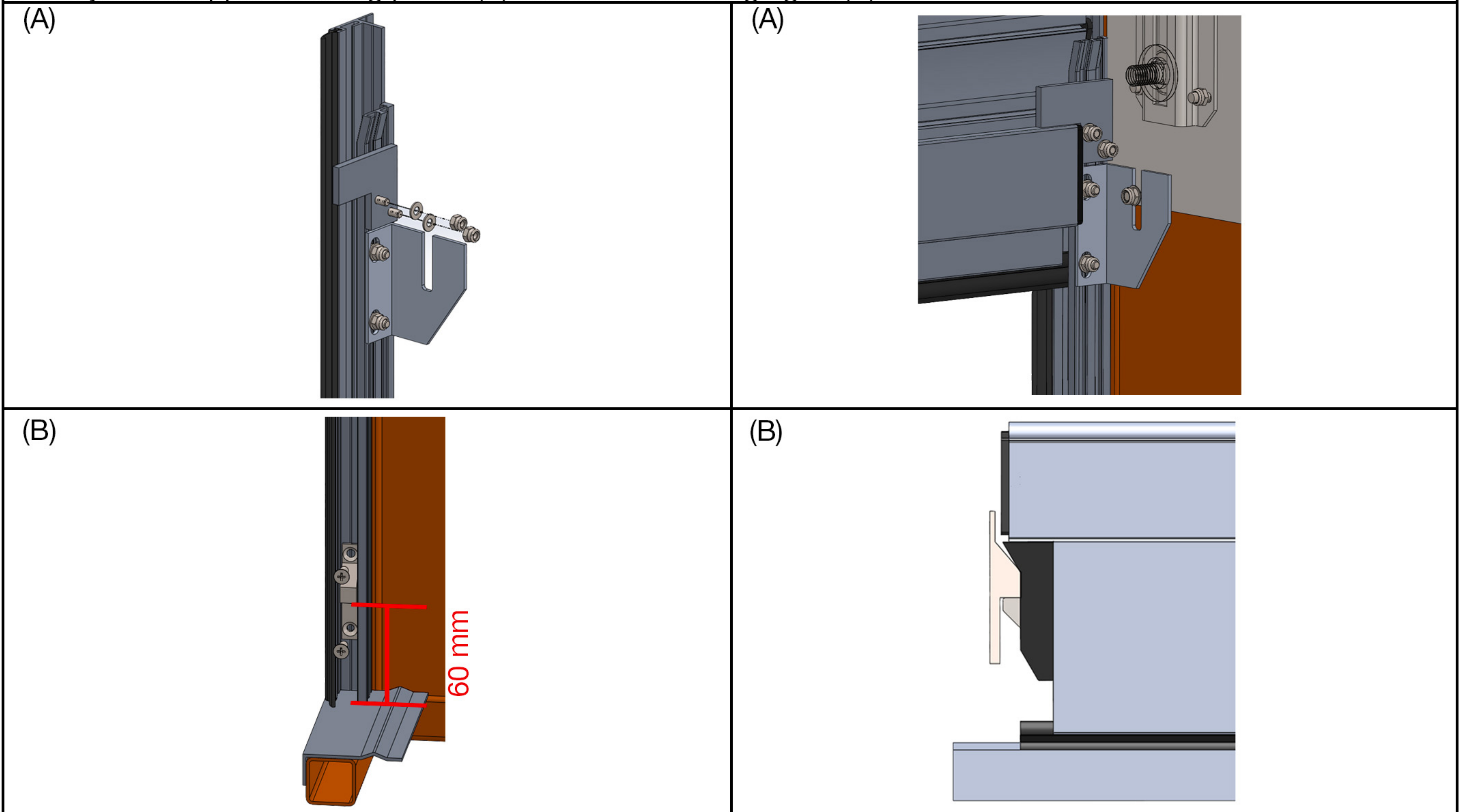


11. If necessary, adjust the height of the wheels using the adjustable pin.



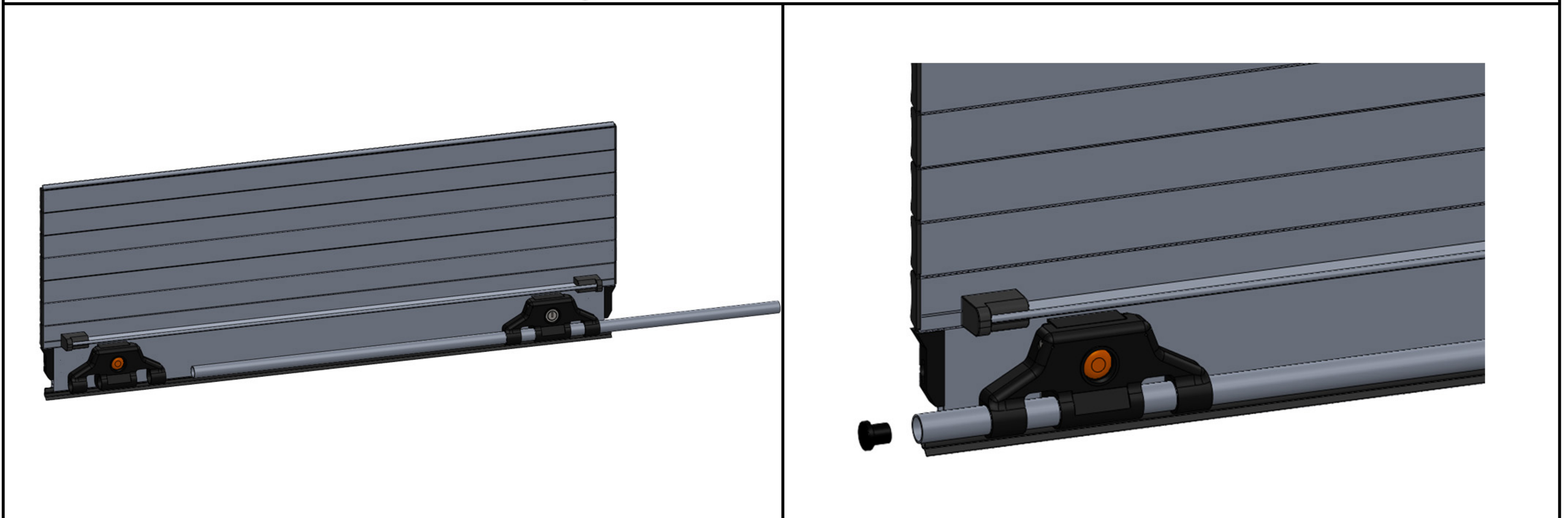
FIXING T2 TERMINAL CLOSURES

12. Adjust the upper retaining plates (A) and lower retaining aglas (B).

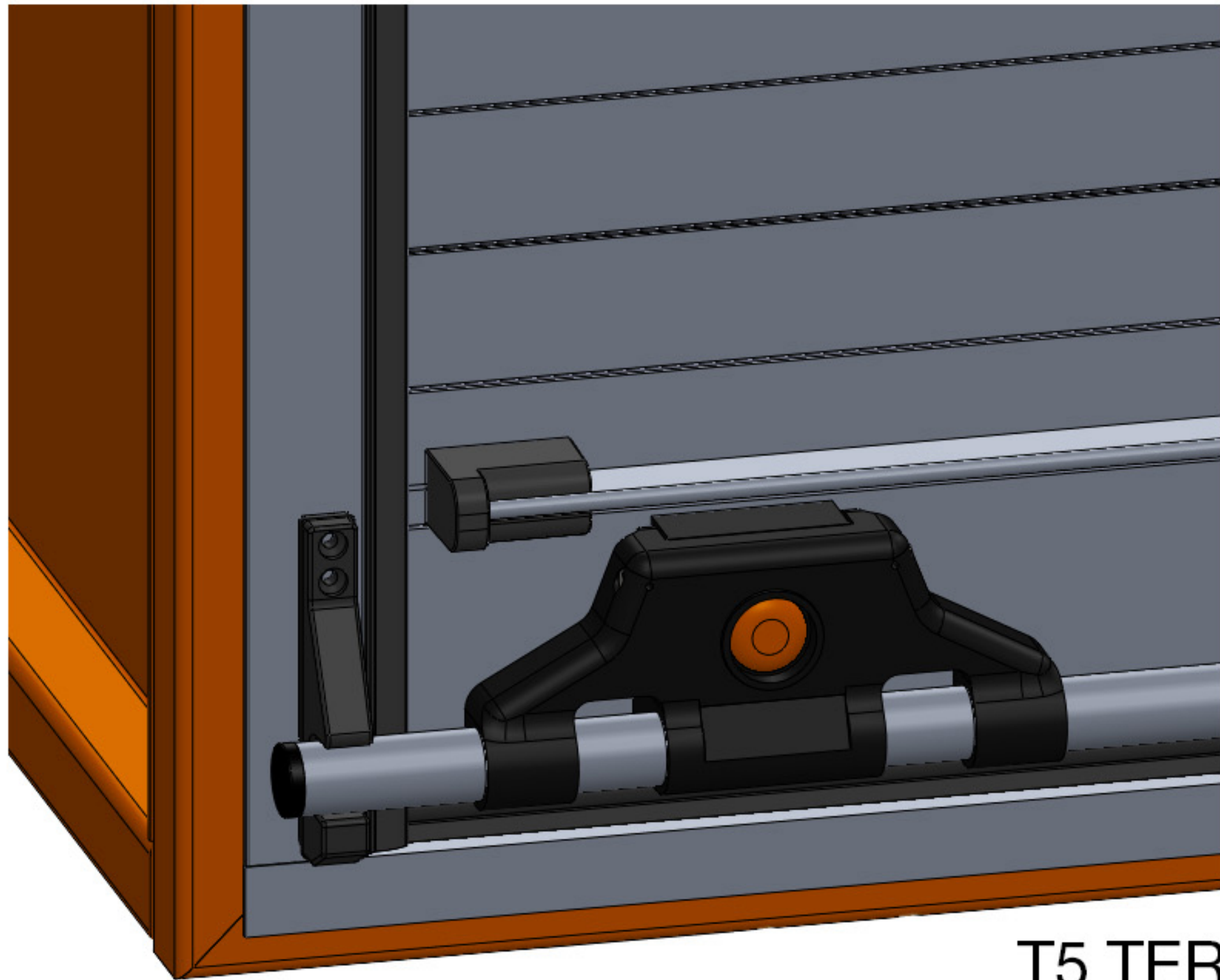


FIXING T3 & T5 TERMINALS CLOSURES

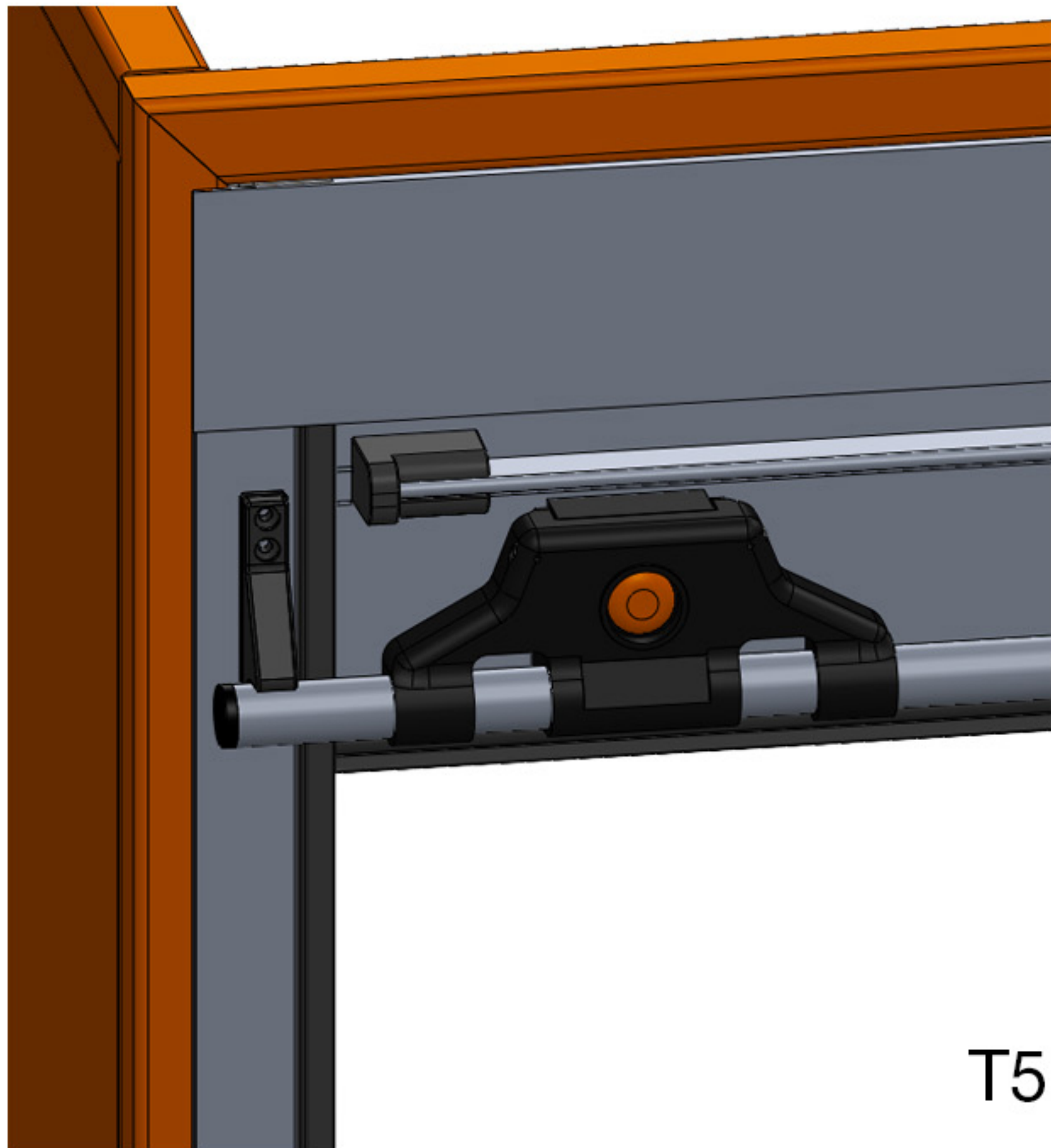
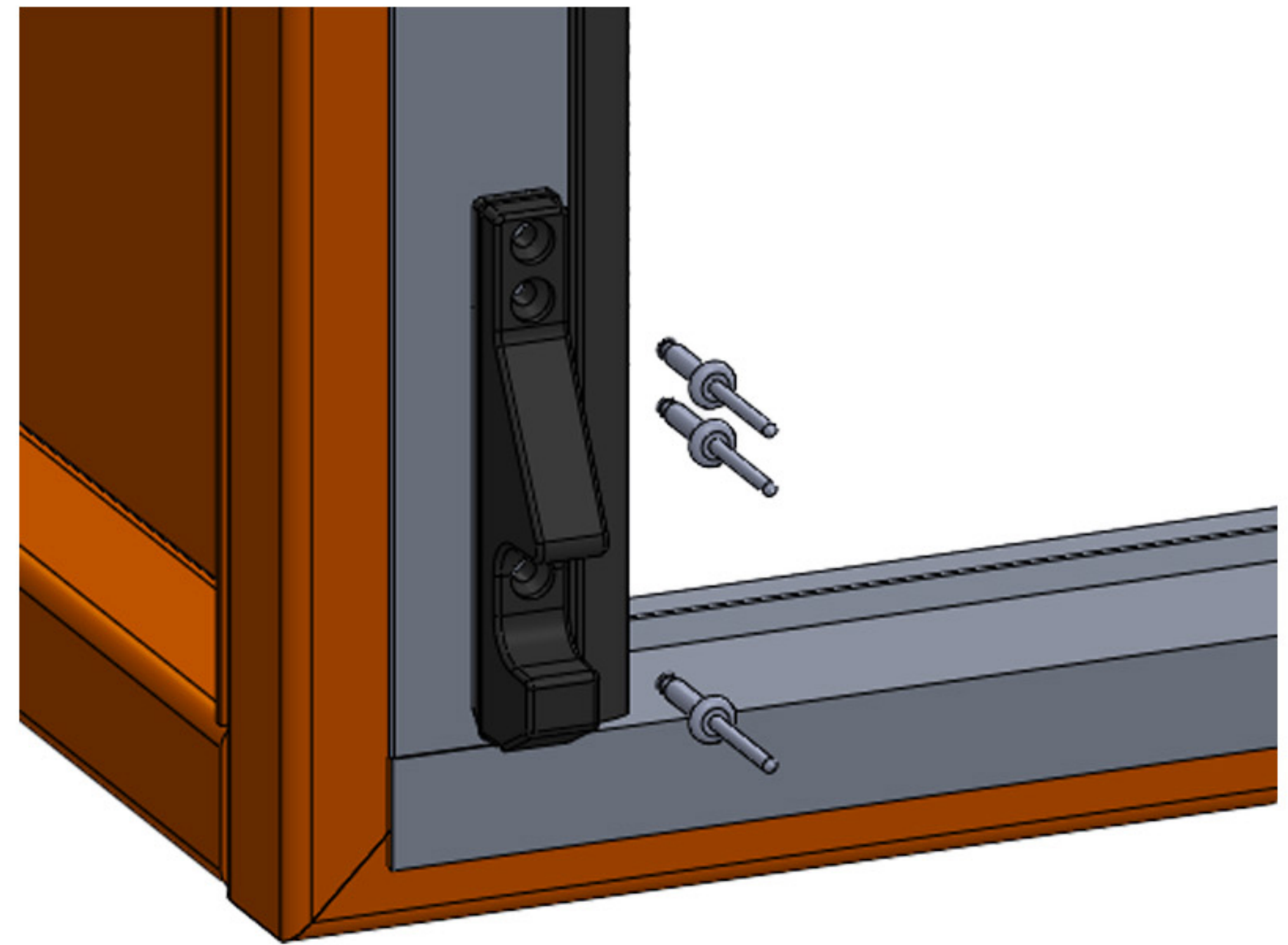
13. Insert the $\varnothing 20$ (WS + 20mm) tube into the blocks (A).
 Then insert the plugs into the bar (B).
 Drill and fix the tube on the block using the rivets provided.



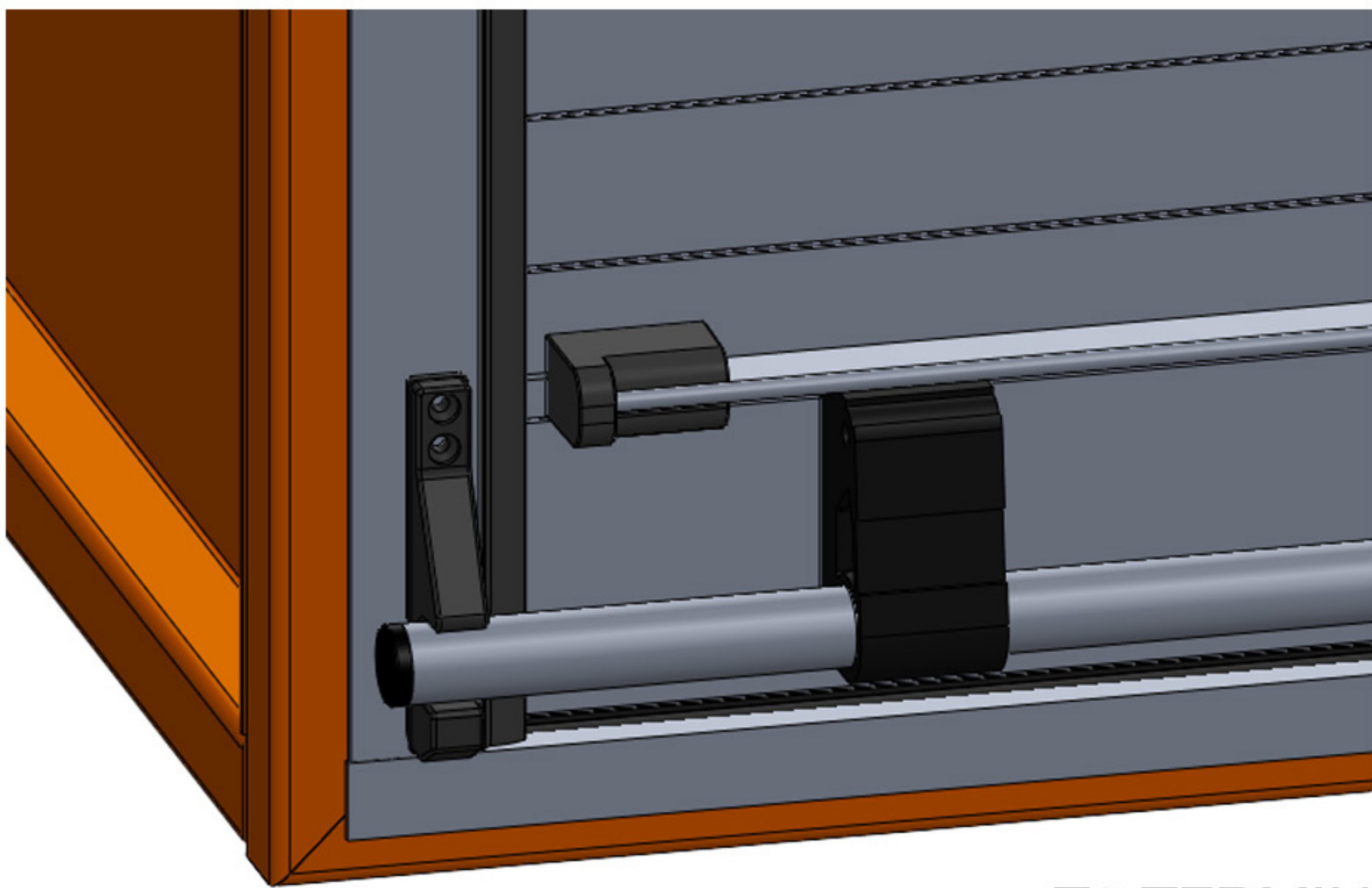
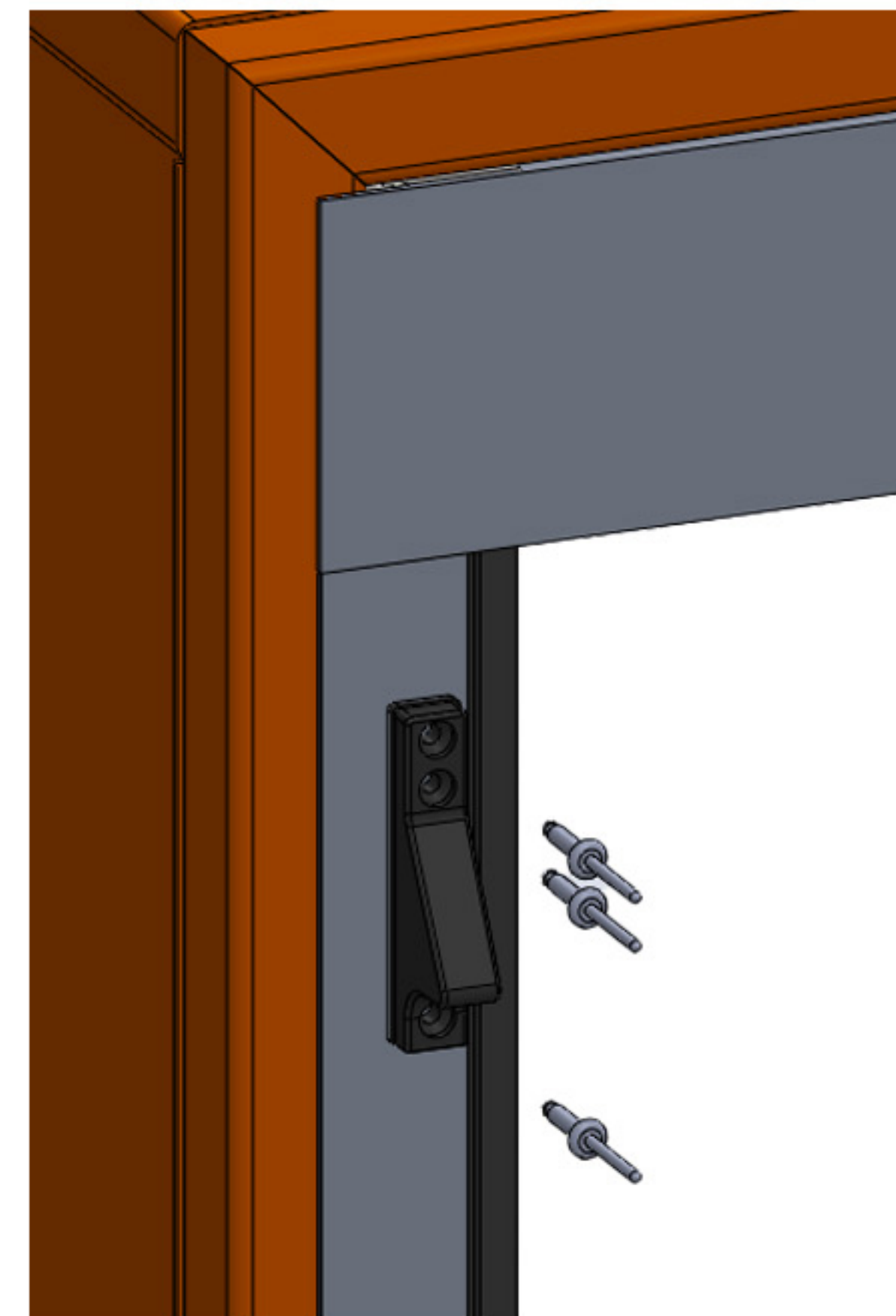
14. Insert the bar into the side fasteners, position them correctly, and secure them with the rivets provided.
Rivets 4 x16



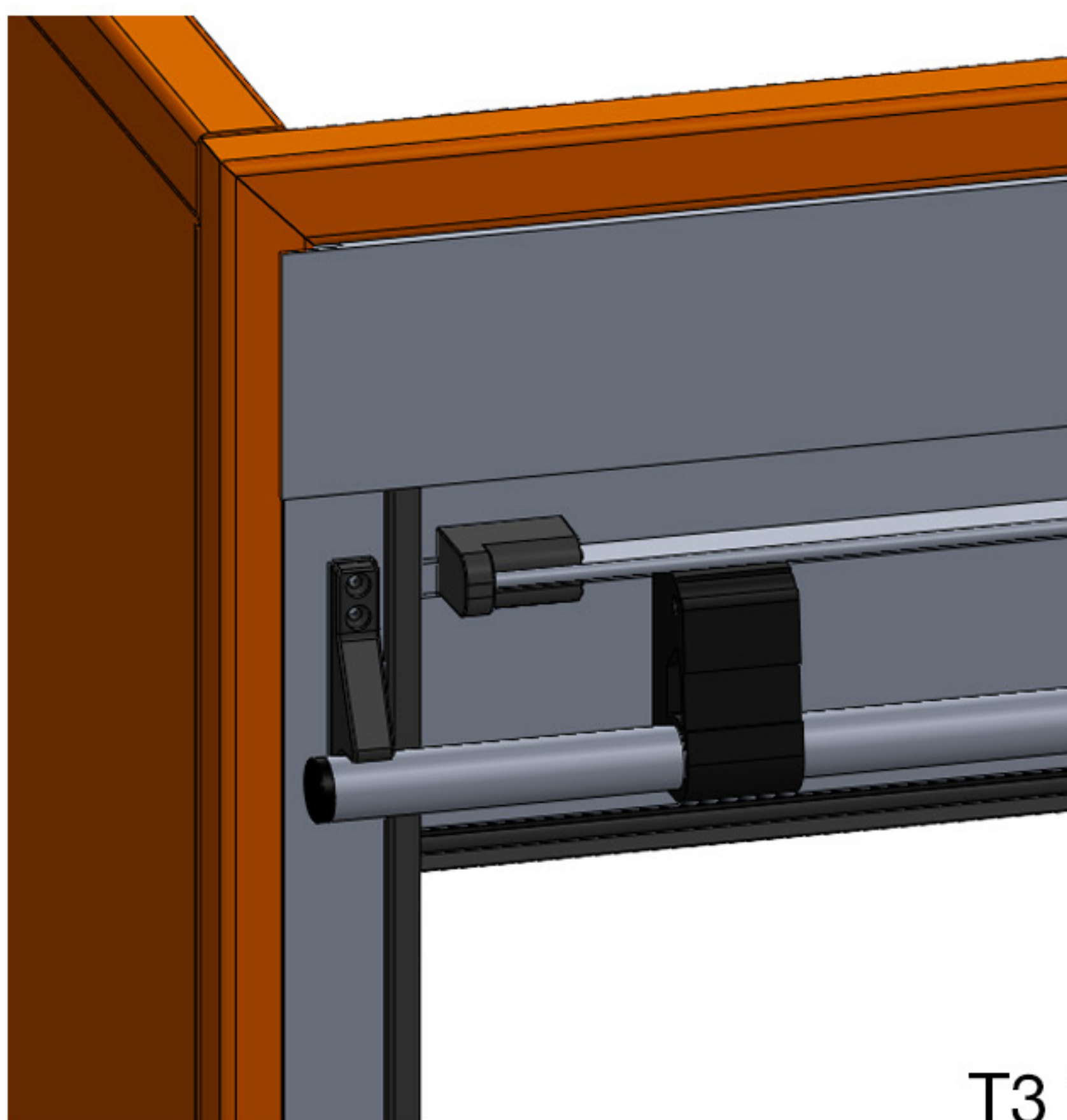
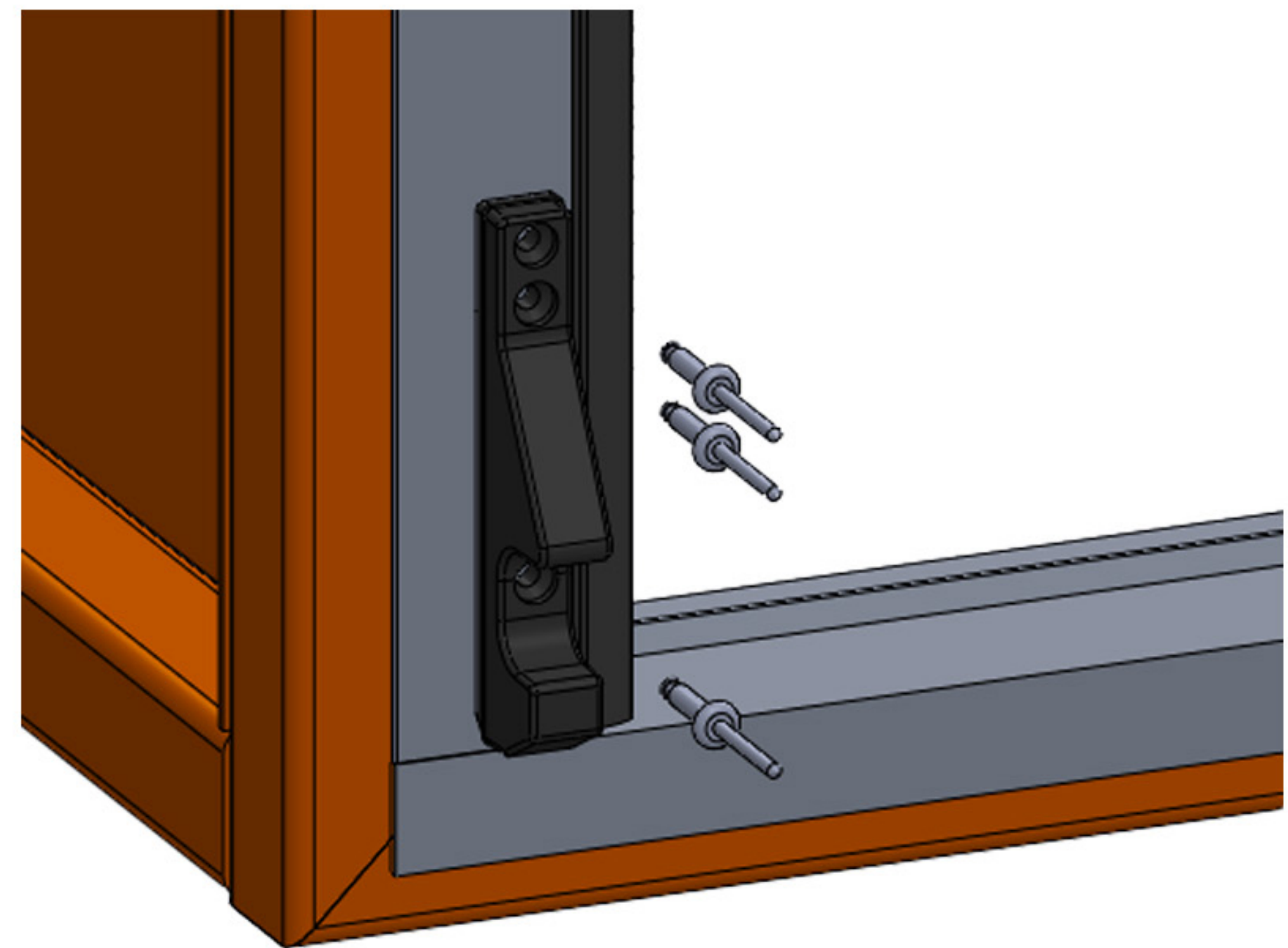
T5 TERMINAL



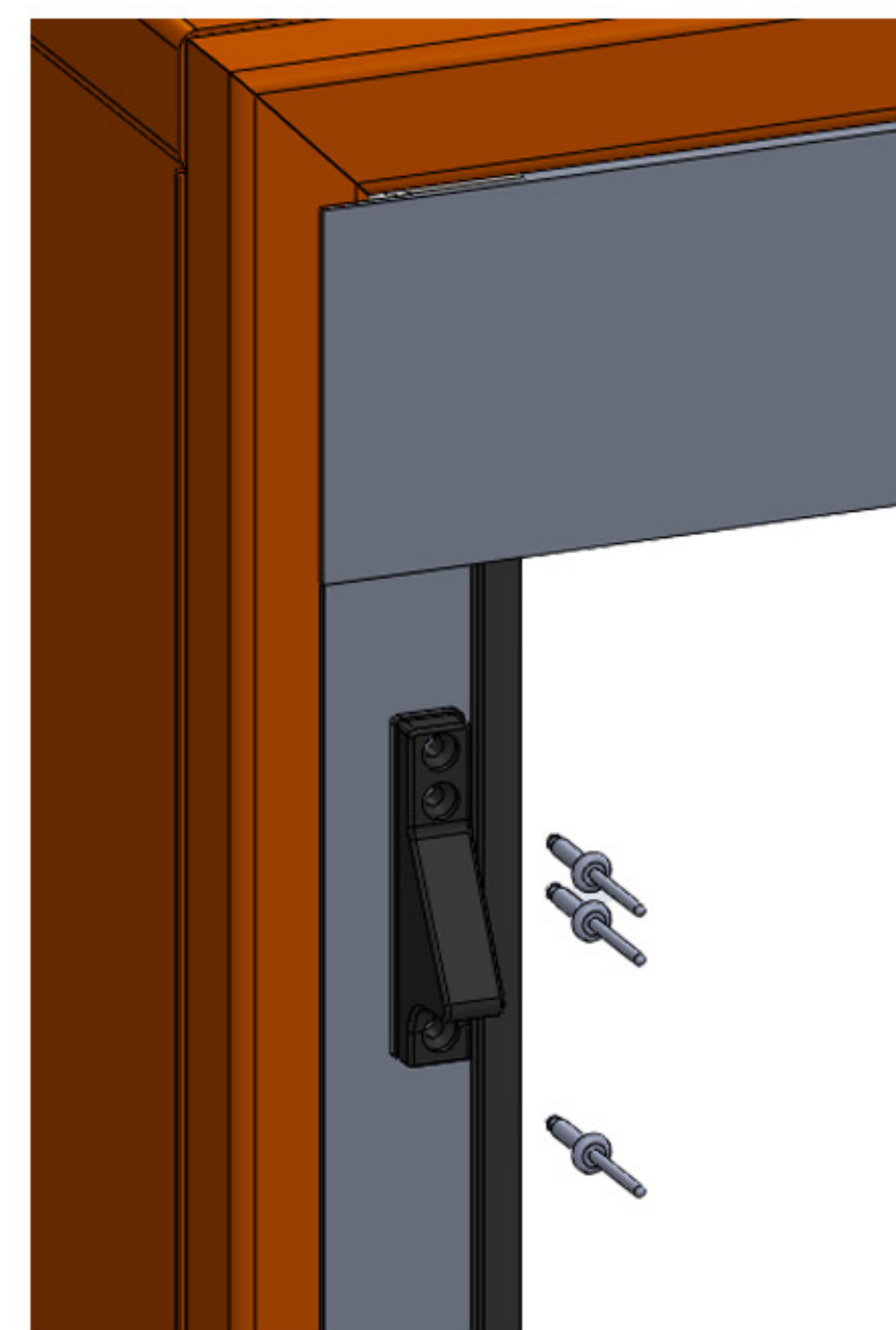
T5 TERMINAL



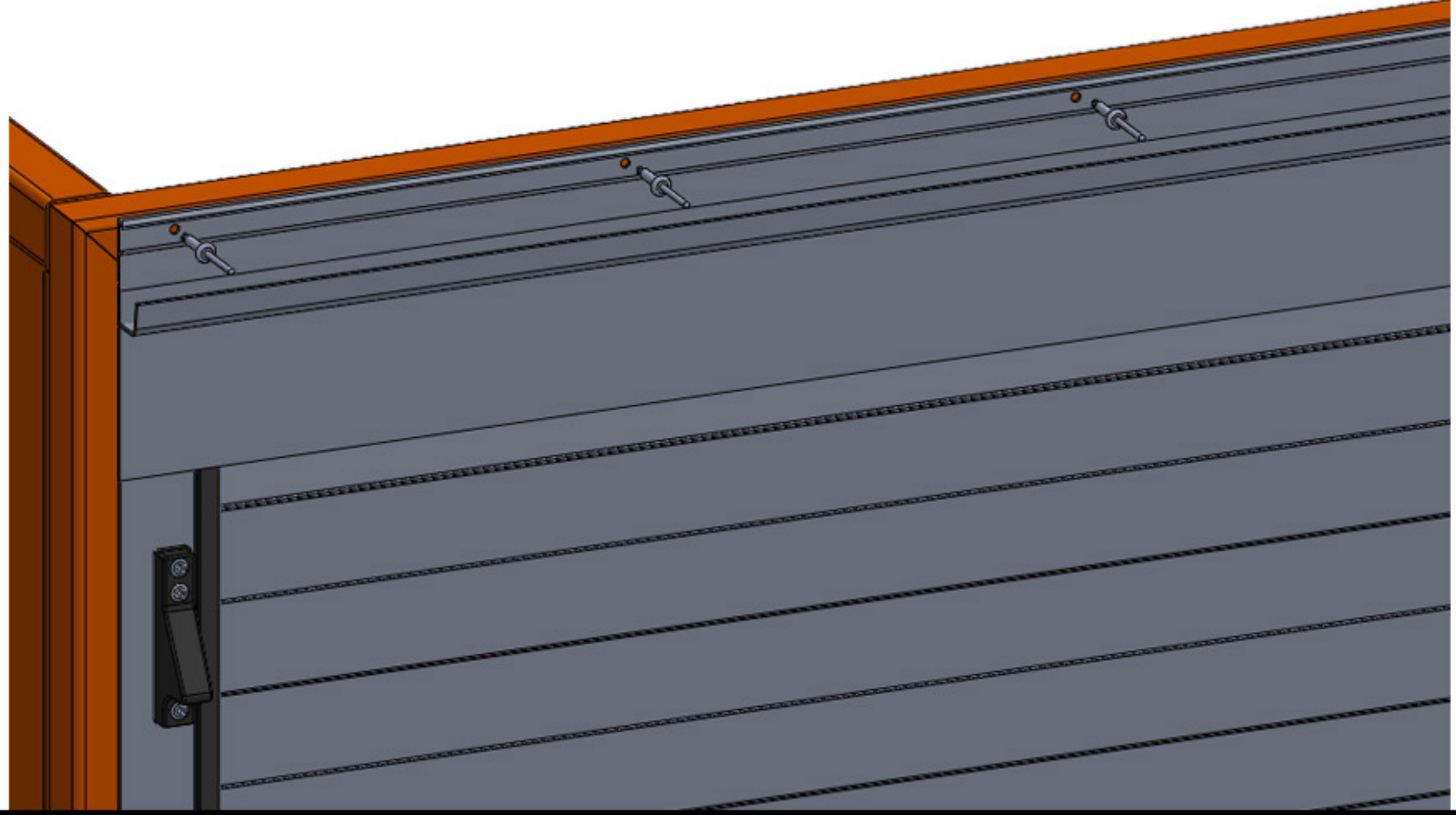
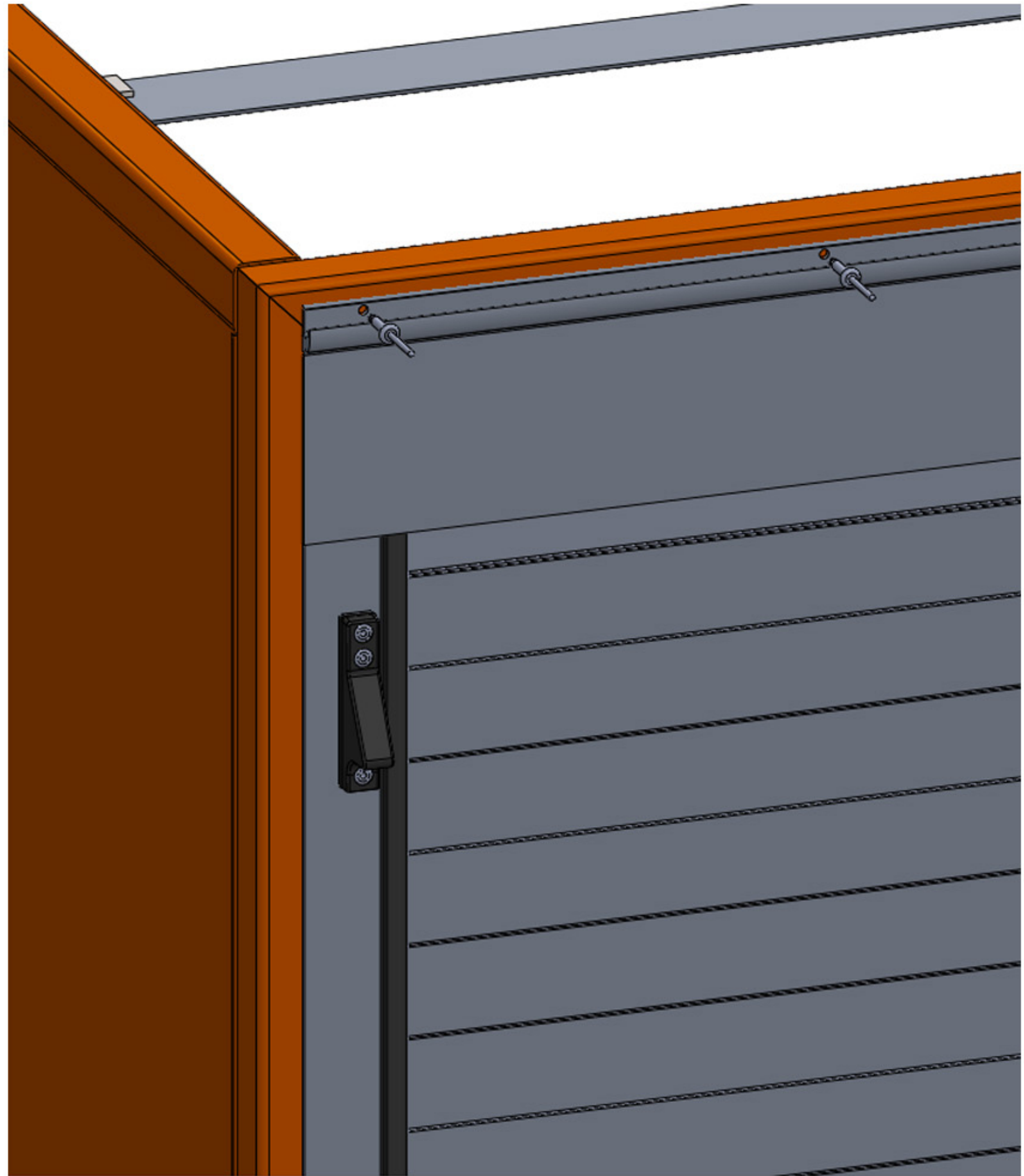
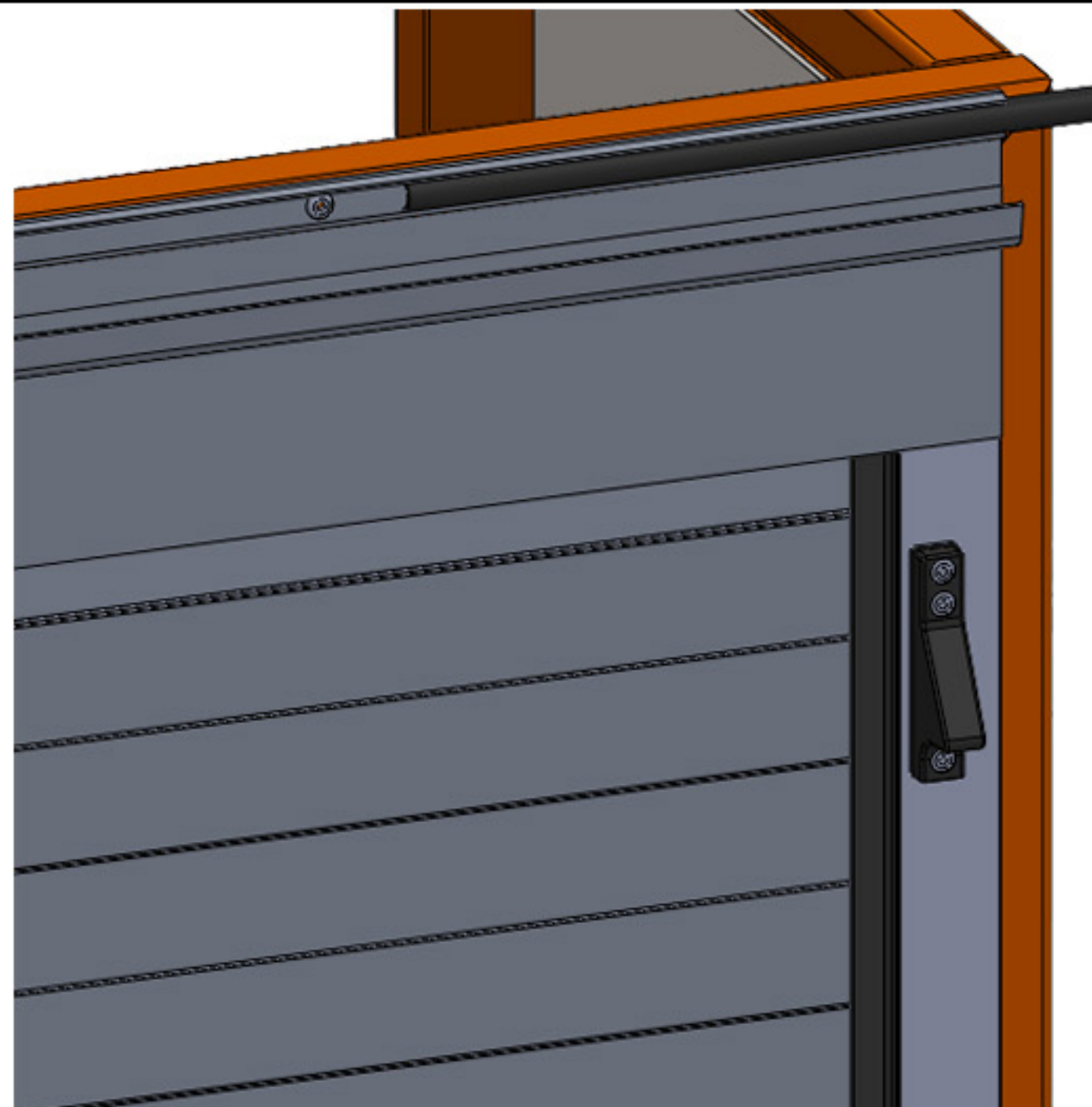


T3 TERMINAL



T3 TERMINAL



15. Drill and fix the gutter profile (optional). Insert the rubber, if you choose the big gutter profile.

	
	
<p>BIG GUTTER PROFILE</p> 	<p>SMALL GUTTER PROFILE</p> 

16. The shutter is ready to be used. For a better sliding over time, it is recommended to grease the side guides with standard mechanical grease.

