



**Installation  
instructions**

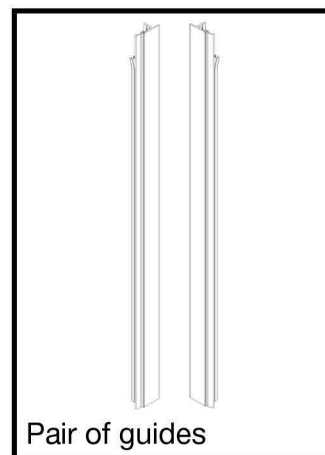
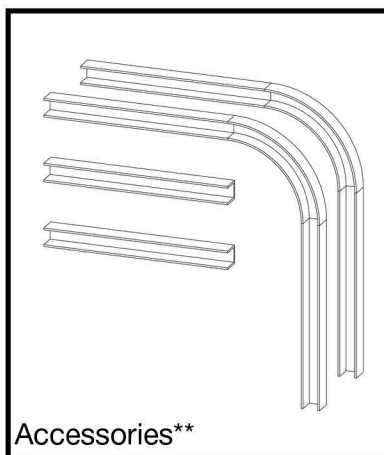
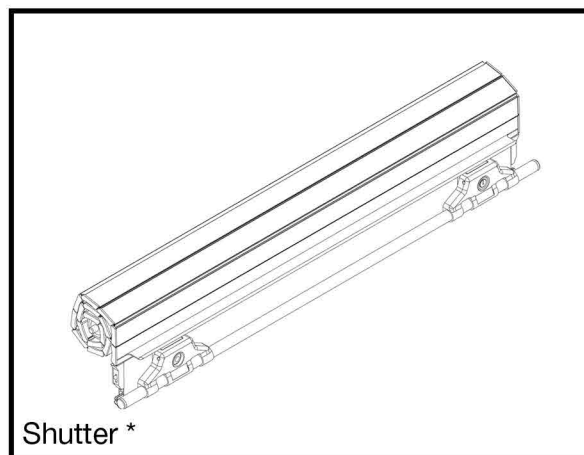
**ECO**

---

**ECO**

**PLUS**

Common parts

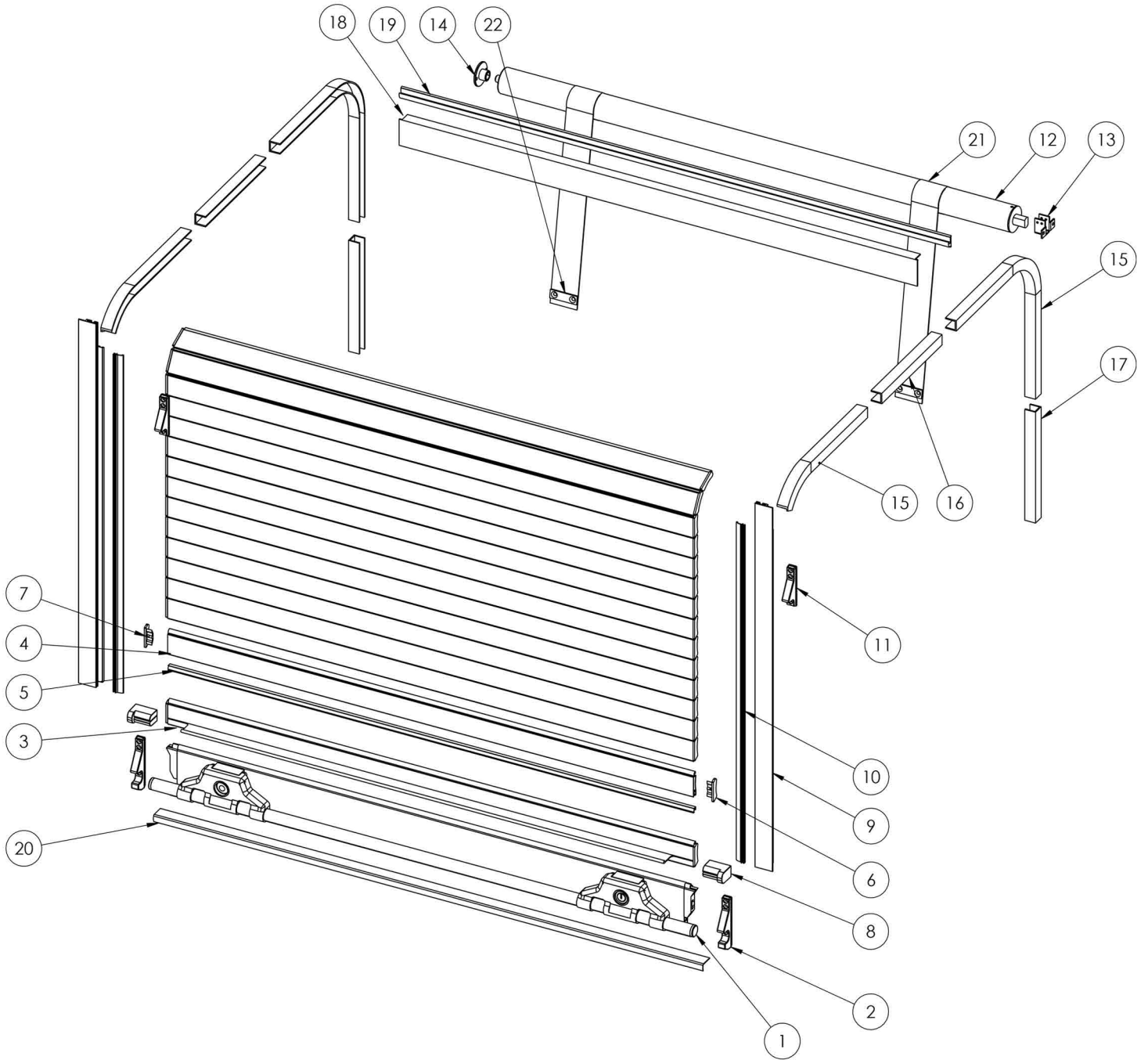


Num. Art.	Codice Code	Descrizione	Description	Q.tà Q.ty
1	70500	Terminale T5	Closing system T5	1
2	70308	Aglas inferiore per T3 e T5	Lower locking for T3 and T5	2
3	70311	Profilo di presa	Grip profile	1
4	70001.30/A 70001.38/A	Profilo serranda H30 Profilo serranda H38	Shutter profile H30 Shutter profile H38	N
5	70004	Gomma intermedia	Middle rubber for shutter profile	N
6	70002.DX.30 70002.DX.38	Pattino destro H30 Pattino destro H38	Right sliding plate H30 Right sliding plate H38	N
7	70002.SX.30 70002.SX.38	Pattino sinistro H30 Pattino sinistro H38	Left sliding plate H30 Left sliding plate H38	N
8	70311.B	Tappo per profilo di presa	Plug for grip profile	2
9	70003.MP1/A 70003.MP2/A 70003.MP5/A	Guida MP1 Guida MP2 Guida MP5	Side profile MP1 Side profile MP2 Side profile MP5	2
10	70005	Gomma guide di tenuta anteriore	Seal rubber	2
11	70309	Aglas superiore per T3 e T5	Upper locking for T3 and T5	2
12	70020	Rullo ø45	Roll ø45	1
13	70017	Sede-supporto per rullo (DX)	Roll space	1
14	70018	Supporto perno con bronzina per rullo (SX)	Pin with bearing (L)	1
15	70030	Curva in alluminio	Aluminium curve	4
16	70033	Prolunga tra le curve	Extension between curves	2
17	70034	Prolunga posteriore	Back extension	2
18	70012	Angolare superiore 50x20 (copertina)	Little cover 50x20	1
19	70011.S 70011.B	Profilo gocciolatoio PICCOLO Profilo gocciolatoio GRANDE con gomma	SMALL gutter profile BIG gutter profile with rubber	1
20	70014.S 70014.B	Profilo battuta PICCOLO Profilo battuta GRANDE	SMALL lower profile BIG gutter profile	1
21	70042	Cinghia per rullo	Belt for roll	2
22	70043	Piastrina per cinghia	Plate for roller belt	2

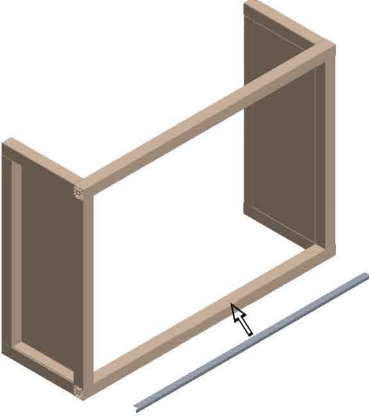
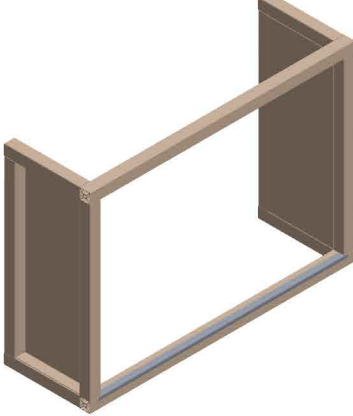
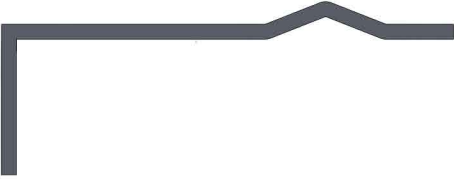

\* ECO PLUS model includes a pre-charged roll.

\*\* Extensions and back curves supplied according to depth of the compartment.

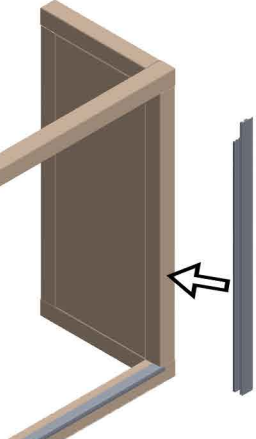
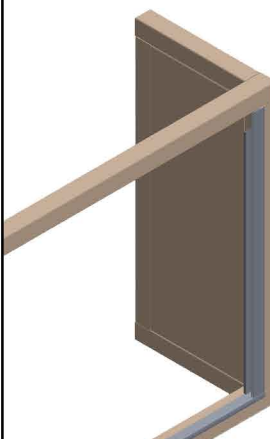
\*\*\* Belts for roll (pos. 21) and plates for roller belt (pos. 22) are supplied only with ECO PLUS model.



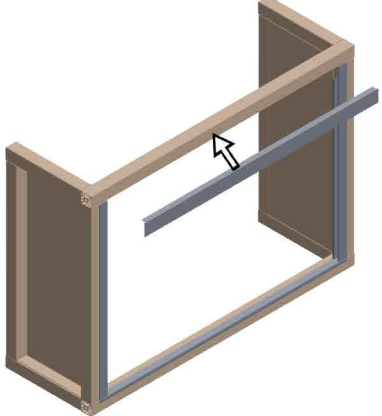
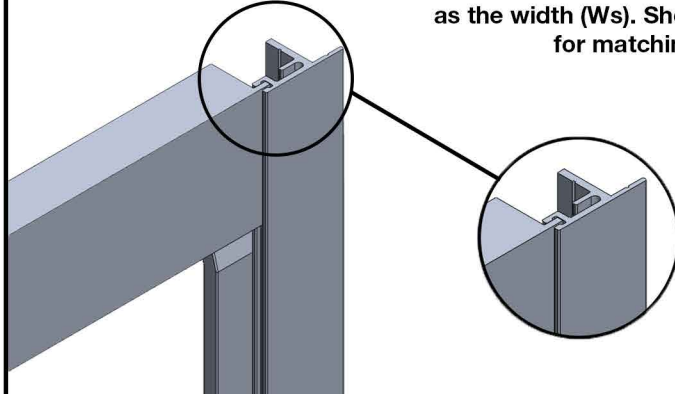
**1. Drill and fix the lower profile (optional)**

	
<p><b>BIG LOWER PROFILE</b></p> 	<p><b>SMALL LOWER PROFILE</b></p>  <p>Lower profile supplied 25 mm longer than width (Ws) for a correct matching between lower profile and guides.</p>

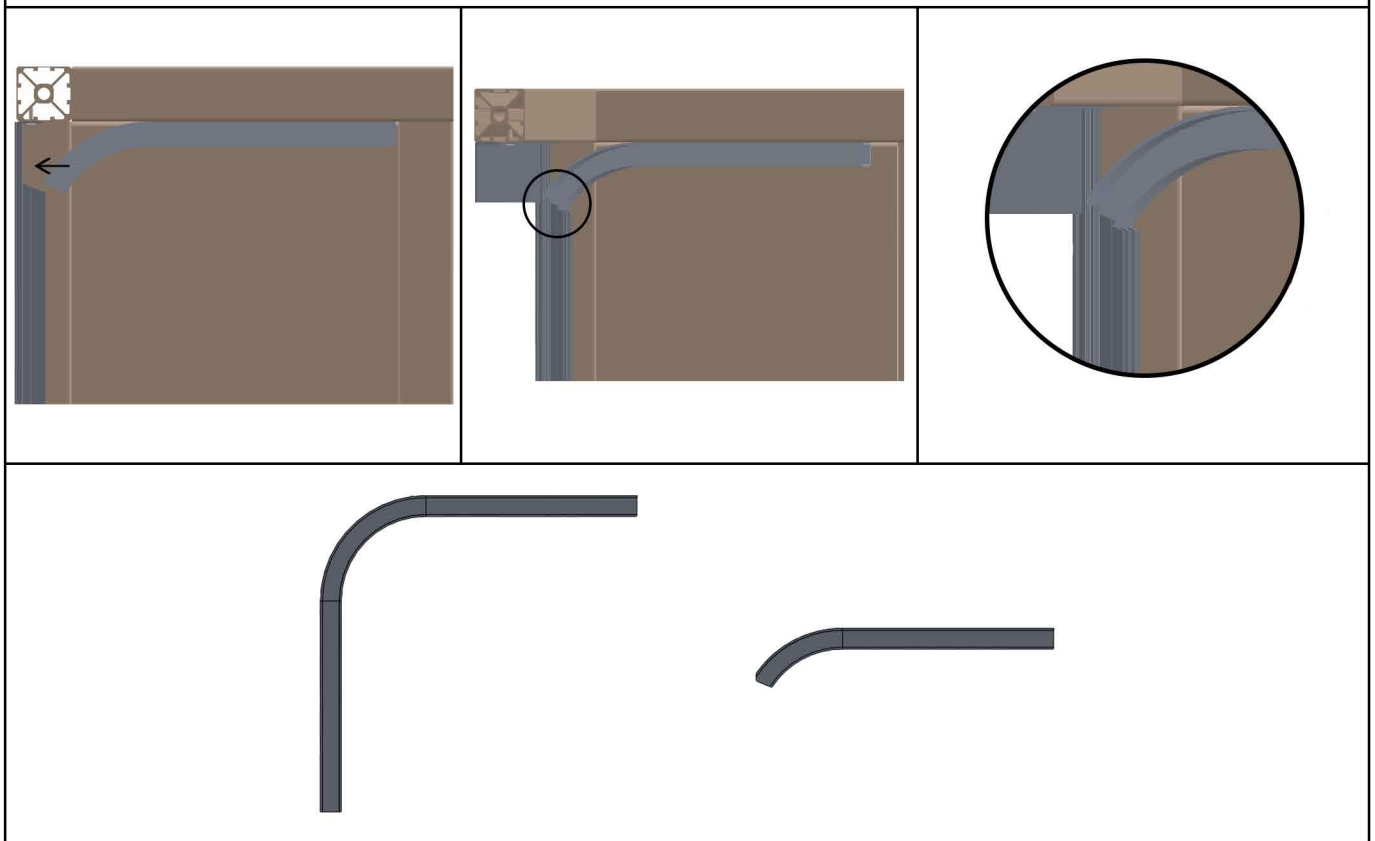
**2. Place the guides and fix them temporarily.**

		<p><b>WARNING:</b> Without the exact length of the guides (<math>H_g</math>), they will be supplied long as the total height (<math>H_{tot}</math>).</p>
---	---	--

**3. Drill and fix the little cover - L profile 50x20 (optional).**

	 <p><b>WARNING:</b> The little cover will be supplied long as the width (Ws). Shorten and machine it for matching it with the guides.</p>
---	---

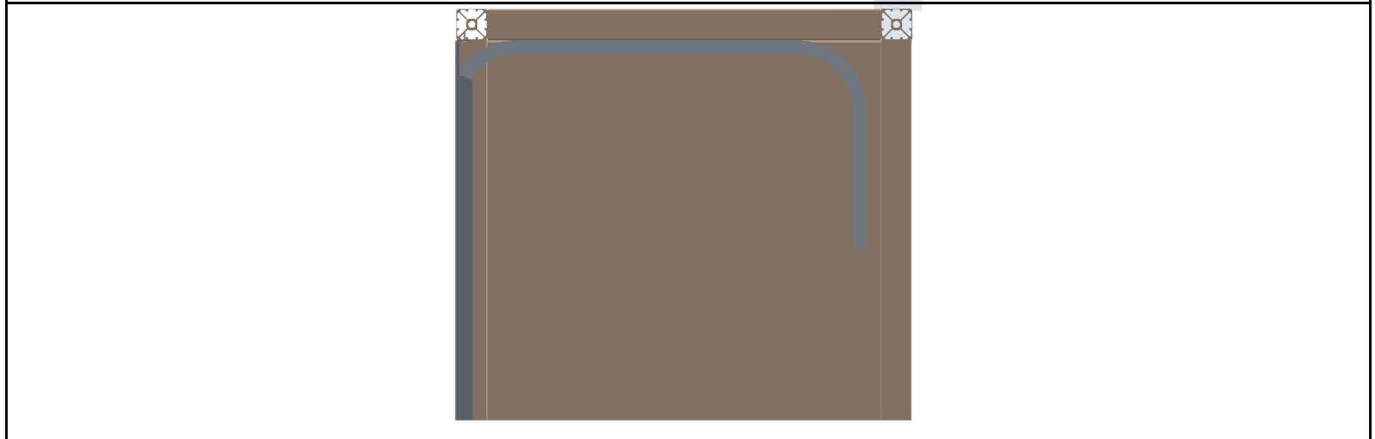
**4. Drill and fix the front curves, cut and match them with the guides\***



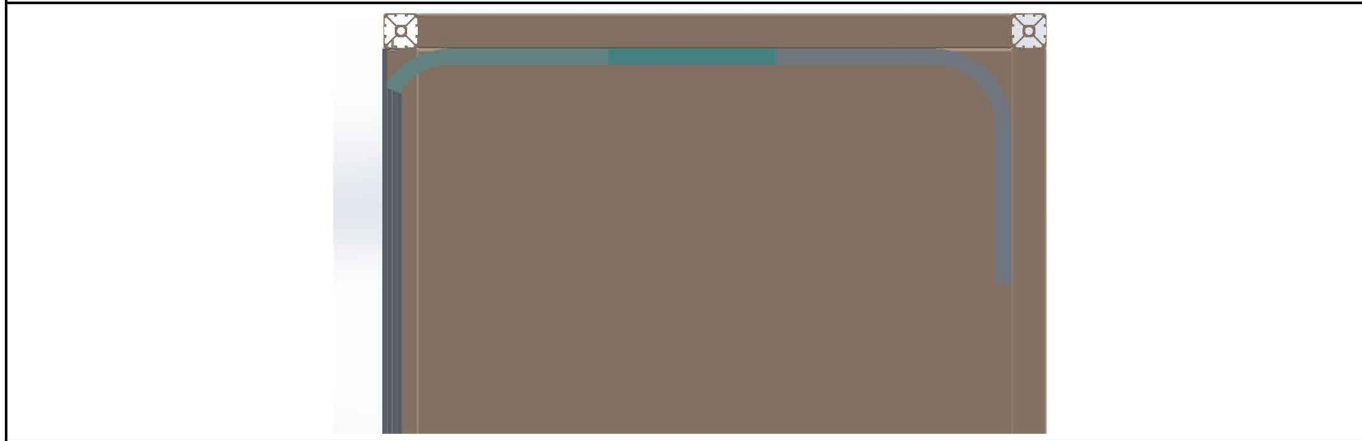
**5 Drill and fix the extensions\*.  $P > H$**



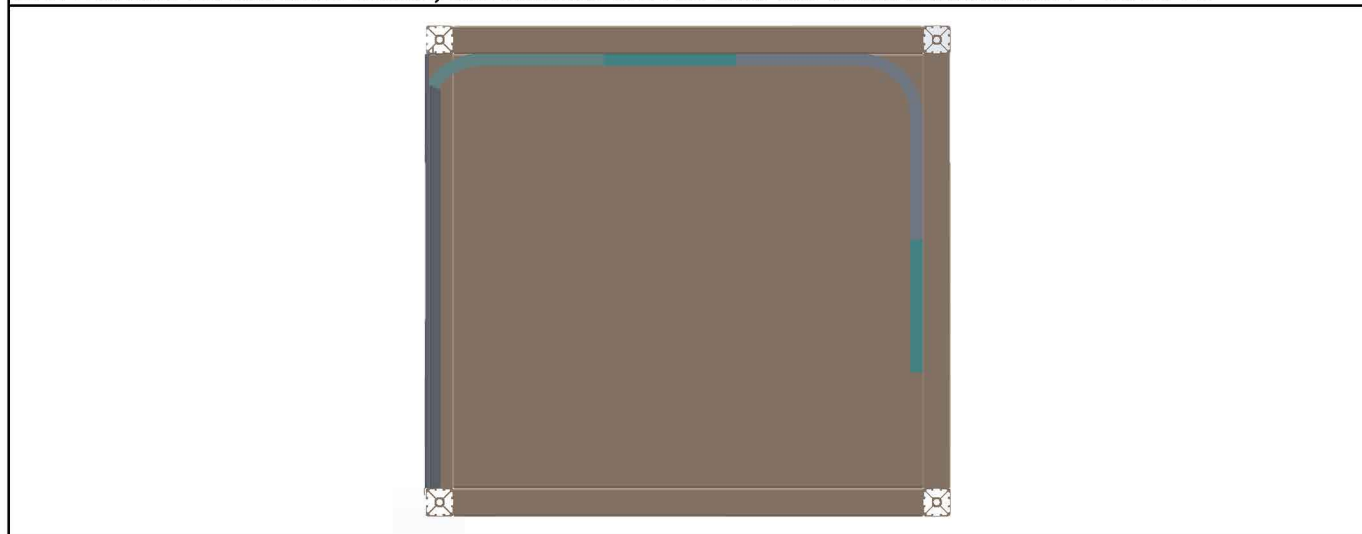
**Drill and fix the second curve\*.  $H > P$  - CASE A**



**5.3 Drill and fix the extensions and the second curve\*. H > P - CASE B**

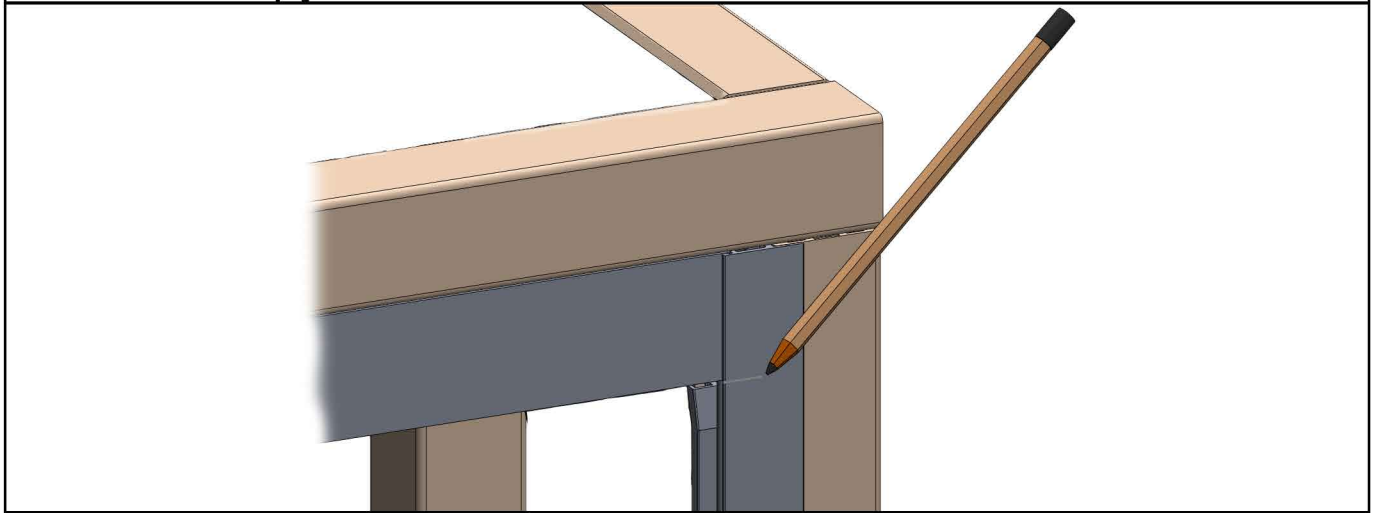


**5.4 Drill and fix the extensions, the second curves and the back extensions\*. - CASE C**

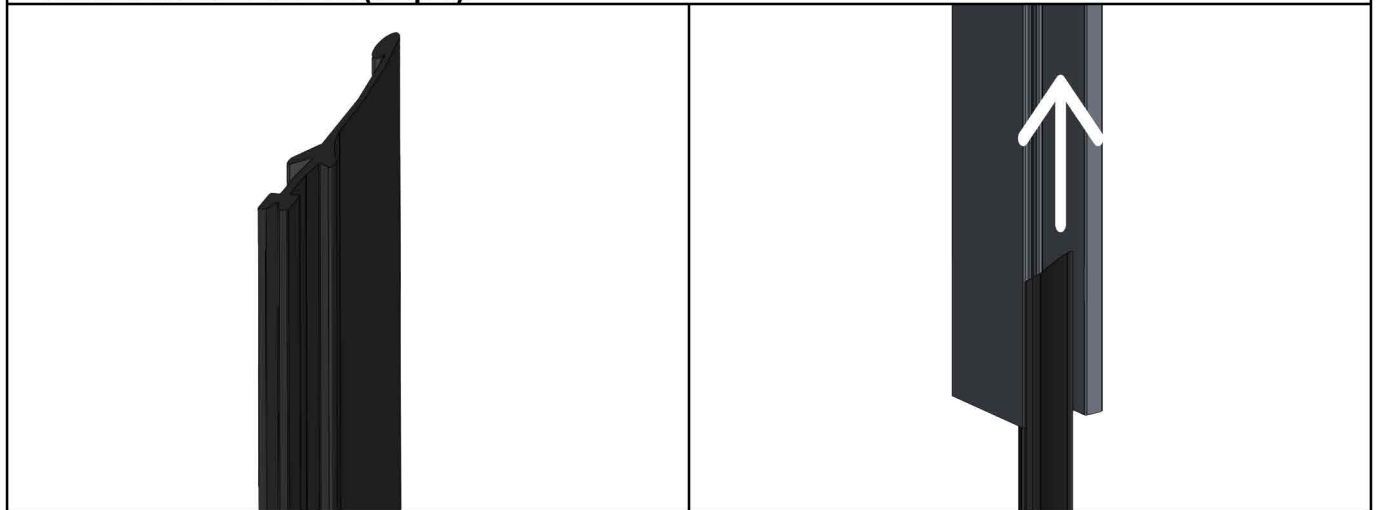


\*It is highly recommended to use screws TPS  $\varnothing 3.5 \times 19$

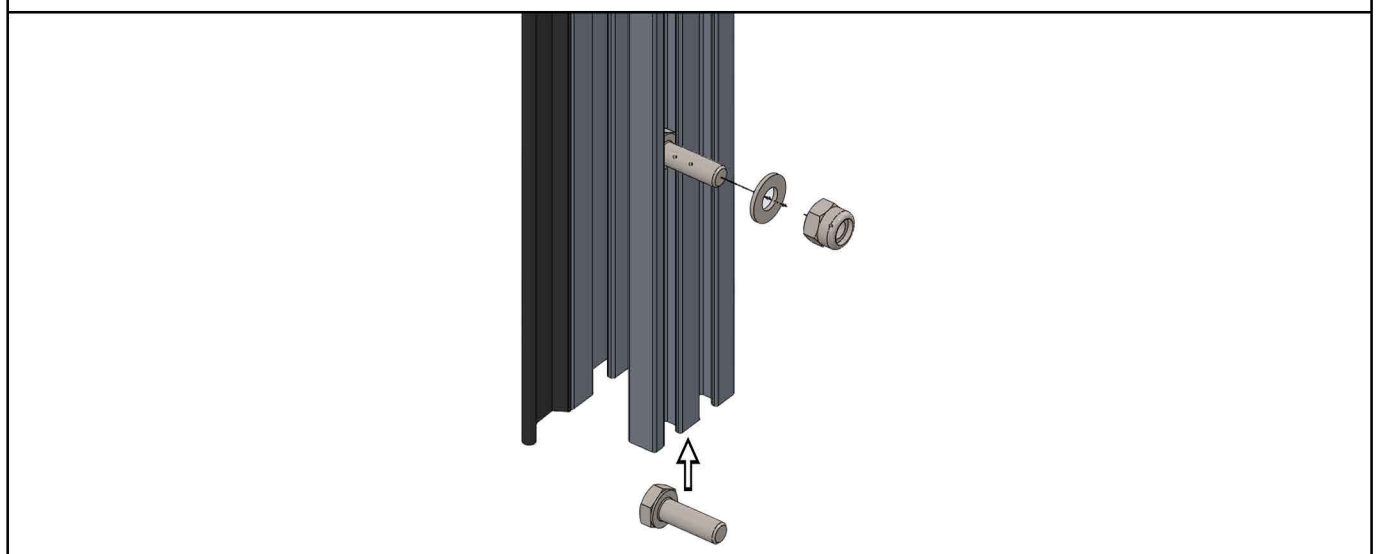
**6. Mark on the guide the intersection point between the guide and the little cover - L profile 50x20**  
The mark will help you to know the correct measure of the seal rubber.



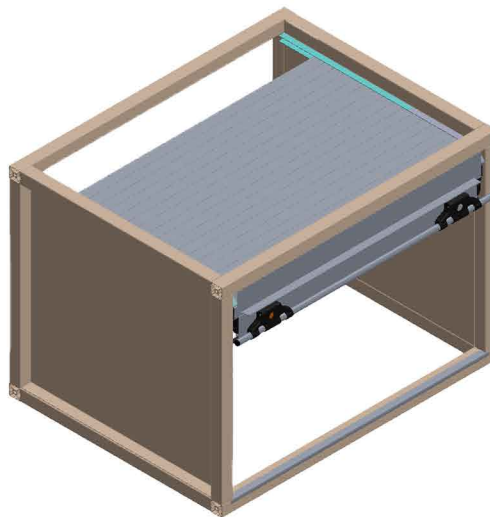
**7. Cut the seal rubber diagonally and insert it in the guides, after that cut to measure considering the mark made before (step 6).**



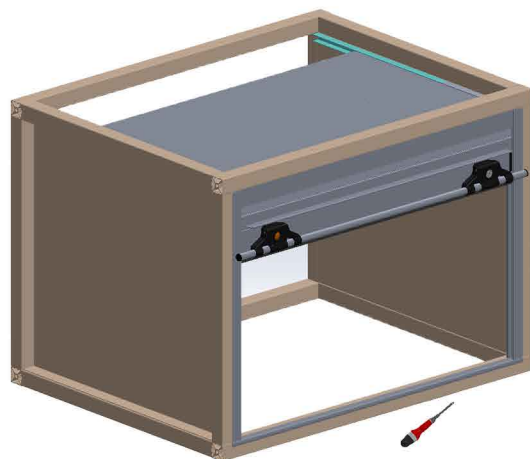
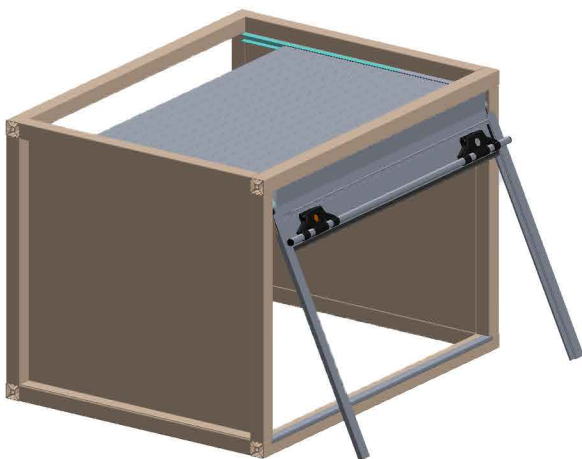
**8. If you chose the T2 closing system and/or, as optional, the LED the microswitch, the pulling belt, insert the bolts as the following figure.**



9. Insert the shutter in the curves and bring it to the maximum opening.



10. Insert the guides and fix them\*.



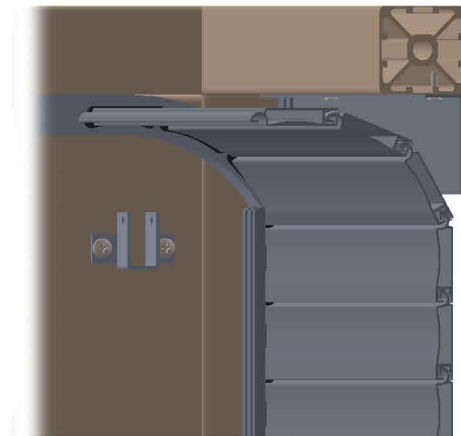
\* It is highly recommended to use screws TPS  $\varnothing 3.5 \times 19$ .

**FROM STEP 11 TO 15 ONLY FOR *ECO PLUS* VERSION WITH THE PRE CHARGED ROLLER**

11. Drill and fix the holders under the curves, according to the wrapped of the belts.  
Use TC  $\varnothing 4.8 \times 12$  supplied screws.



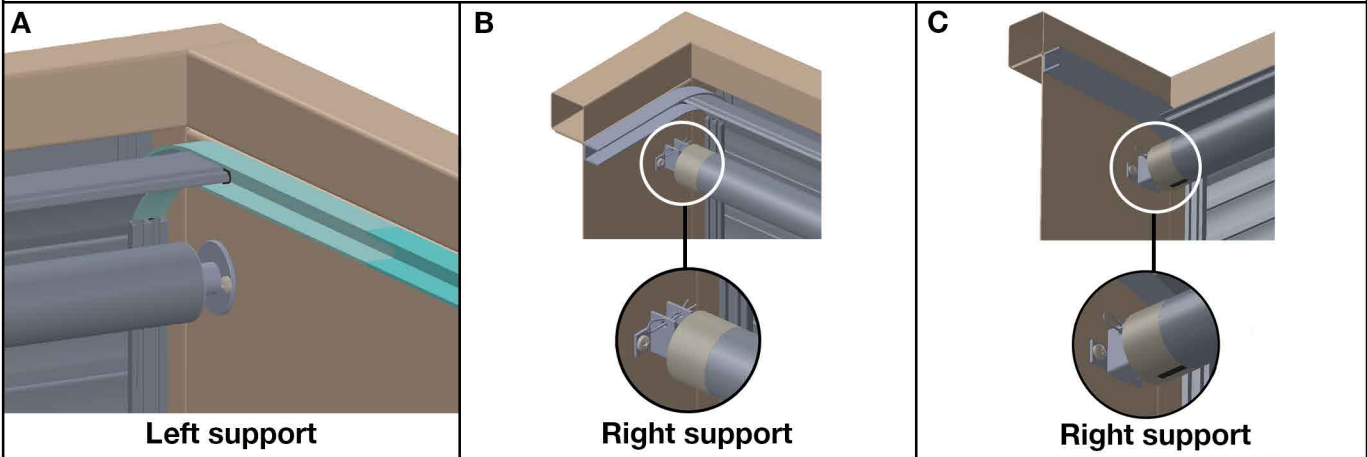
*Left support*



*Right support*

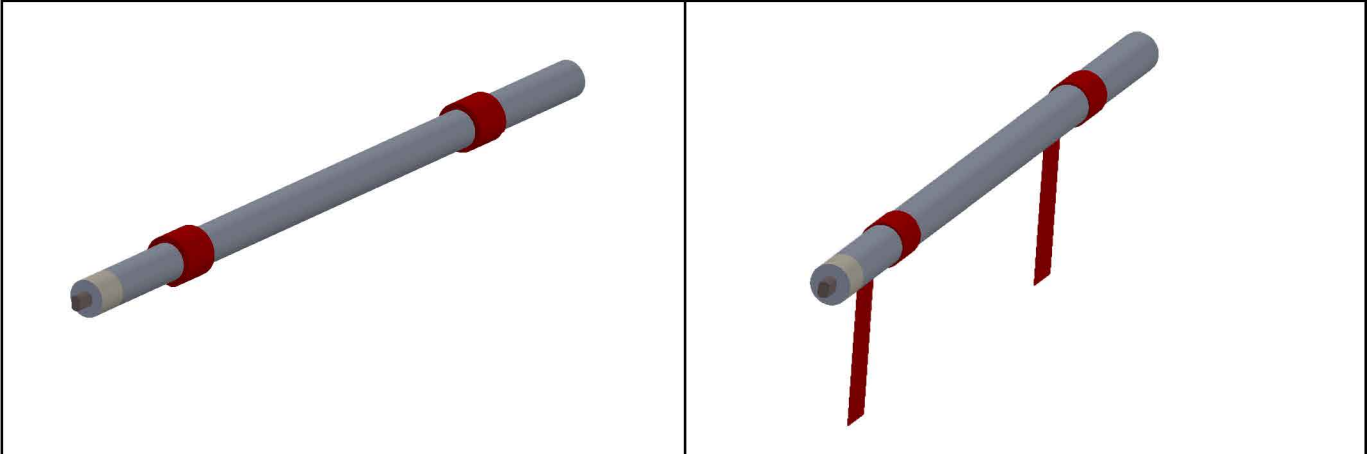


**12. Insert the roll in the holders.**

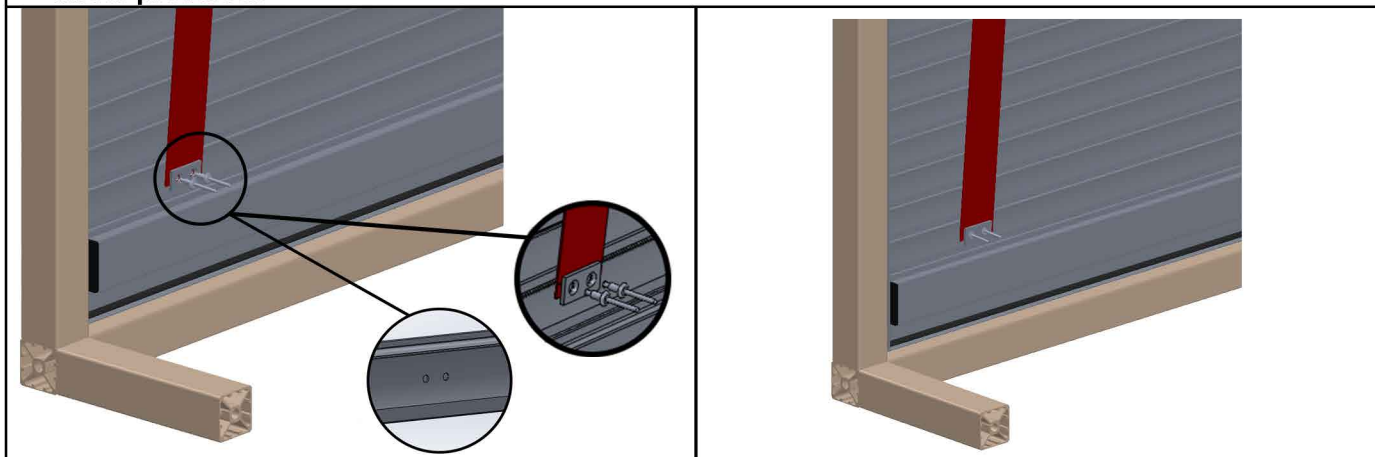


**WARNING:** Insert the beta pin in the right support (B);  
The black band must be downwards (C).

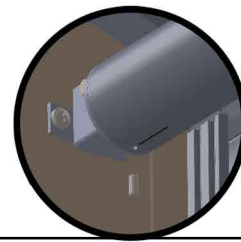
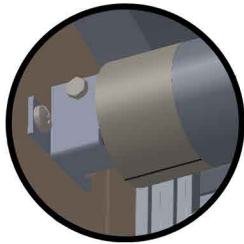
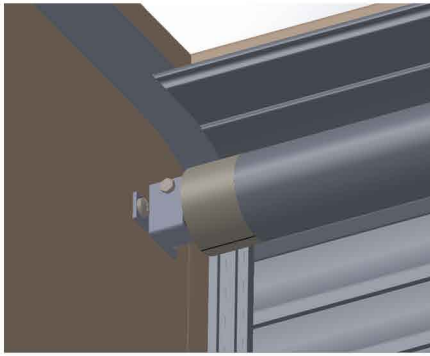
**13. Unwind the belts until they reach the last shutter profile at the bottom.**



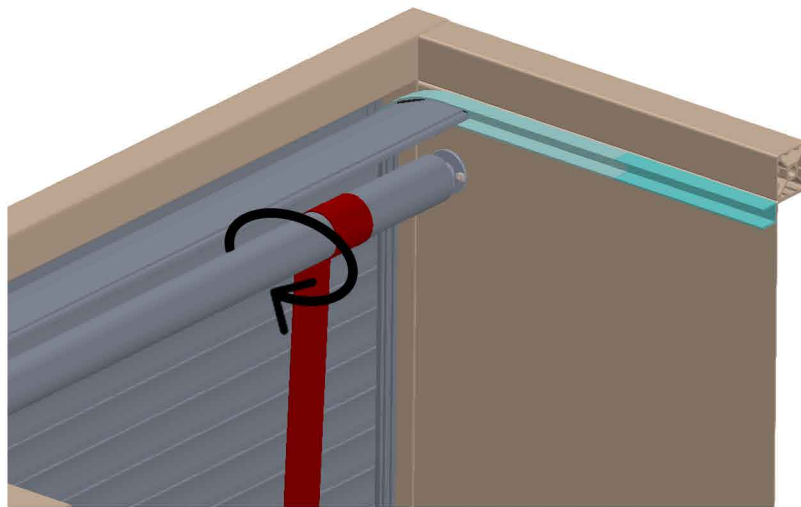
**14. Fix the belts to the last shutter profile at the bottom, prepared for fixing, using the plates and the rivets provided.**



**15. Remove the paper from the roll, the black band must be facing downwards.**  
**WARNING: The safety pin will come off and the roller will be in the charging position.**

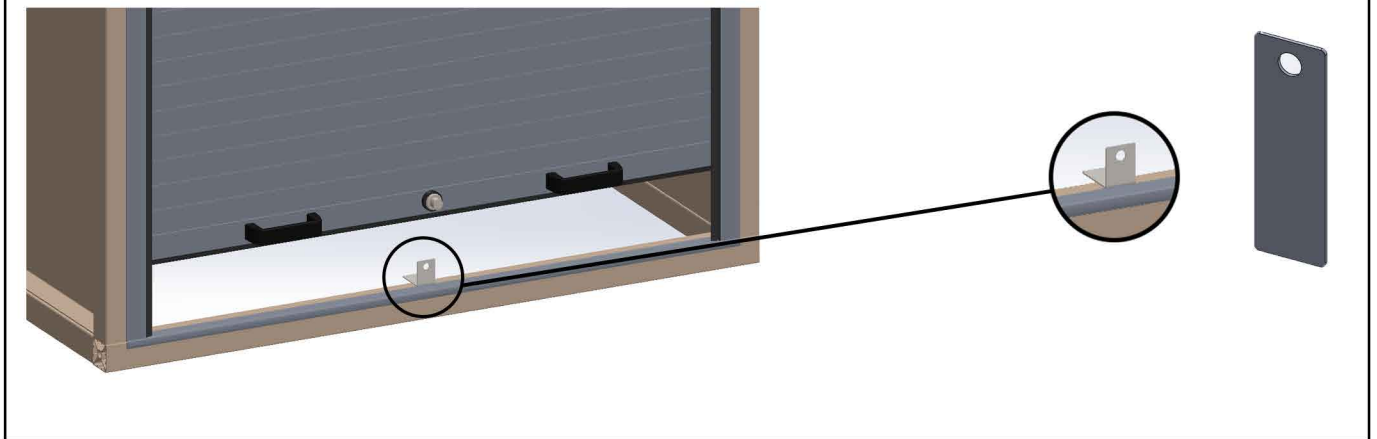


**16. Hold the roller by making it a half turn towards the inside of the compartment.**  
**The belts will wind up and the shutter will slide all the way under the roof.**

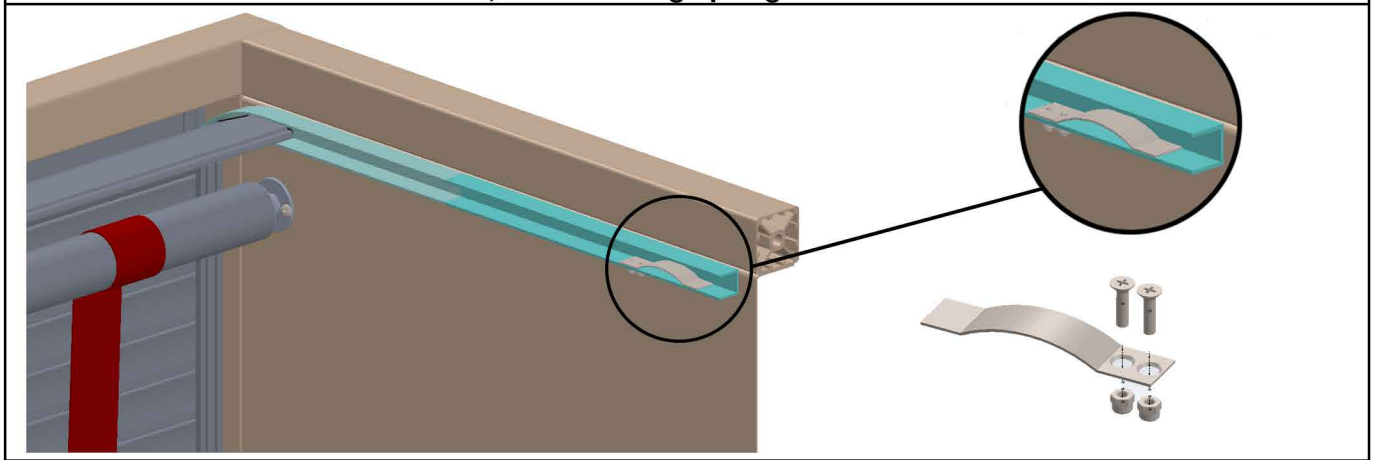


**FIXING CLOSING SYSTEM T1.**

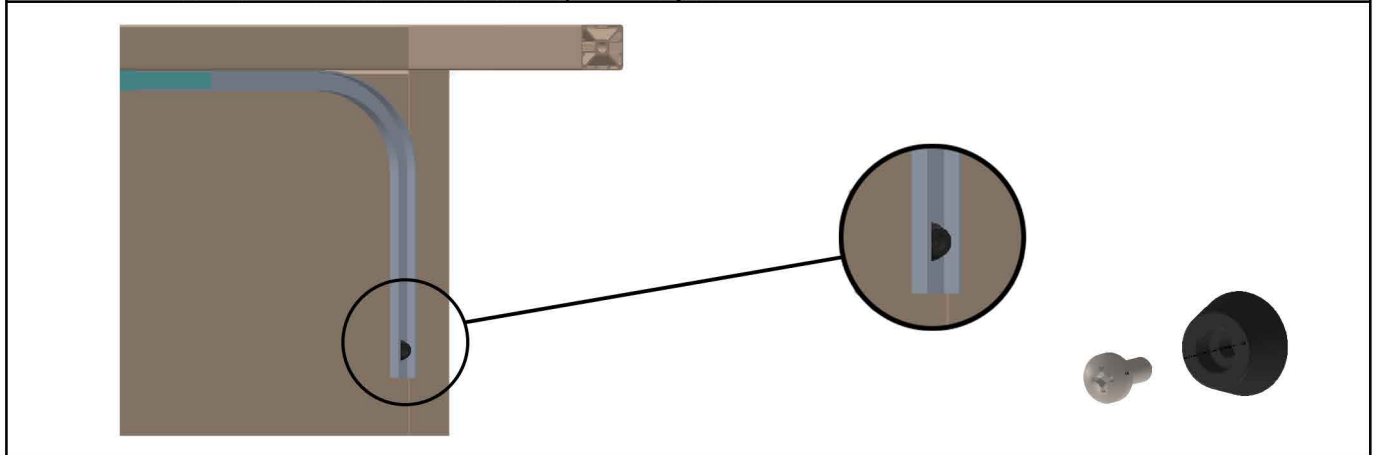
**17.A - Fix the plate to the frame.**



**17.B - One curve and one extension, fix the holdig spring.**

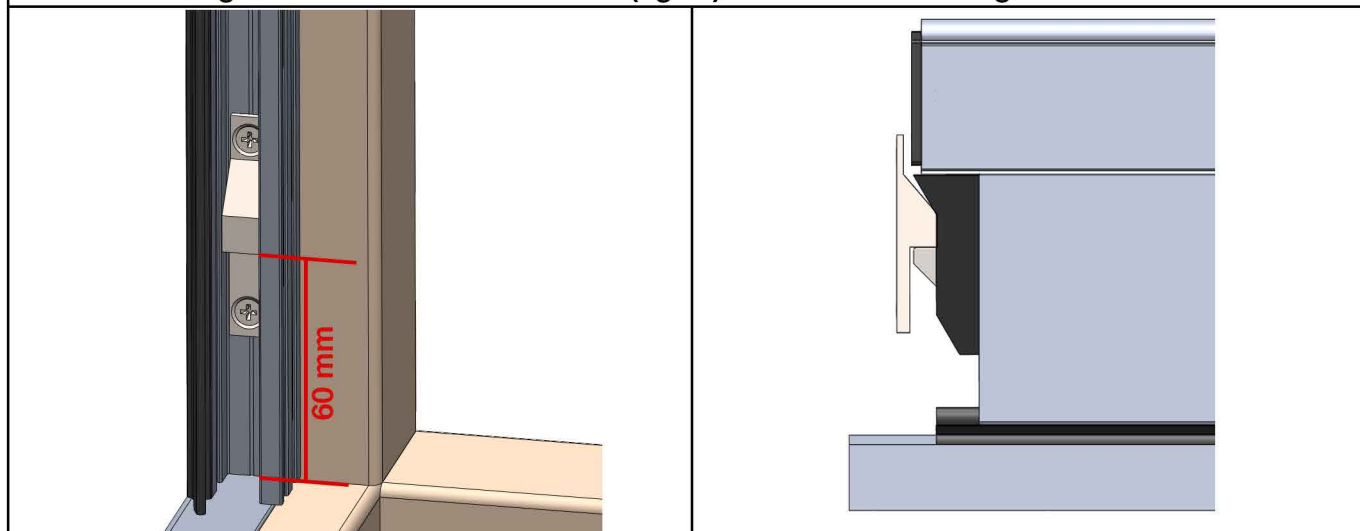


**17.C - Two curves and back extensions, fix the pad.**



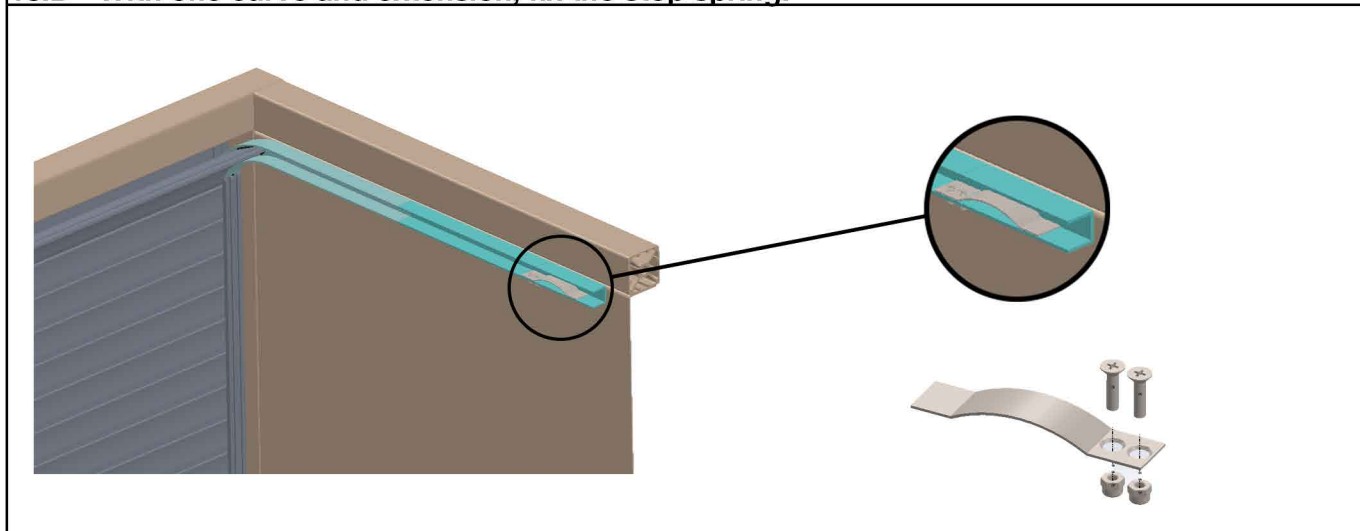
**FIXING CLOSING SYSTEM T2**

**18.A - Drill the guide and fix the lower block (aglas) at 60 mm from the ground.**

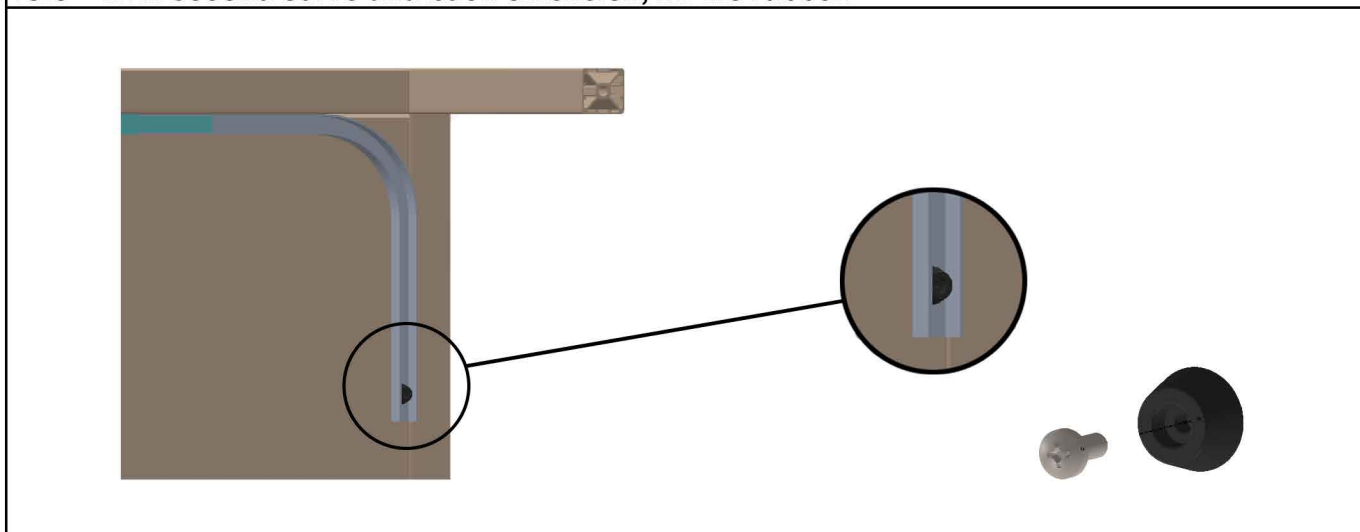


**IN CASE OF ECO MODEL**

**18.B - With one curve and extension, fix the stop spring.**

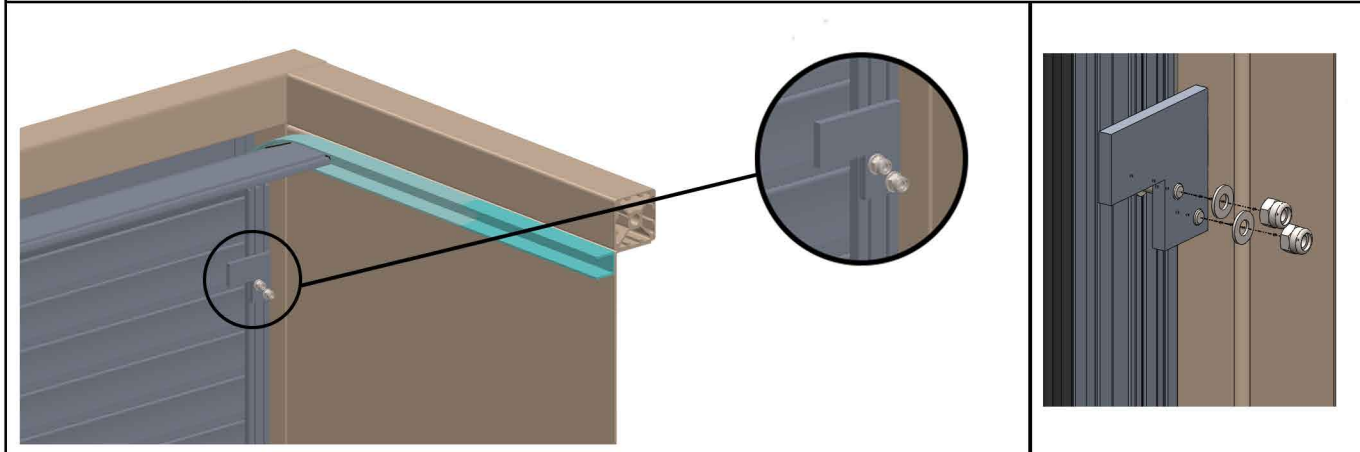


**18.C - With second curve and back extension, fix the rubber.**



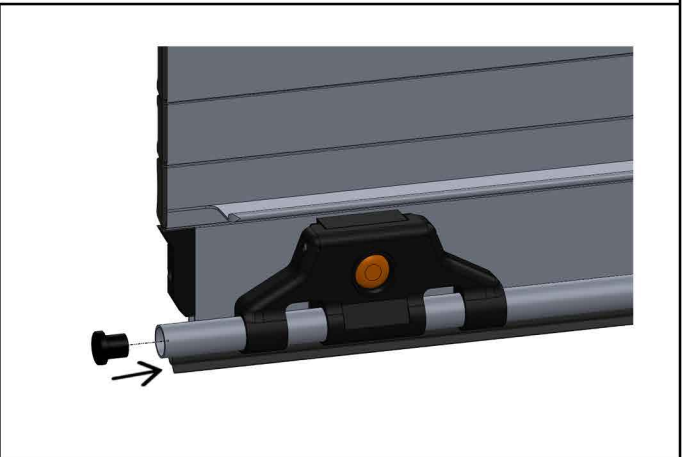
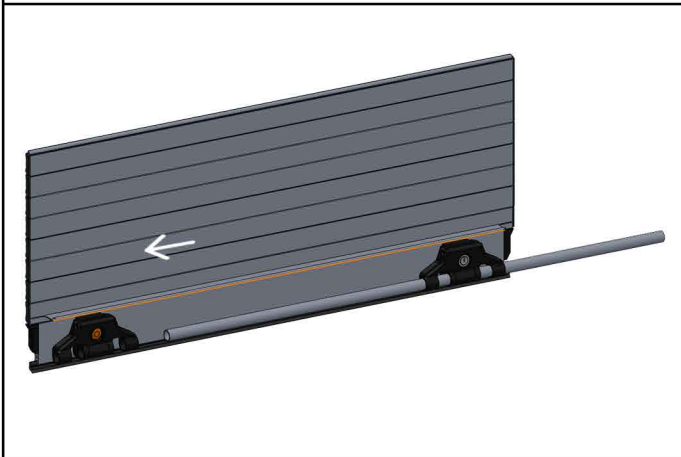
## IN CASE OF ECO PLUS MODEL

18.D - Fix the upper block.

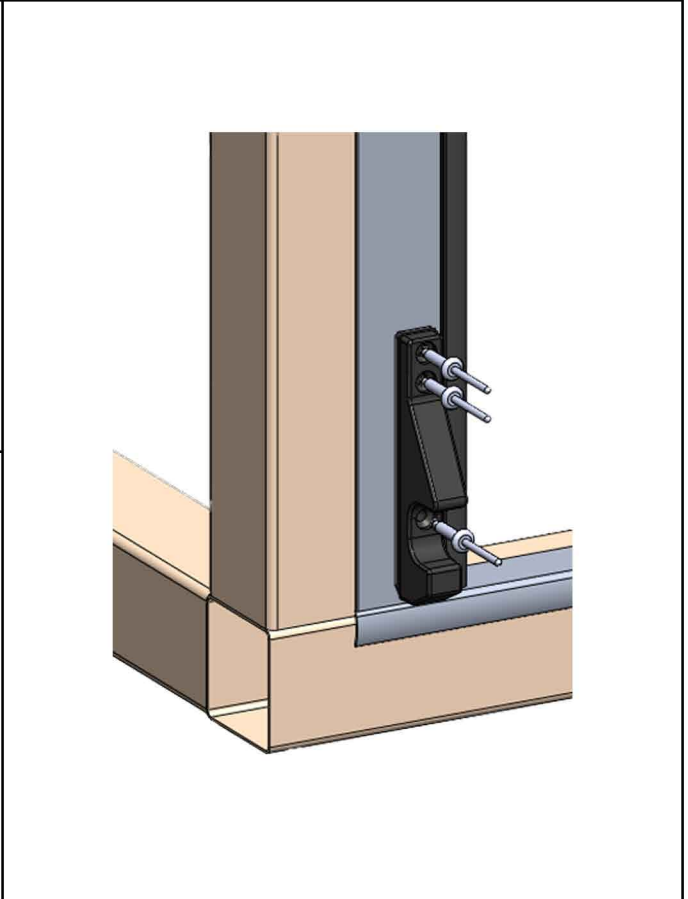
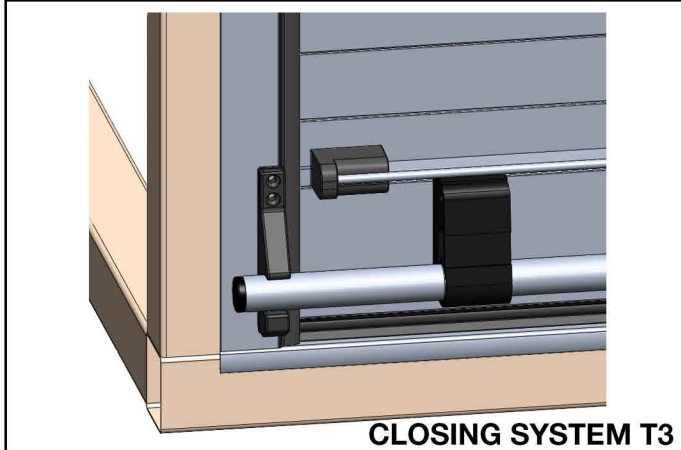


**FIXING CLOSING SYSTEM T3 e T5.**

**19.A** Insert the tube  $\varnothing 20$  (Ws + 20 mm) in the blocks (A). After that, insert the plugs in the tube (B).

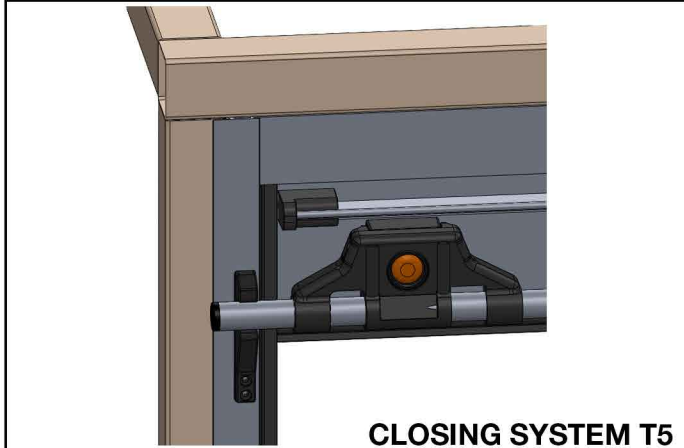
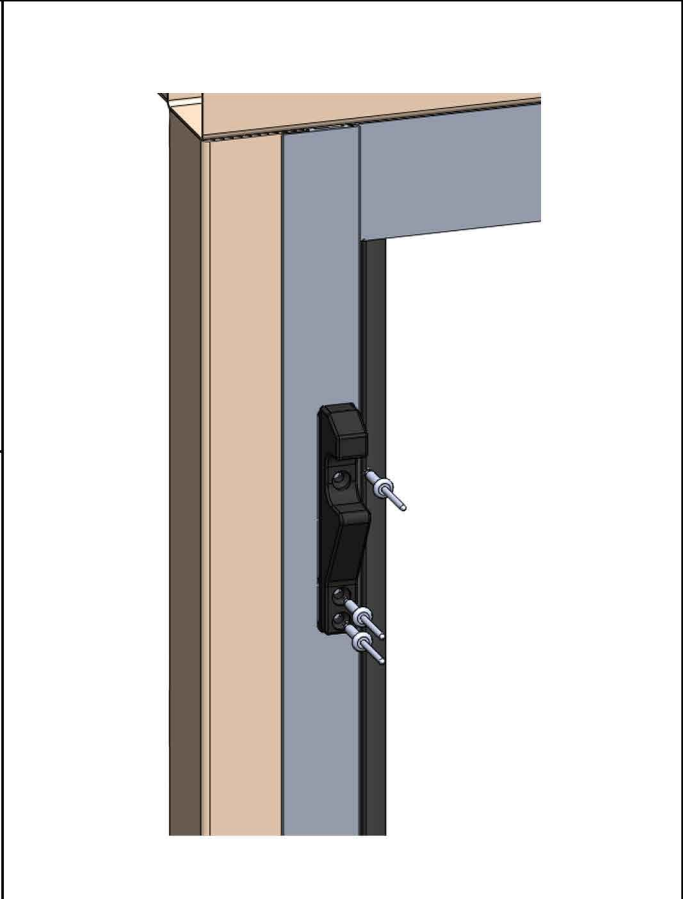
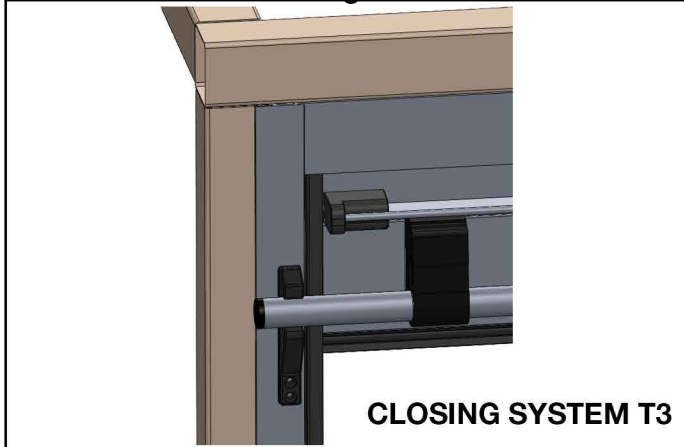


**19.B - Fix the lower block (aglas)**



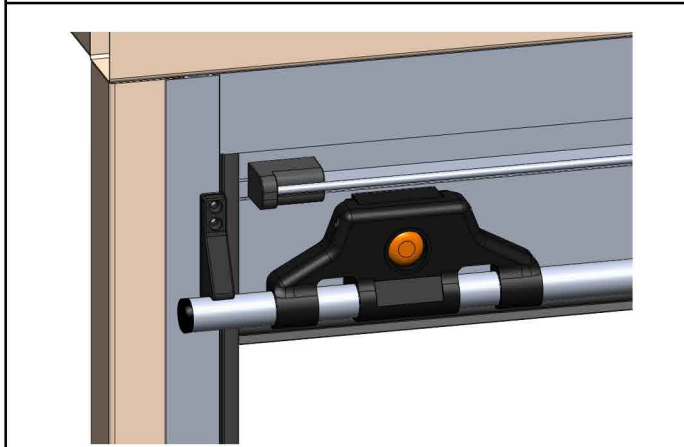
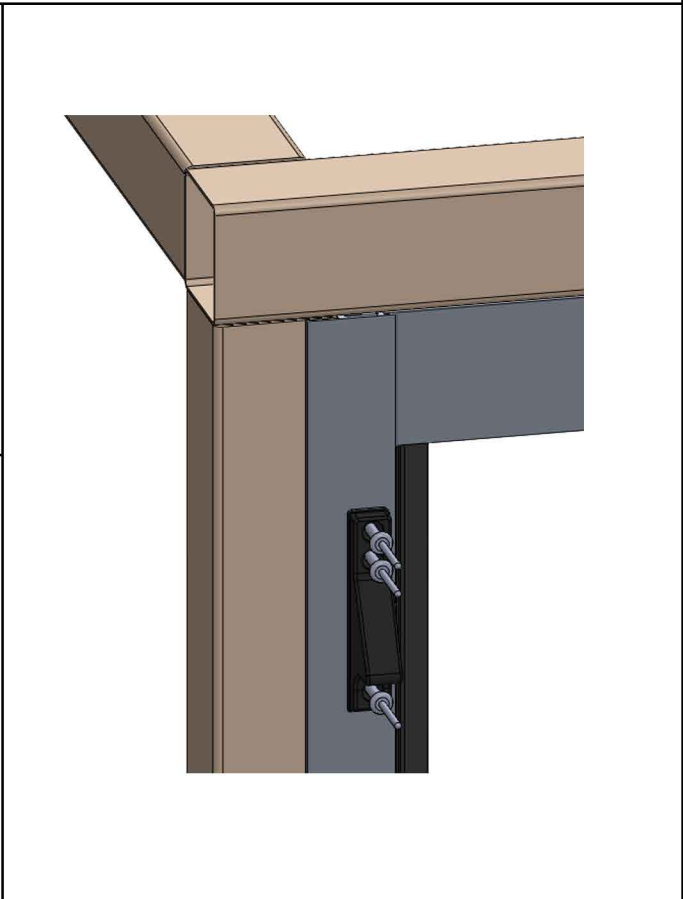
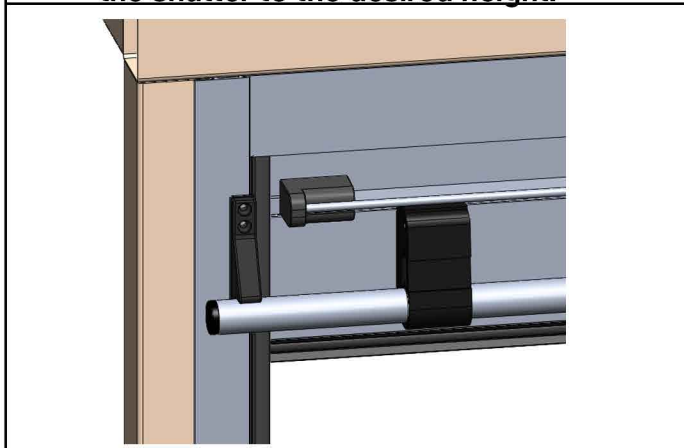
**ECO**

**19.C - Fix the same aglas, but upside down, in the higher part of the guide bringing the shutter to the desired height.**



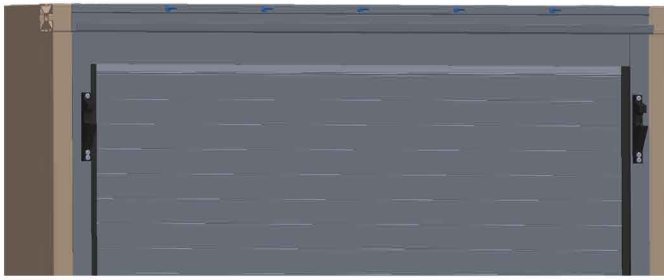
**ECO PLUS**

**19.D - With Eco Plus model, fix the upper aglas in the higher part of the guide, bringing the shutter to the desired height.**

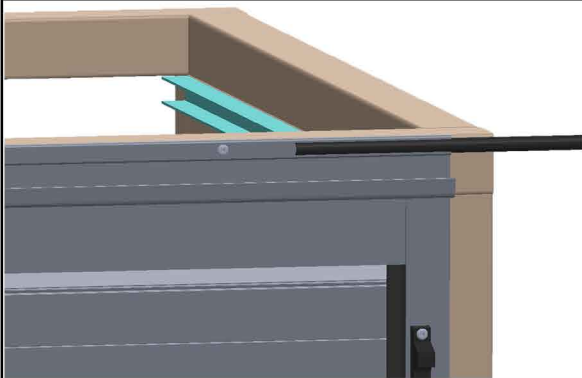
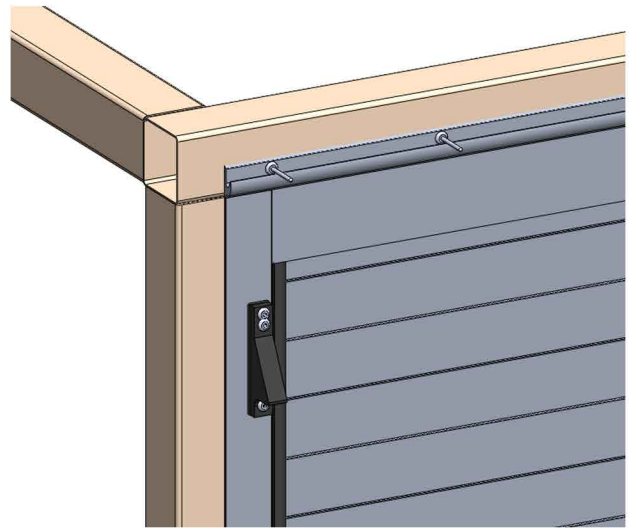


20. Drill and fix the gutter profile (optional). Insert the rubber if you mount the big gutter profile.

**BIG GUTTER PROFILE**



**SMALL GUTTER PROFILE**



**BIG GUTTER PROFILE**



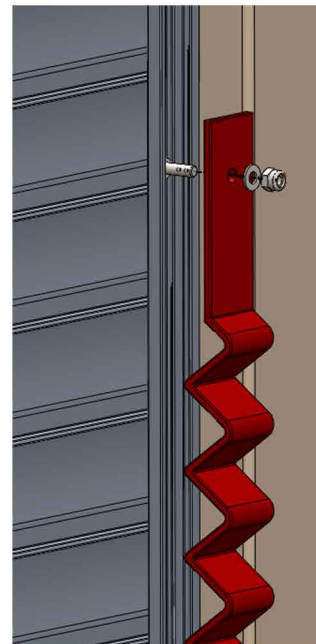
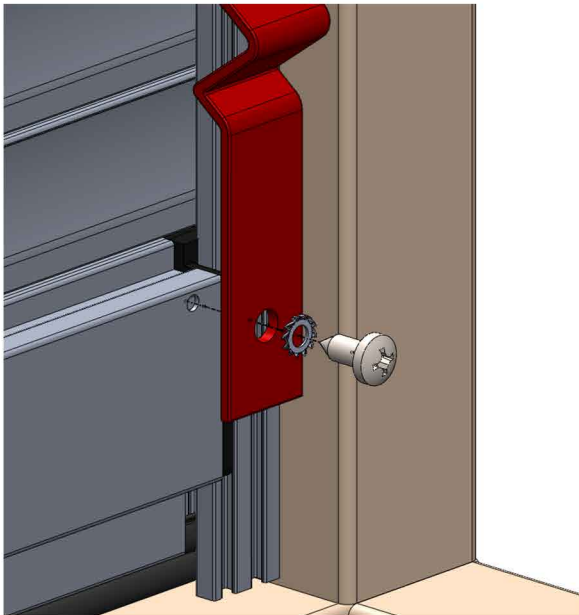
**SMALL GUTTER PROFILE**



**ONLY FOR ECO PLUS MODEL**

21. Drill and fix one end part of the pulling belt by the supplied screws. Hole  $\varnothing 4$ .

With the shutter open, fix the other end part of the belt to the side wall of the compartment.





**22. The shutter is ready to be used.**

