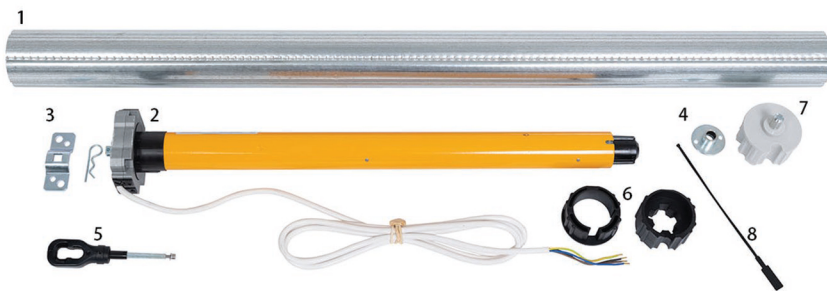
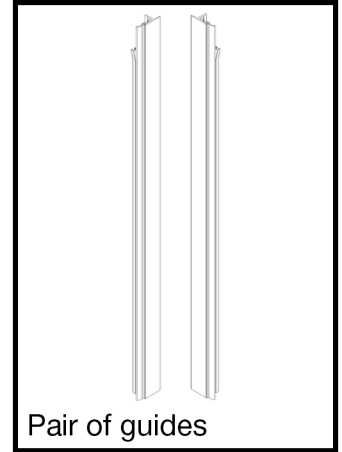
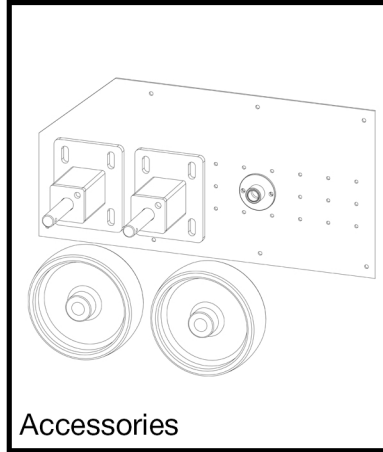
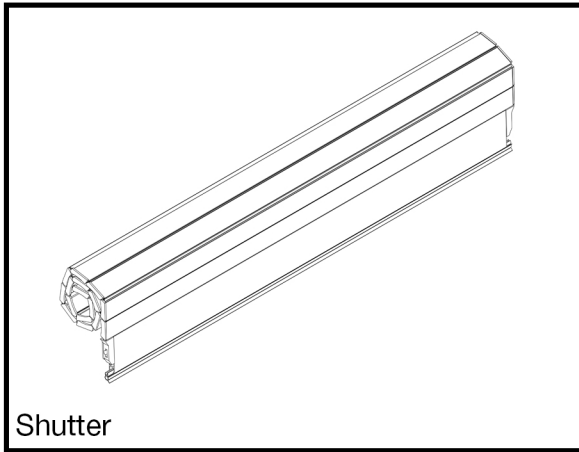




Installation instructions **TOP-E**

TUBULAR MOTOR

Common parts



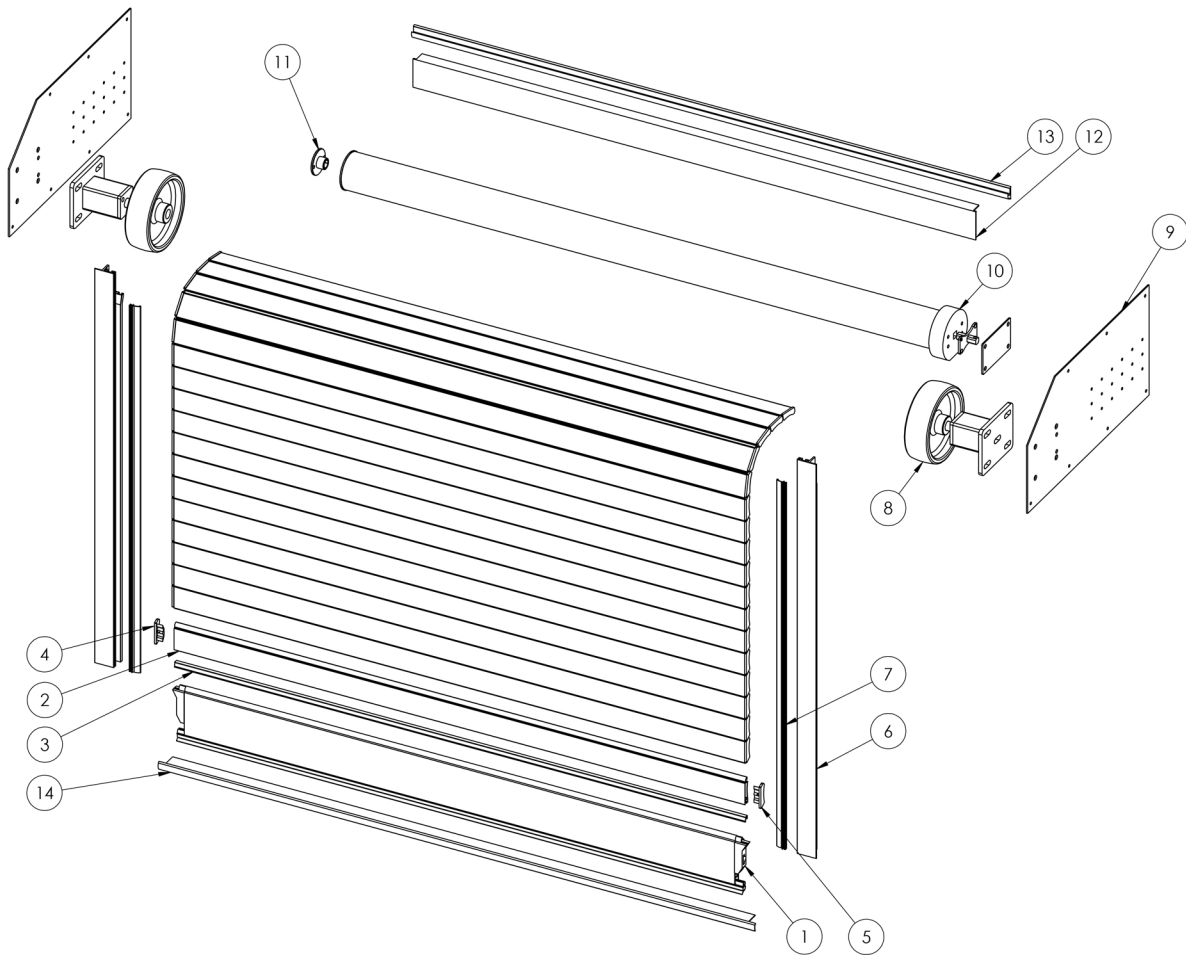
Tubular motor and accesories

POSITION	DESCRIPTION
1	Zincoated Roller BAT
2	Motor
3	Right roller support
4	Left roller support
5	Buttonhole
6	Adapters
7	Cap
8	PIN

TUBULAR MOTOR 12V-24V-230V

	12v	24v
Lifting capacity @20Nm	30kg	n.a
Lifting capacity @35Nm	n.a	55kg
Emergency system	YES	NO

	230v NO RADIO	230V RADIO
Lifting capacity @30/50/80/100Nm	56/96/120/150 kg	56/96/120/150 kg
Emergency system	YES	YES
Wireless remote control + cover	NO	YES
Selector with key (optional)	YES	NO
Button (optional)	YES	NO



Num. Art.	Codice Code	Descrizione	Description	Q.tà Q.ty
1	70900	Terminale E-T8	Closing system E-T8	1
2	70001.38	Profilo serranda H38	Shutter profile H38	N
3	70004	Gomma intermedia	Middle rubber	N
4	70002.SX.38	Pattino sinistro H38	Left sliding plate H38	N
5	70002.DX.38	Pattino destro H38	Right sliding plate H38	N
6	70003.MP1/A 70003.MP2/A 70003.MP4/A 70003.MP5/A	Guida MP1 Guida MP2 Guida MP4 Guida MP5	Side profile MP1 Side profile MP2 Side profile MP4 Side profile MP5	2
7	70005	Gomma di tenuta anteriore	Seal rubber	2
8	70022_125	Gruppo ruota ø125	Wheel group ø125	2
9	70016	Piastra di fissaggio XL	Fixing plate XL	2
10		Motore 12V - 24V - 230V con supporti	Motor 12V - 24V - 230V with holders	1
11	70018	Supporto perno con bronzina per rullo (SX)	Pin with bearing	1
12	70027	Angolare superiore 50x20 (copertina)	Little cover 50x20	1
13	70011.S 70011.B	Profilo gocciolatoio PICCOLO Profilo gocciolatoio GRANDE	SMALL gutter profile BIG gutter profile	1
14	70014.S 70014.B	Profilo battuta PICCOLO Profilo battuta GRANDE	SMALL lower profile BIG lower profile	1

1. Drill and fix the lower profile (optional).

	<p>SMALL LOWER PROFILE</p>		<p>BIG LOWER PROFILE</p>
			<p>Lower profile supplied 25 mm longer than width (Ws) for a correct matching between lower profile and guides.</p>

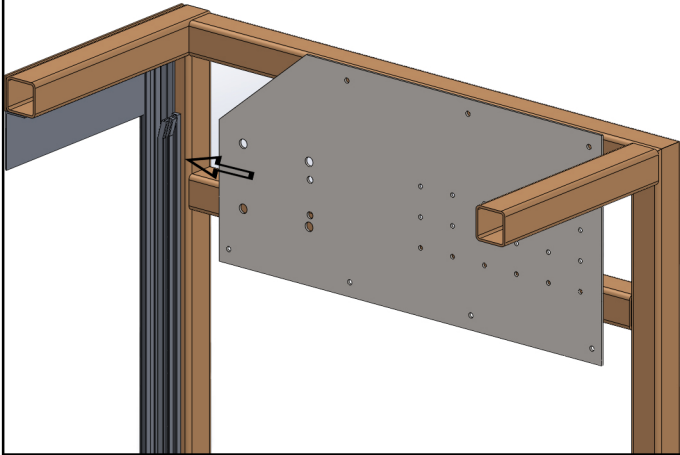
2. Drill and place the guides, fixing them temporarily.

		<p>WARNING: Without the exact length of the guides (Hg) they will be supplied long as the total height (Htot).</p> <p>Drill and countersink for screws $\varnothing 3.5 \times 19$</p>
--	--	--

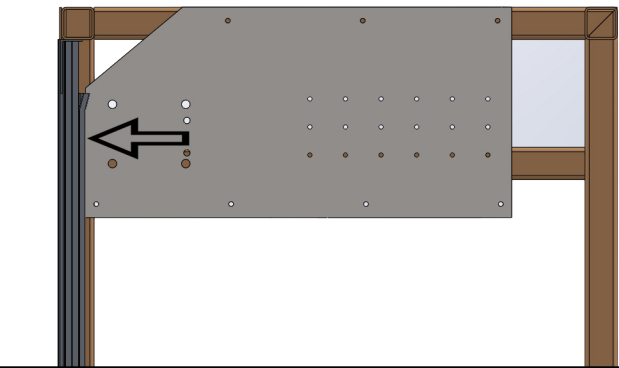
3. Drill and fix the little cover, L profile 50 x 20 (optional).

	<p>WARNING: The little cover will be supplied long as the width (Ws). Shorten and machine it for matching it with the guides.</p>
--	--

4. Fix the plate correctly as shown below, on the opposite side of the motor.

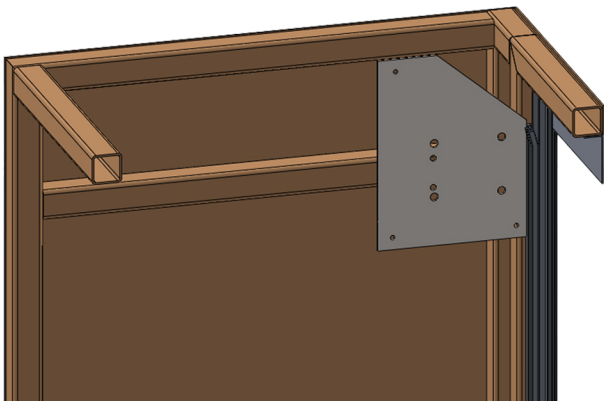


WARNING: The plate must be fixed against the guide.

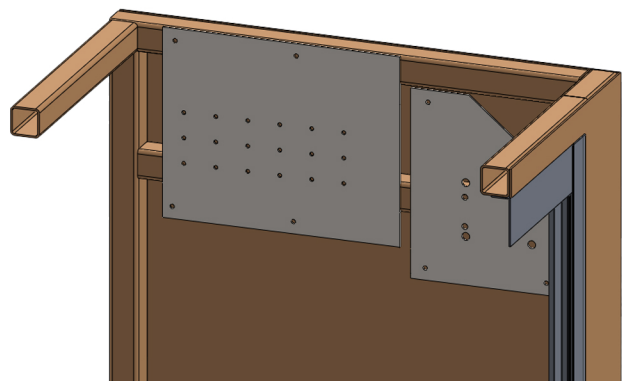


5. Cut the plate in two parts. Place the front part against the guide (A).
Place the rear part externally the side of the doorway (B)
All the holes must be matching the others on the plate fixed before.

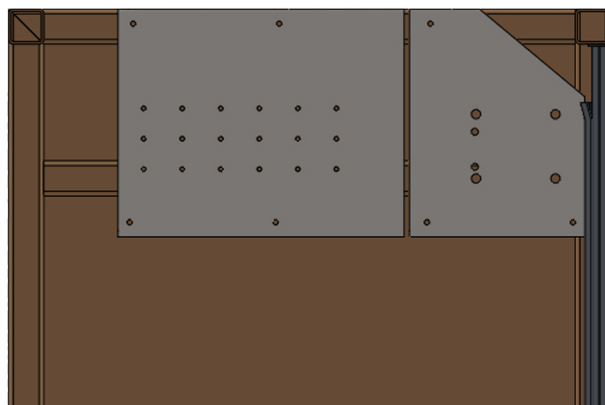
(A)



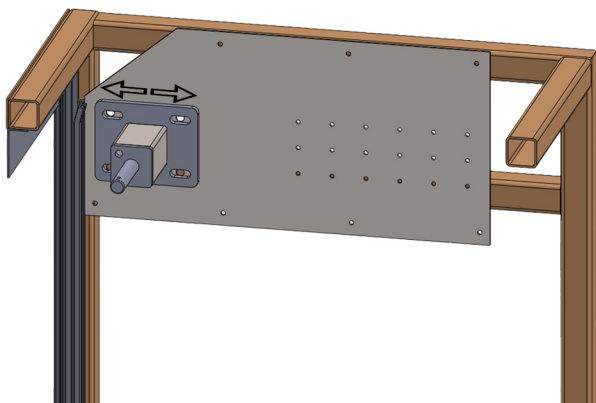
(B)



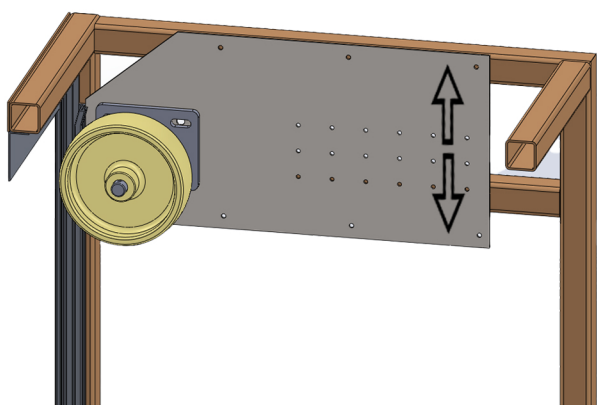
(B)



6. Fix the supports and the wheels to the plates. Define the correct position of the wheel taking into account the information below.

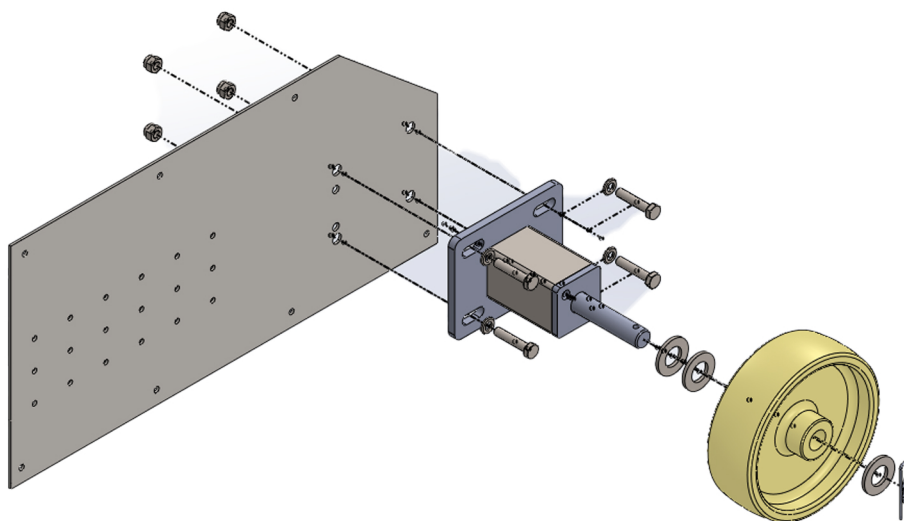


A Move right or left, ONLY the wheel axle, leaving the plate against the guide.

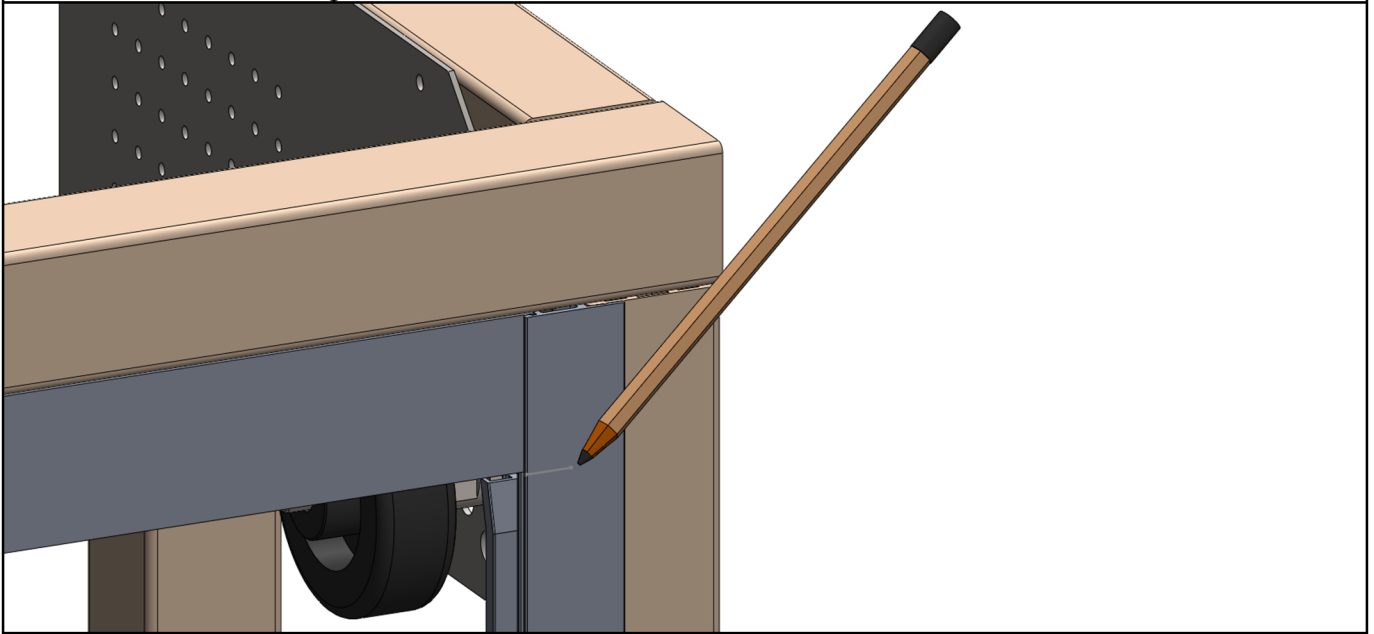


B Move the plate and the pin up or down with the wheel, always leaving the plate against the guide.

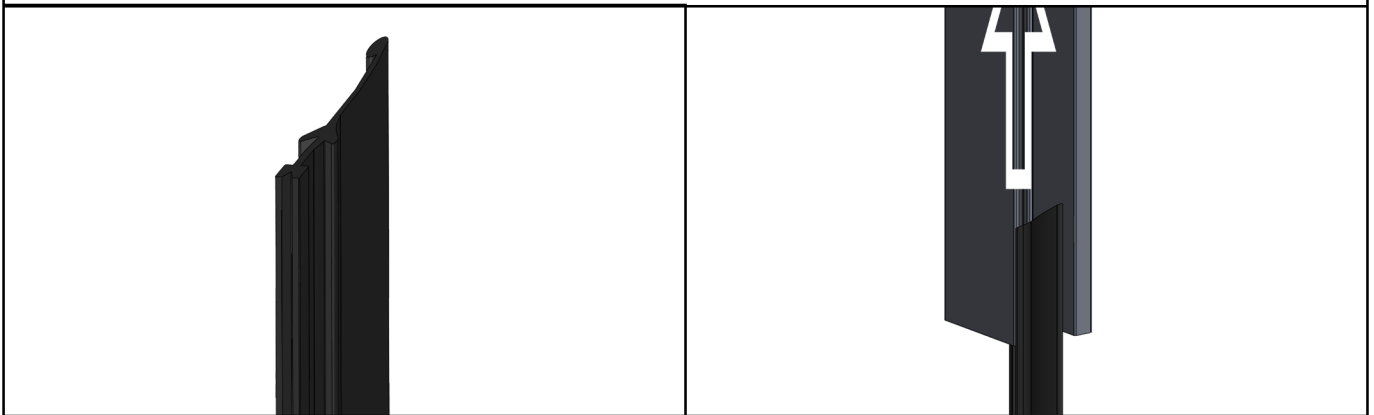
WARNING: Adjust the wheel in order so that close the space (light) between the shutter and your frame or L 50 x 20 little cover (if supplied). This operation should allow a proper function of the shutter, considering the diameter of the wrapped shutter.



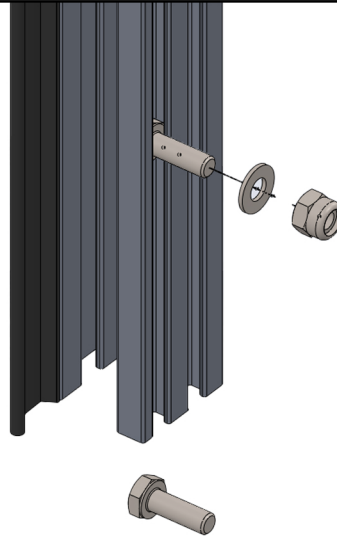
7. Mark on the guide the intersection point between the guides and the little cover - L profile 50x20
The mark will help you to know the correct measure of the seal rubber.
After that **REMOVE** the guides



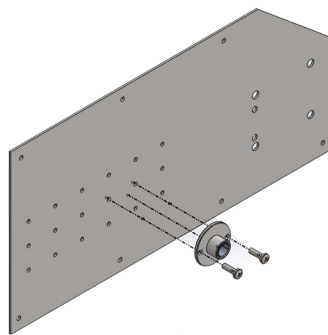
8. Cut the seal rubber diagonally and insert it in the guides, after that cut to measure considering the mark made before (point 6).



10. In case of 12V or 24V motor, as optional you have LED, insert into the guide the supplied bolts, for their fixing, as the image below.



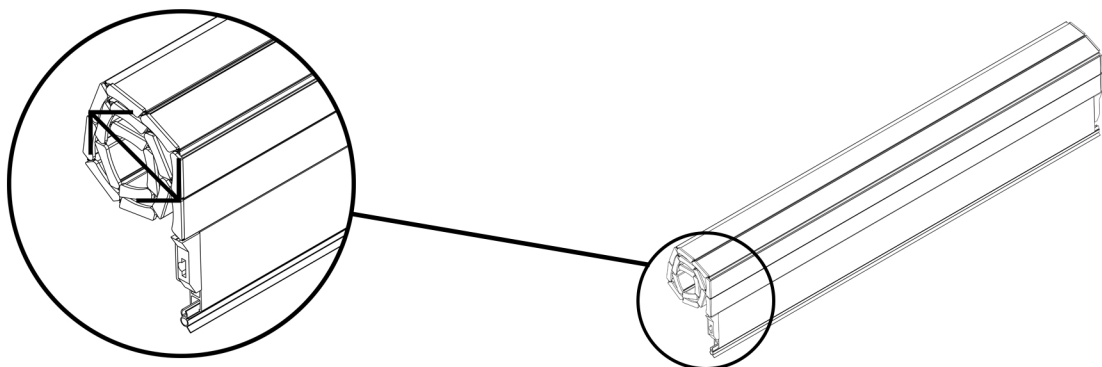
11. Screw the roll holder into the correct position, considering the diameter of the wrapped shutter. The roll holder should not interfere with the roof or other parts of the bodyworks or the shutter.



Roll holder

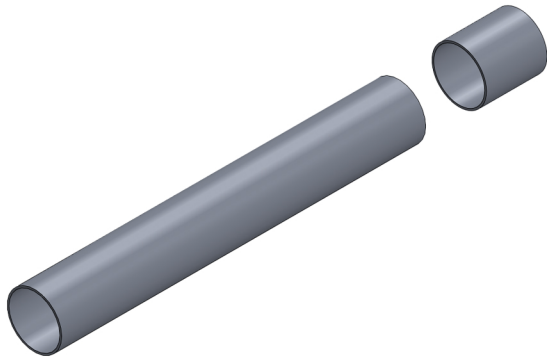
WARNING: Fix the roll holder to the plate opposite the motor.

11a. Wrapped diameter obtainable by measuring the wrapped shutter as received.

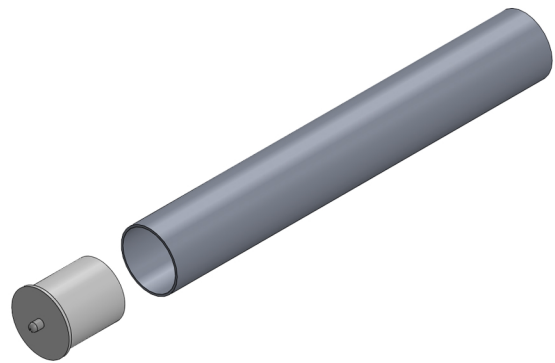


12. Cut the zinc-coated iron tube (A) and fix the hexagonal plug by the supplied screws* (B);
insert the motor in the tube and fix the square pin (C).

(A)

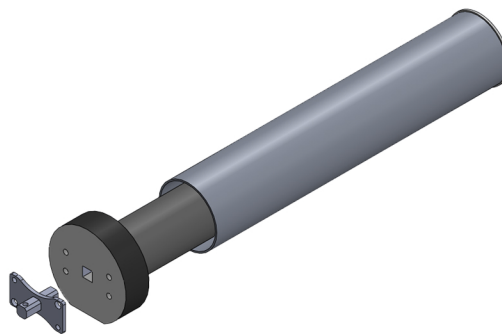


(B)



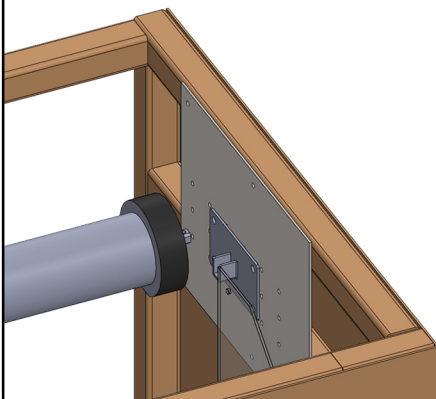
*Screw TC M5

(C)

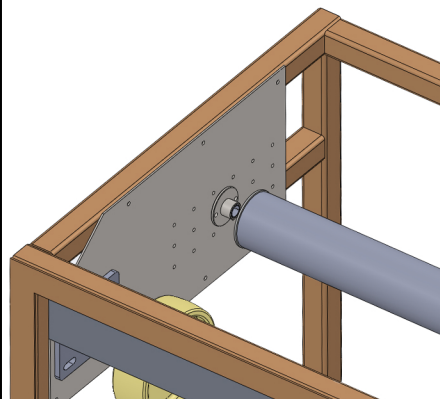


13. Place the roll in its holders.

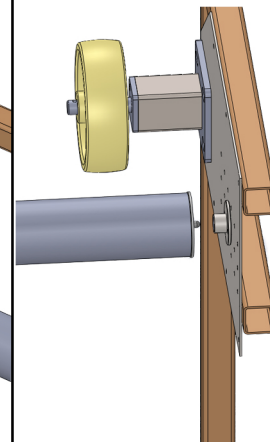
Motor side



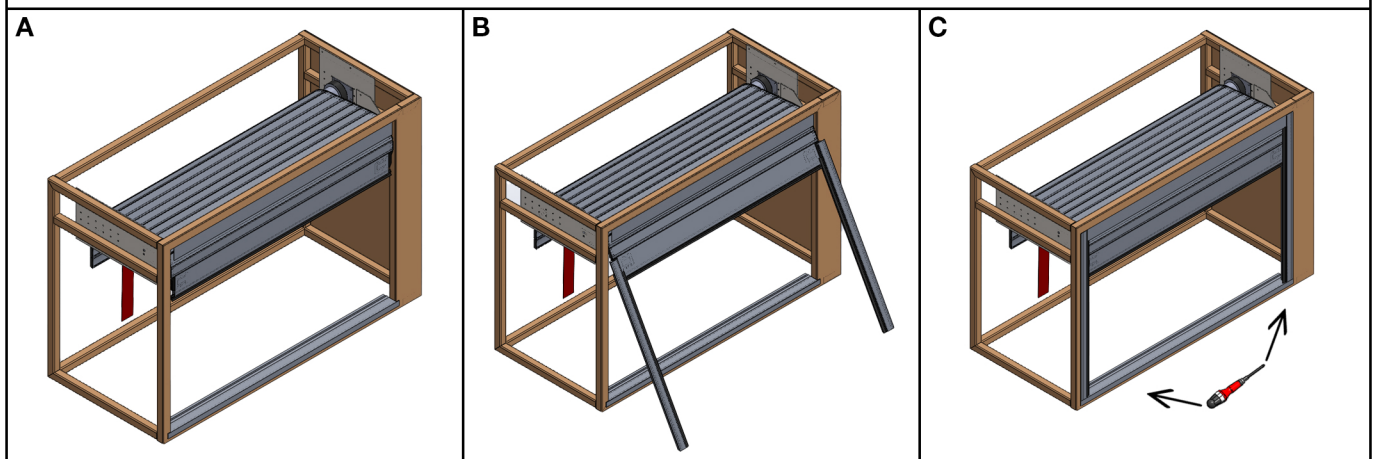
Roll support side



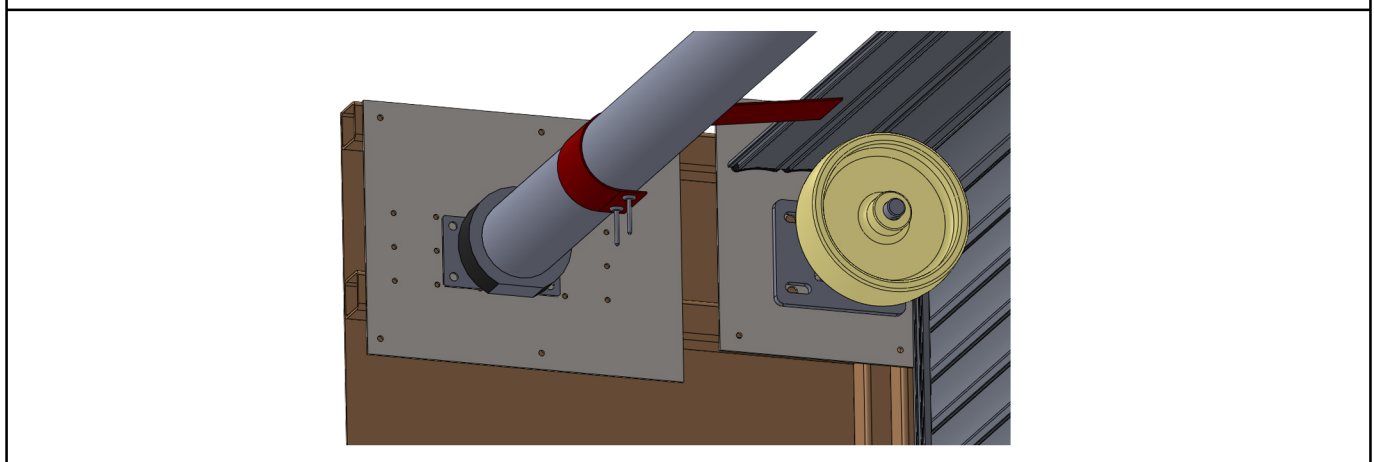
Roll support side



14. Place the shutter above the roll, bringing it to its maximum opening (A).
Place the guides and make sure that the shutter remains inside them (B);
Complete any drilling and countersinking of the guides and fix them (C).

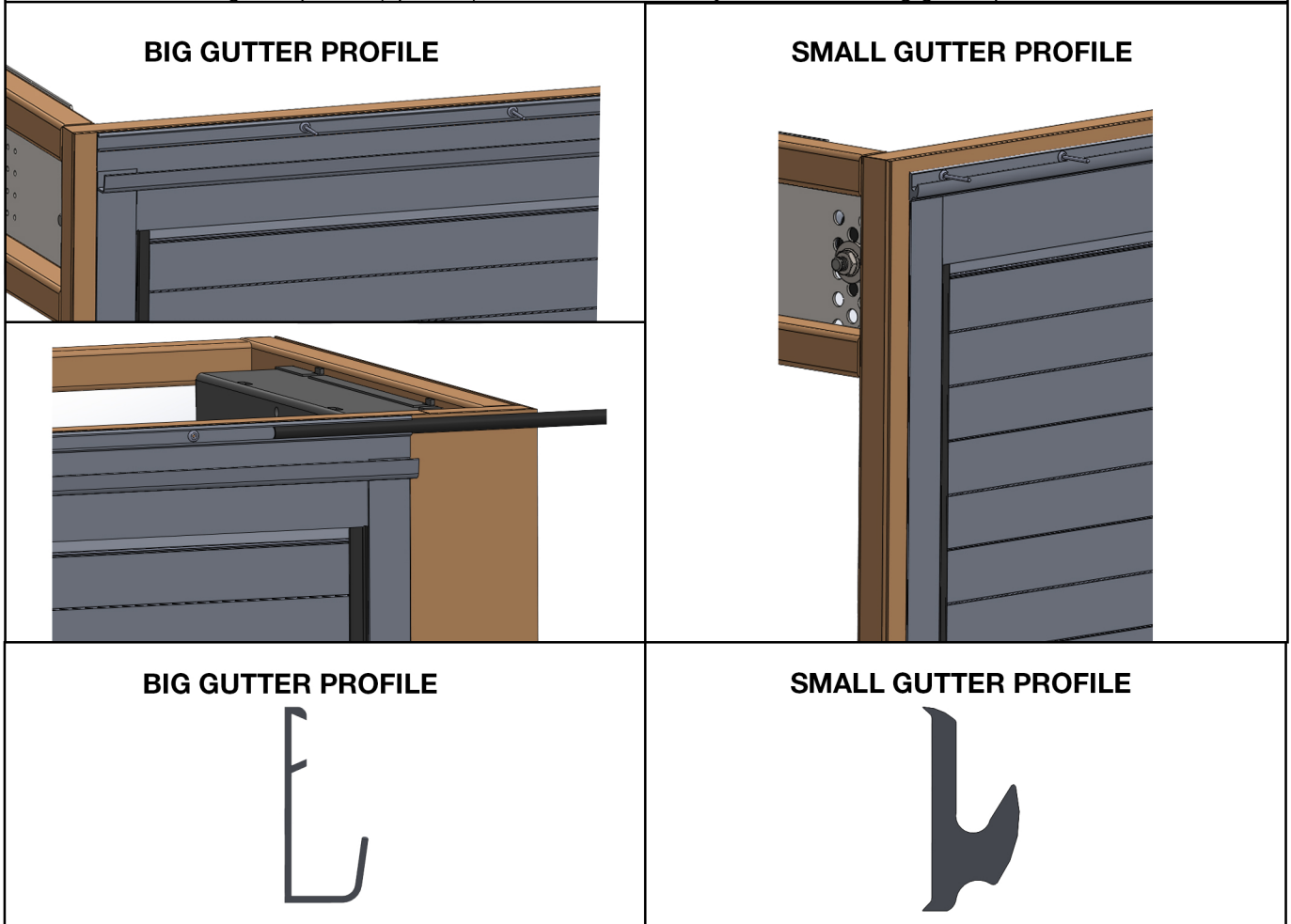


15. Fix the straps to the roll through the supplied rivets - rivets 4,8 x 12 T16 (A).



WARNING: For the motor setting, the limit switch and rescue, refer to the instruction booklet contained in the engine package

17. Drill and fix the gutter profile (optional). Insert the rubber, if you chose the big gutter profile.



18. The shutter is ready to be used. For better sliding over time, it is recommended to grease the side guides with standard mechanical grease.

