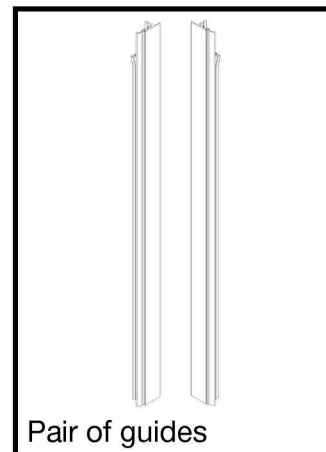
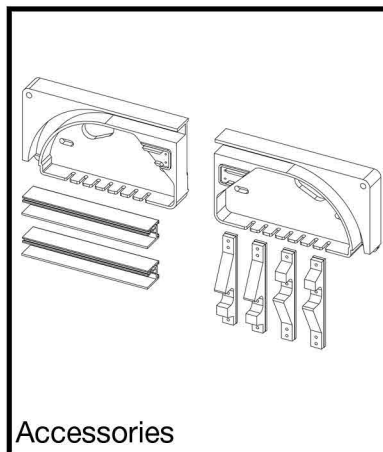
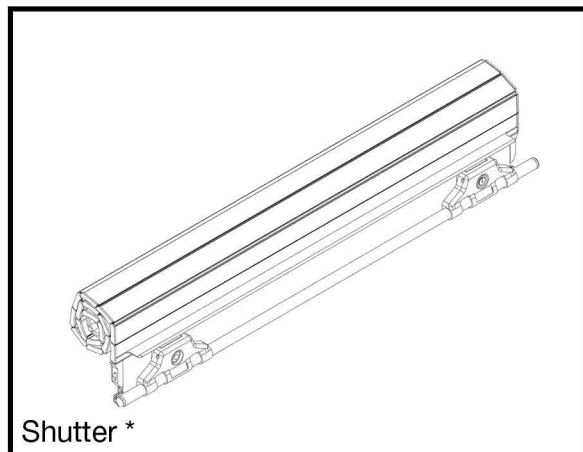




Installation instructions ECO SIMPLY

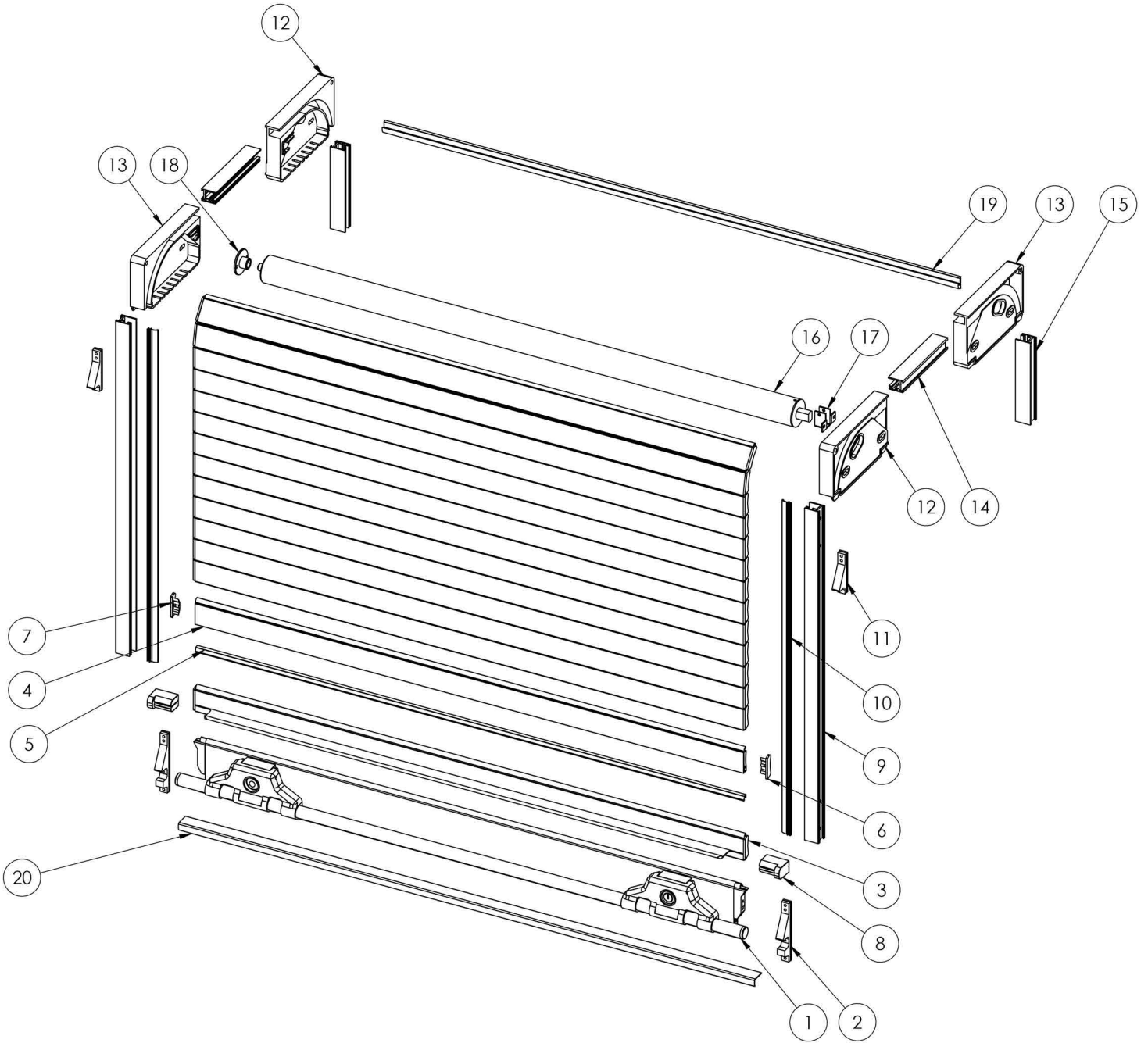
ECO SIMPLY PLUS

Common parts

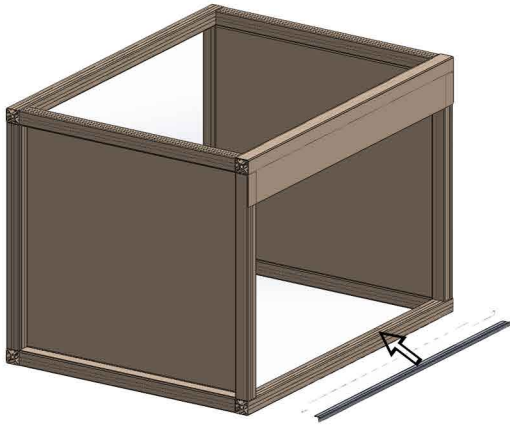


Num. Art.	Codice Code	Descrizione	Description	Q.tà Q.ty
1	70500	Terminale T5	Closing group T5	1
2	70308	Aglas inferiore per T3 e T5	Lower locking for T3 and T5	2
3	70311	Profilo di presa	Grip profile	1
4	70001.30/A 70001.38/A	Profilo serranda H30 Profilo serranda H38	Shutter profile H30 Shutter profile H38	N
5	70004	Gomma intermedia	Middle rubber for shutter profile	N
6	70002.DX.30 70002.DX.38	Pattino destro H30 Pattino destro H38	Right sliding plate H30 Right sliding plate H38	N
7	70002.SX.30 70002.SX.38	Pattino sinistro H30 Pattino sinistro H38	Left sliding plate H30 Left sliding plate H38	N
8	70311.B	Tappo per profilo di presa	Plug for grip profile	2
9	70003.MP8/A	Guida SIMPLY	Side profile SIMPLY	2
10	70005	Gomma guide di tenuta anteriore	Seal rubber	2
11	70309	Aglas superiore per T3 e T5	Upper locking for T3 and T5	2
12	70036.DX	Curva in plastica Destra - SIMPLY	Right plastic curve - SIMPLY	2
13	70036.SX	Curva in plastica Sinistra - SIMPLY	Left plastic curve - SIMPLY	2
14	70037	Prolunga tra le curve - SIMPLY	Extension between curves -SIMPLY	2
15	70038	Prolunga posteriore - SIMPLY	Back extension - SIMPLY	2
16	70020	Rullo ø45	Roll ø45	1
17	70017	Sede-supporto per rullo (DX)	Roll space	1
18	70018	Supporto perno con bronzina per rullo (SX)	Pin with bearing (L)	1
19	70011.S 70011.B	Profilo gocciolatoio PICCOLO Profilo gocciolatoio GRANDE con gomma	SMALL gutter profile BIG gutter profile with rubber	1
20	70014.S 70014.B	Profilo battuta PICCOLO Profilo battuta GRANDE	SMALL lower profile BIG gutter profile	1

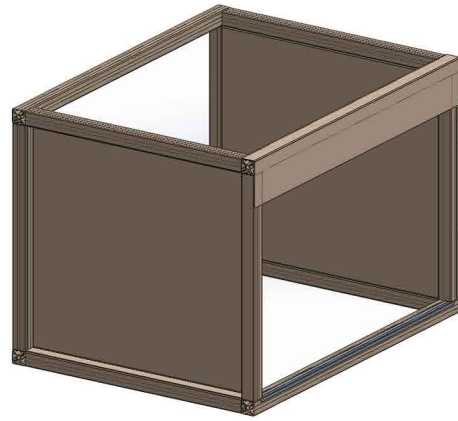
* ECO SIMPLY PLUS model includes a pre-charged roll.



1. Drill and fix the lower profile (optional).



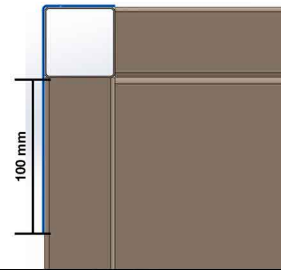
BIG LOWER PROFILE



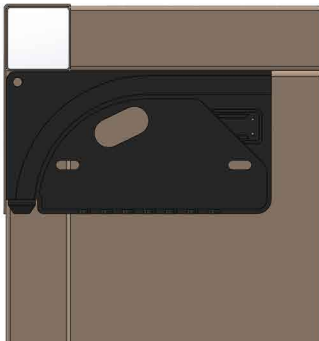
SMALL LOWER PROFILE



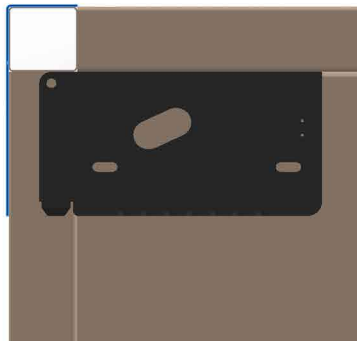
WARNING: The cover needs to be made by the customer as part of the bodywork. Minimum length 100 mm.



2. Drill and fix the curves.

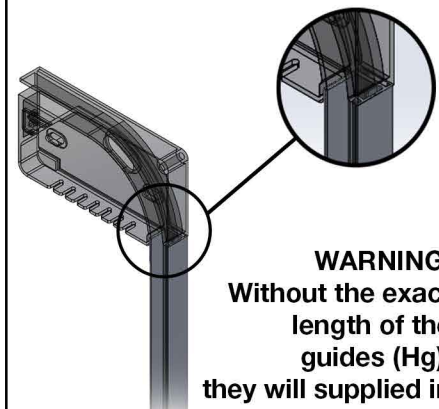
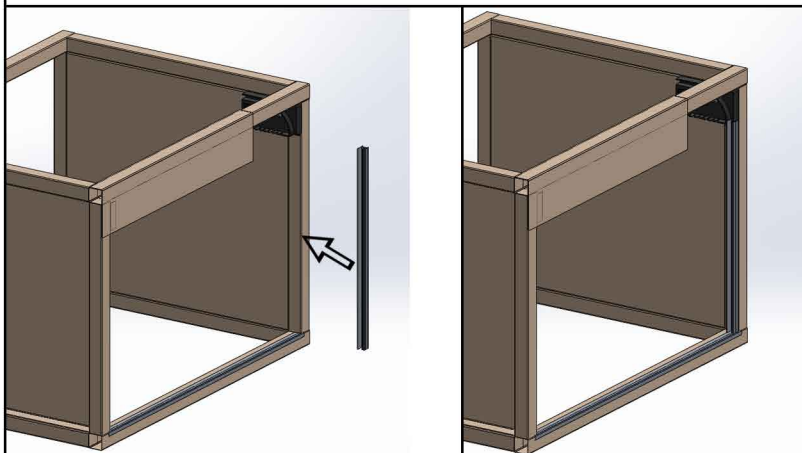


A. Fixed in light.



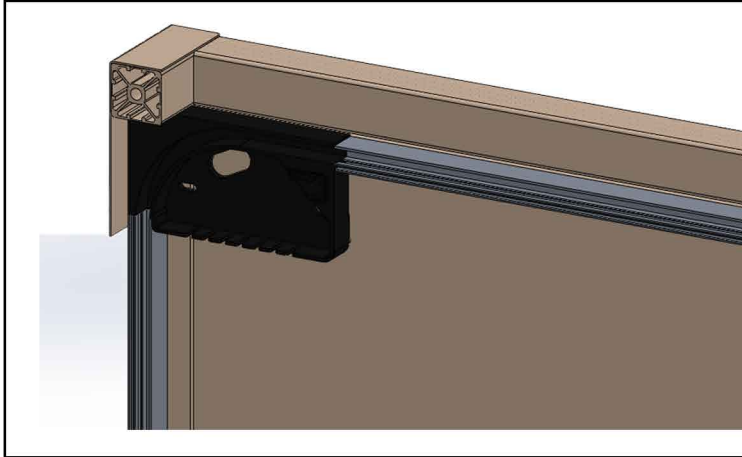
B. Fixed in retracted position.

3. Fix the guides temporarily, connecting them with the curves in the appropriate seat.



WARNING: Without the exact length of the guides (Hg), they will supplied in length $H_{tot} - 90mm$

4.a Drill and fix* the extensions. $P > H$

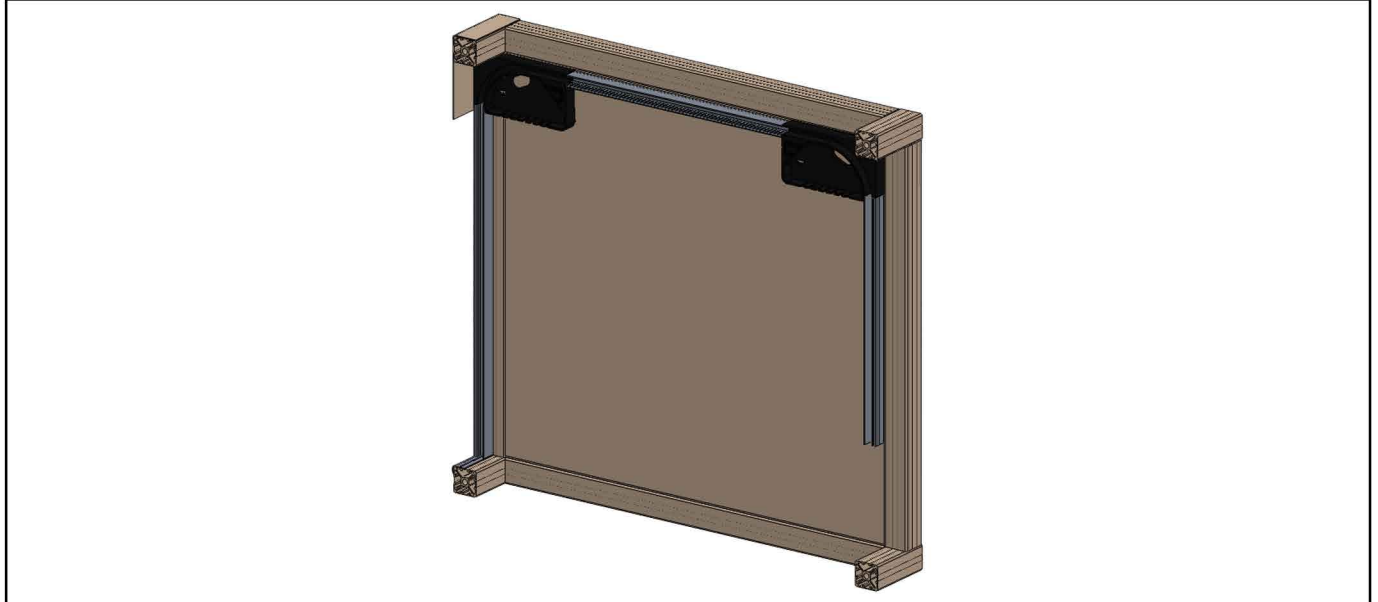


Drill and countersink along the central groove.

4.b Drill and fix* the second curve. $H > P$



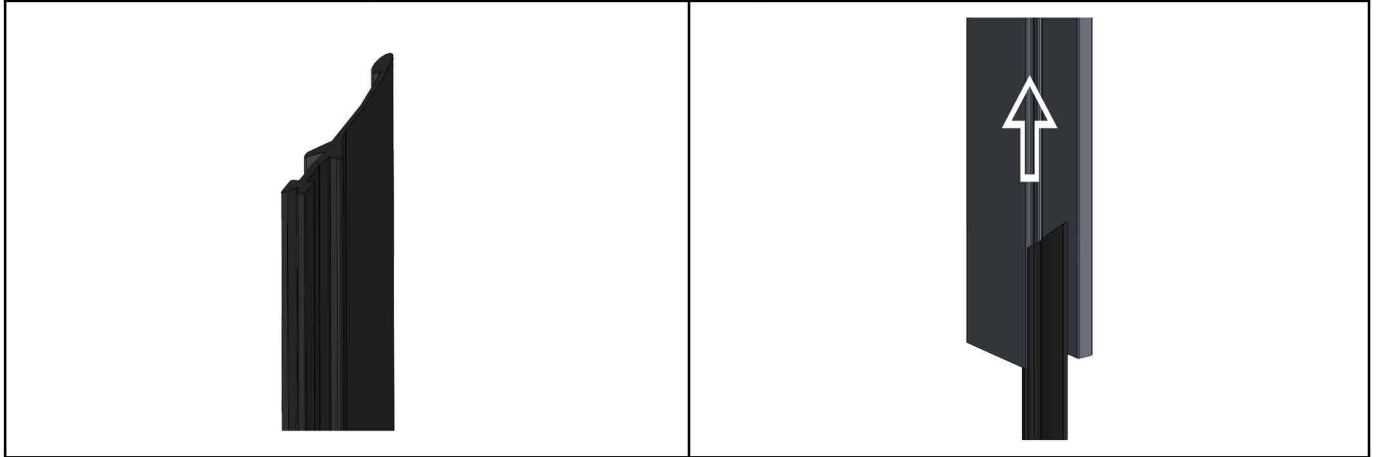
4.c Drill and fix* the seconde curve and the black extension. $H > P$



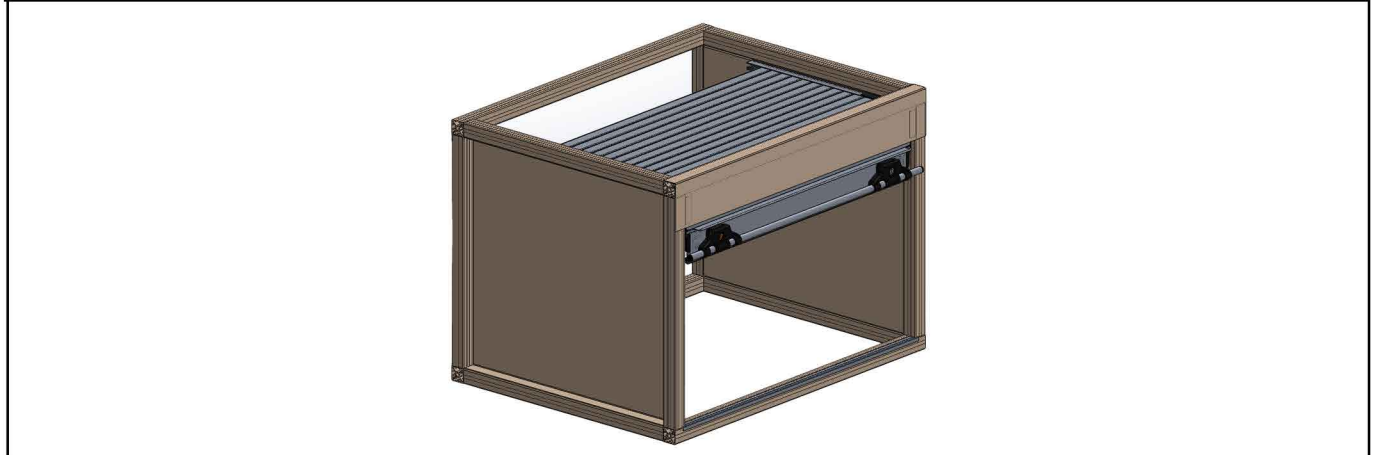
* It is recommended to use screws TPS $\varnothing 3.5 \times 19$

REMOVE THE GUIDES.

5. Cut the seal rubber diagonally and insert it into the guides.



6. Insert the shutter in the curves and bring it to the maximum opening.

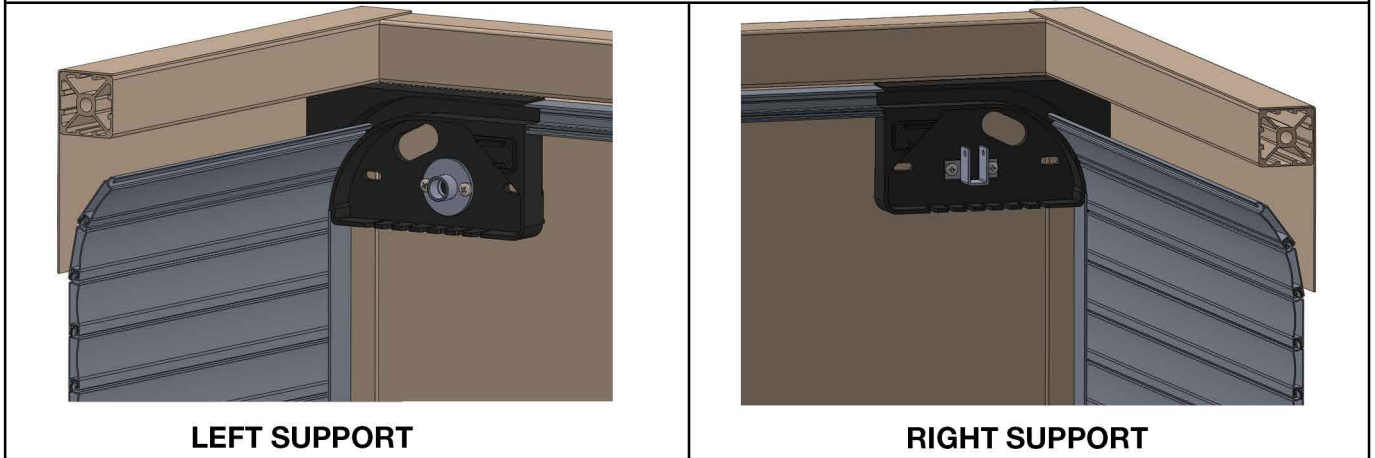


7. Assemble the guides by inserting the shutter and fix them.

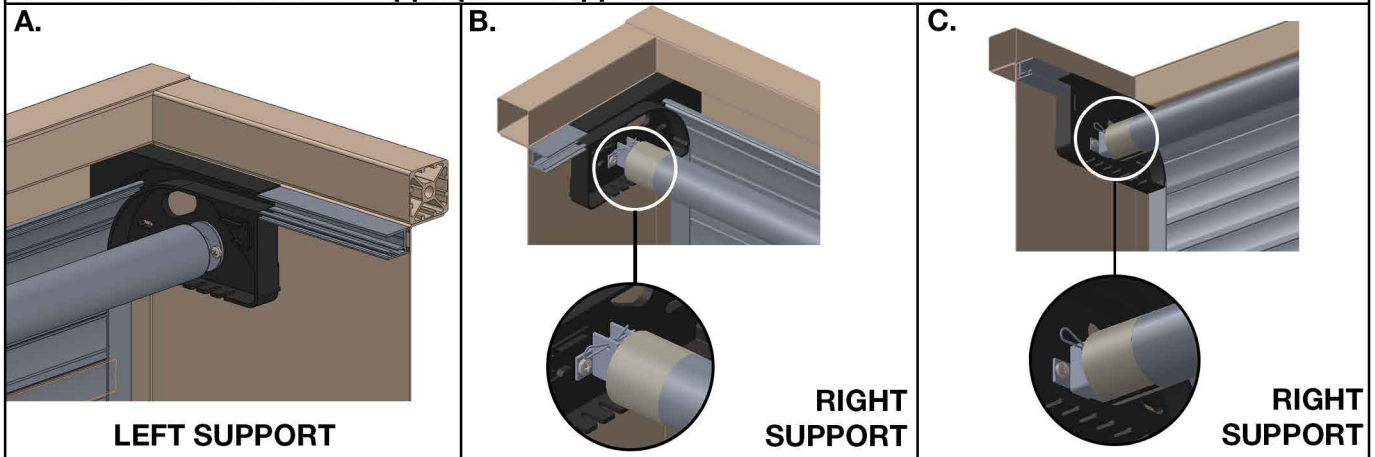


**FROM STEP 8 TO 12 ONLY FOR ECO PLUS
VERSION WITH PRE CHARGED ROLL**

8. Drill and fix the holders under the curves. Use the TC 4.8 x12 screws supplied.

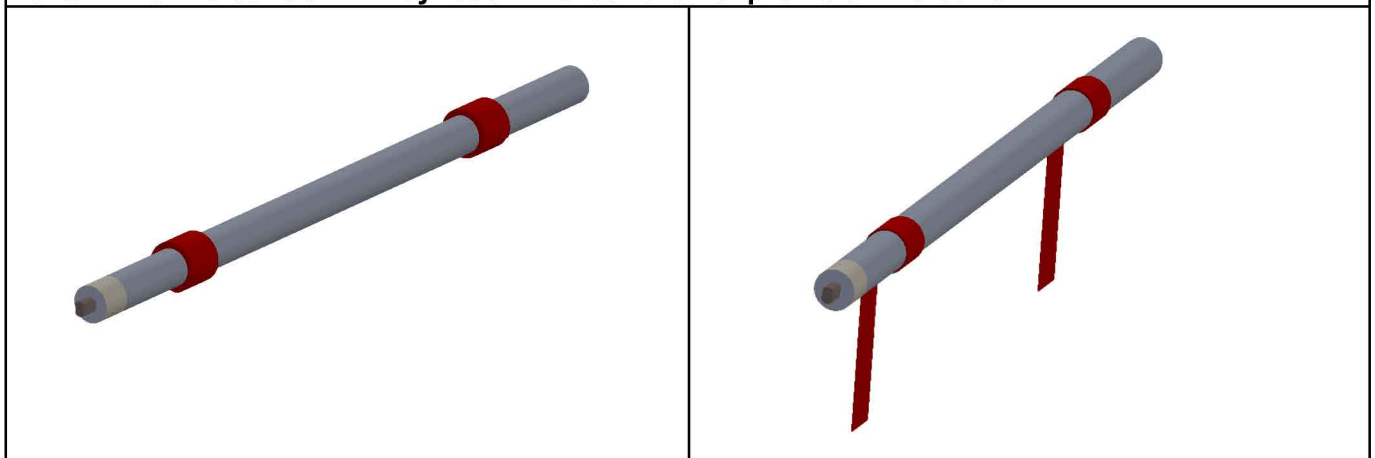


9. Assemble the roll in the appropriate supports.

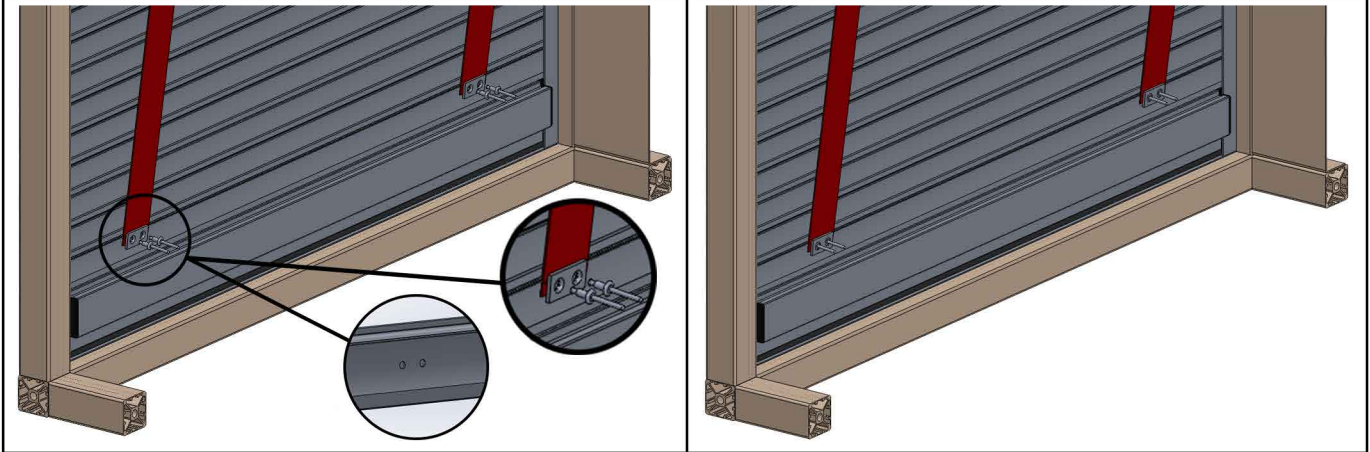


**WARNING: Insert the beta pin in the right support (B);
The black band on the roller must be facing downwards (C).**

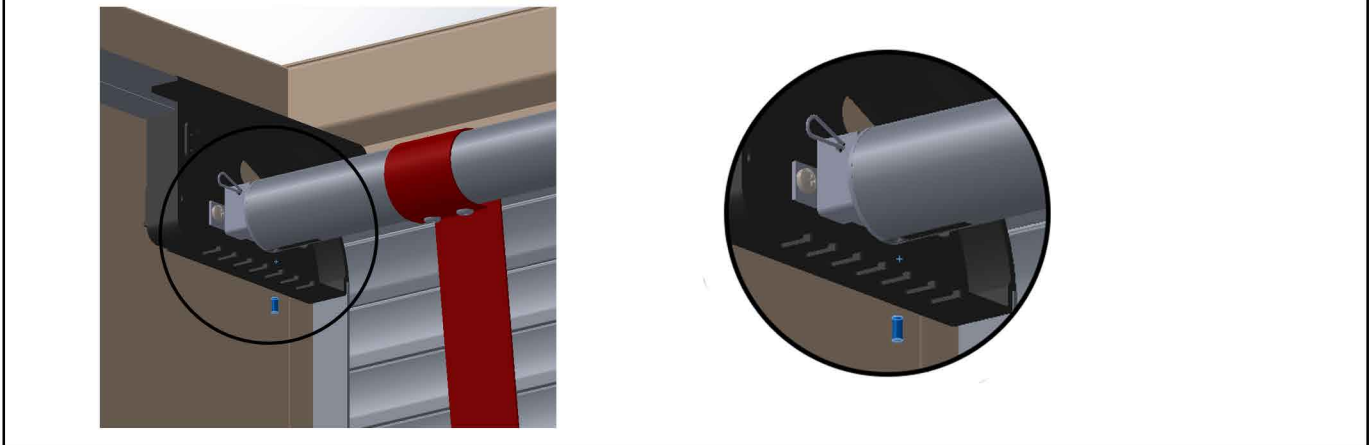
10. Unwind the belts until they reach the last shutter profile at the bottom.



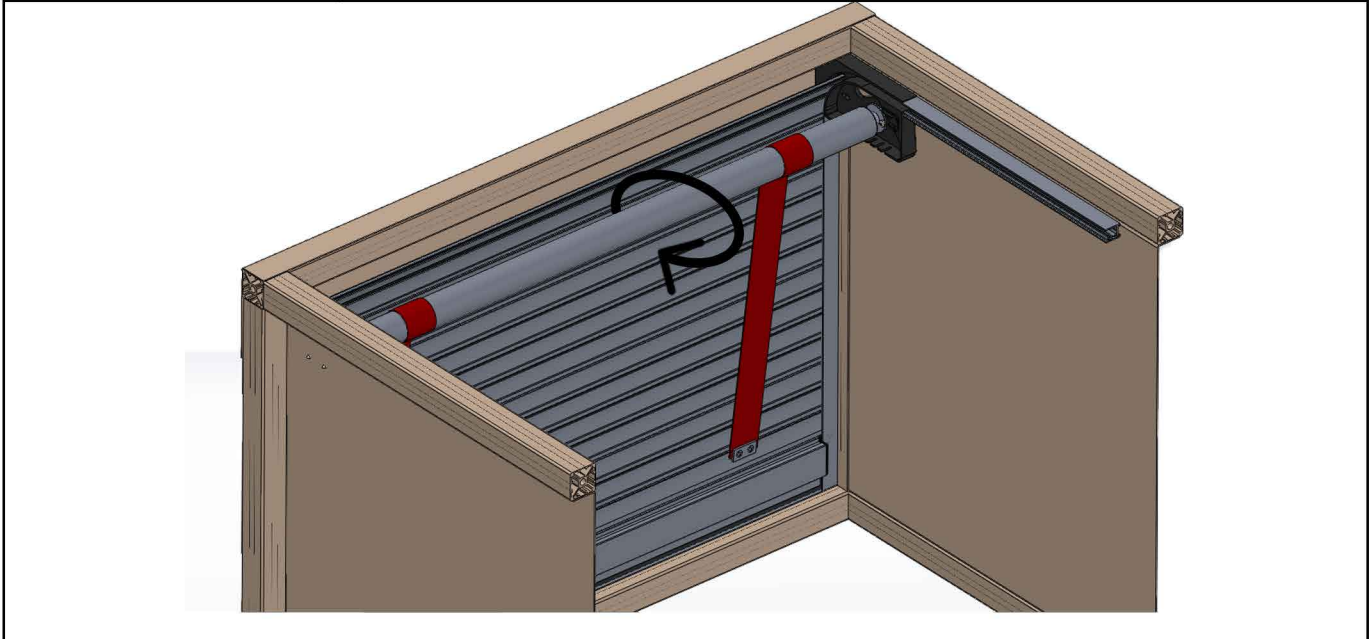
11. Fix the belts to the last shutter profile at the bottom using the plates and rivets provided.



12. Remove the paper from the roll, the black band must be facing downwards.
WARNING: The safety pin will come off and the roller will be in charging position.

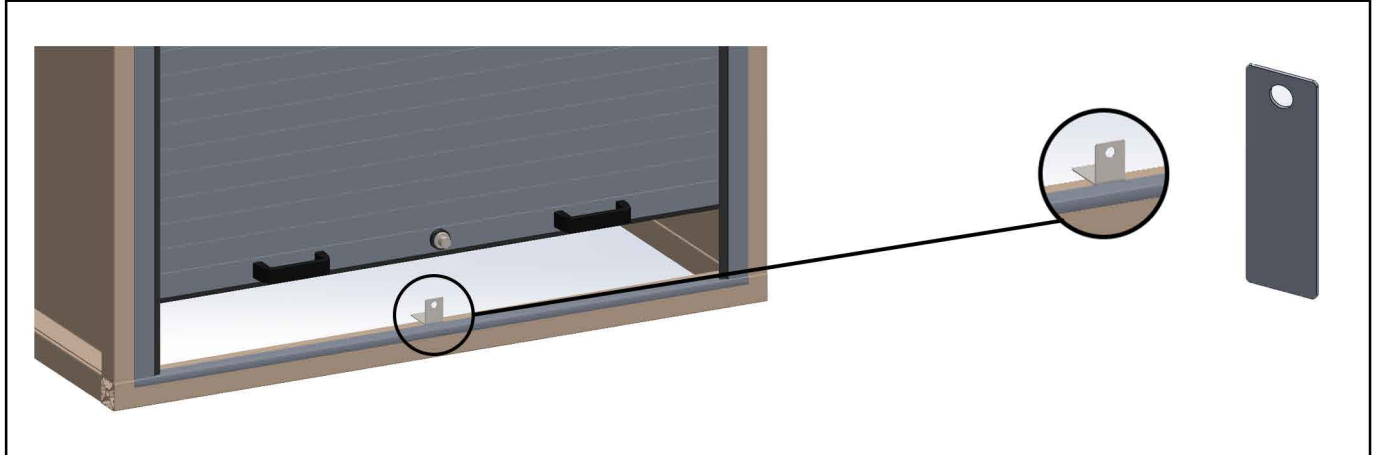


13. Hold the roller by turning it halfway towards the inside of the compartment.
The belts will wind up and the shutter will slide all the way under the roof.

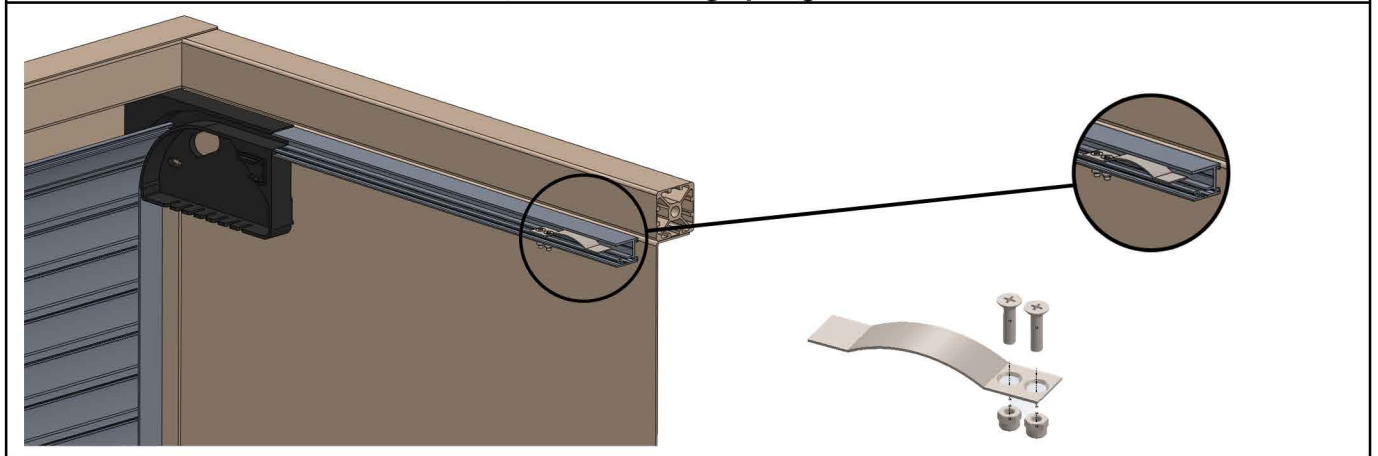


FIXING CLOSING SYSTEM T1

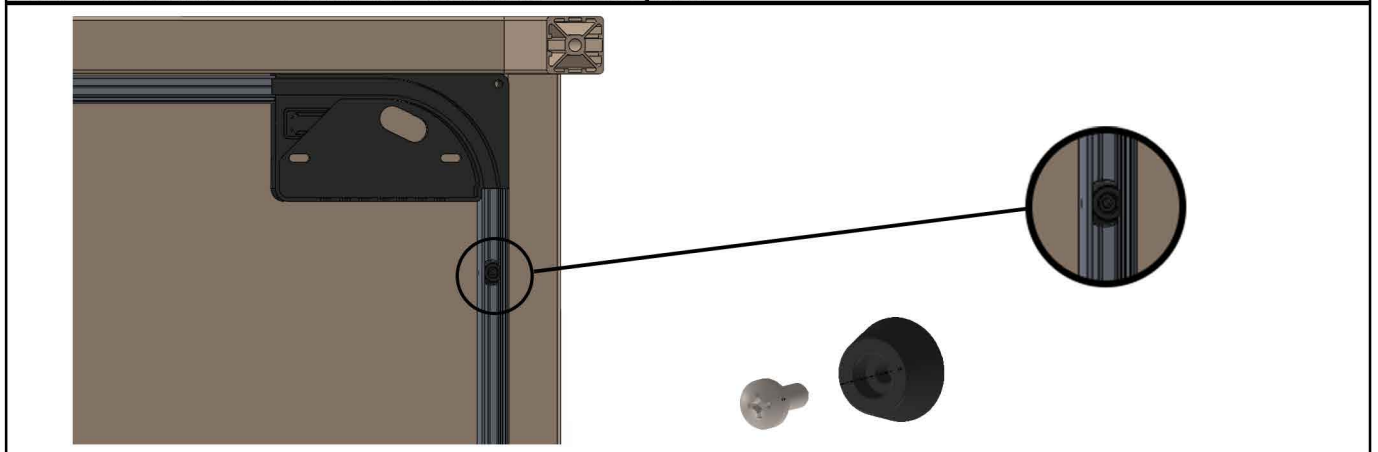
14.A Fix the plate to the frame.



14.B - One curve and one extension, fix the holding springs.

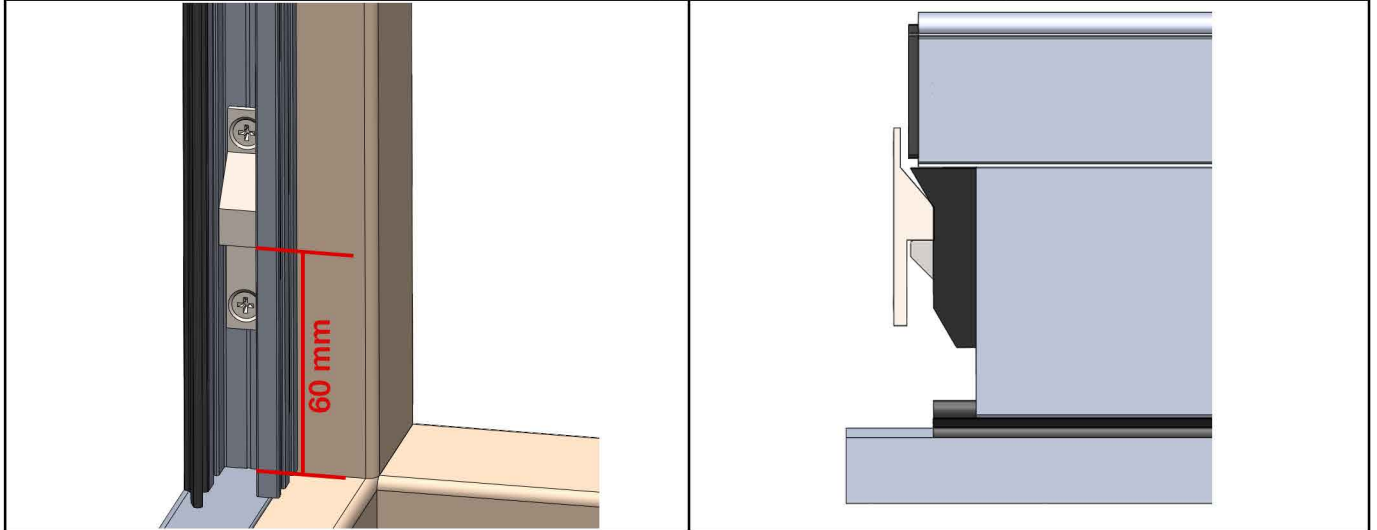


14.C - Two curves and back extension fix the pad.

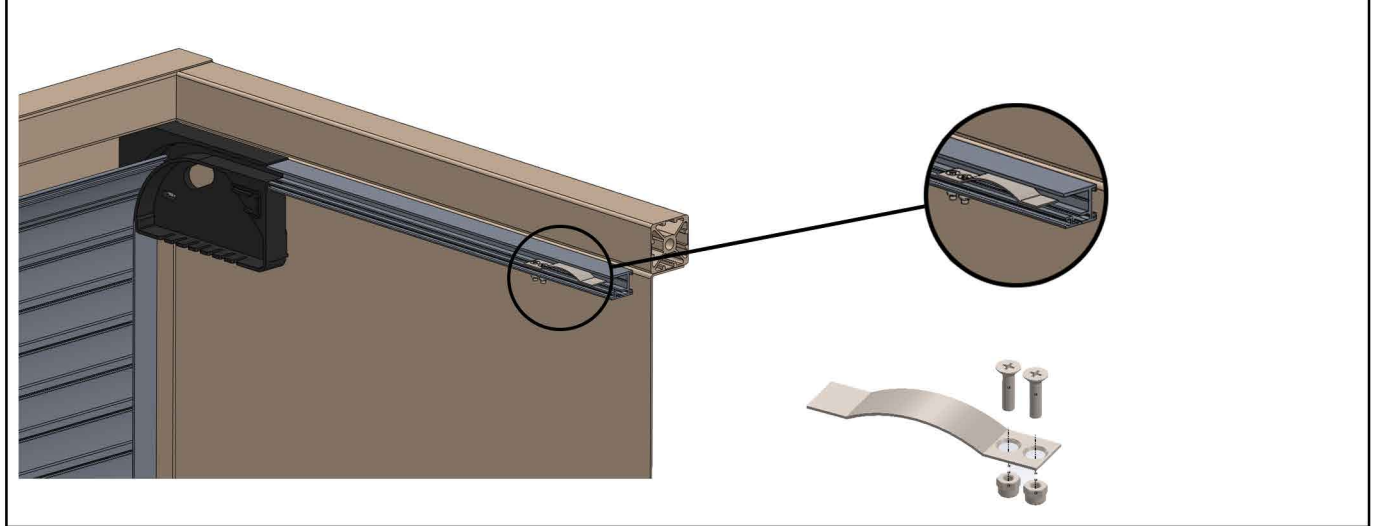


FIXING CLOSING SYSTEM T2.

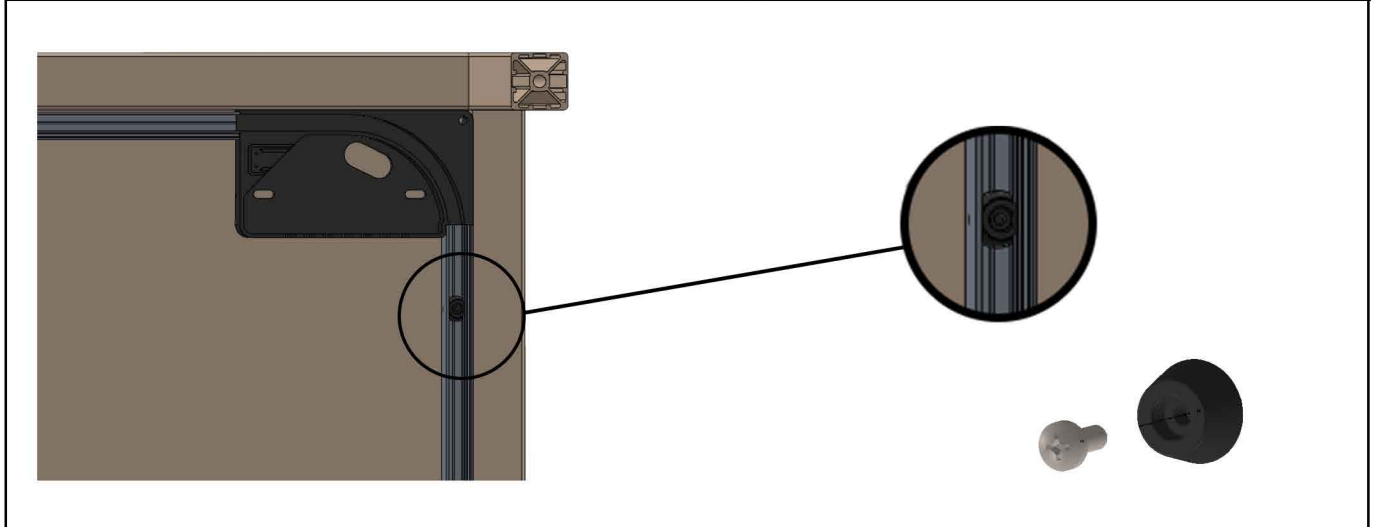
15.A - Drill the guide and fix the lower block (aglas) at 60 mm from the ground.



15.B - With one curve and extension, fix the stop spring.

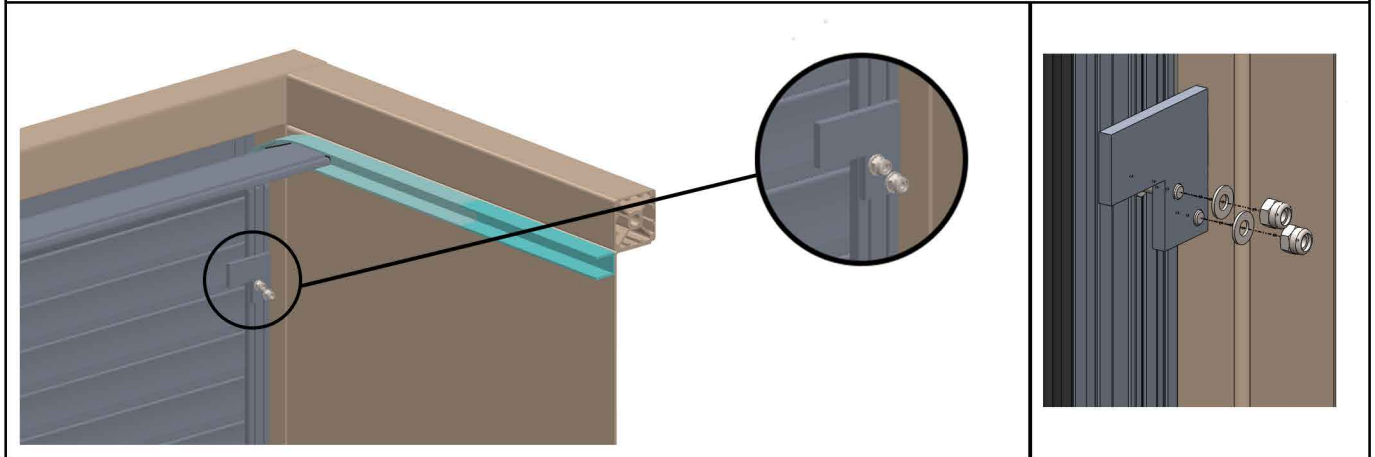


15.C - With second curve and back extension, fix the pads.



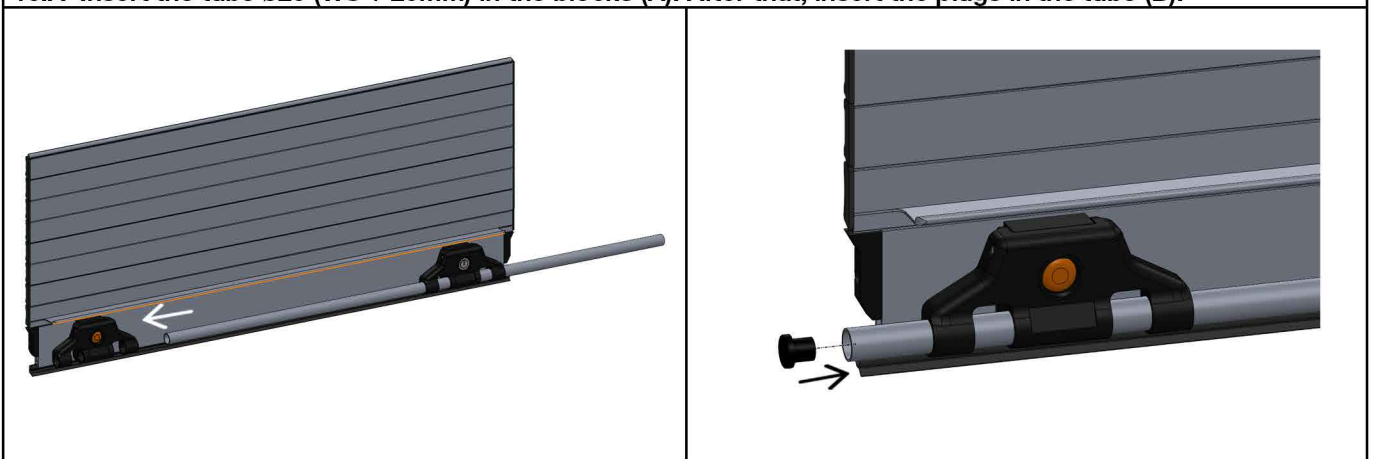
ATTENTION: If you chose the ECO PLUS SIMPLY version from step 15.A skip to step 15.D

15.D - Fix the upper block.

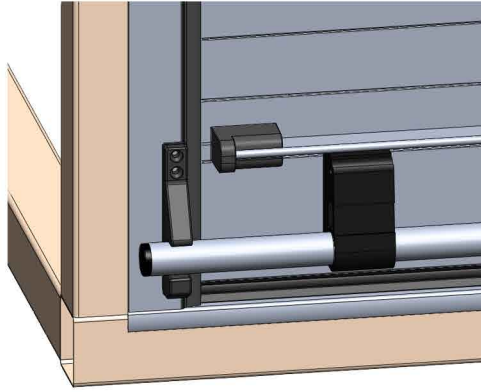


FIXING CLOSING SYSTEM T3 & T5

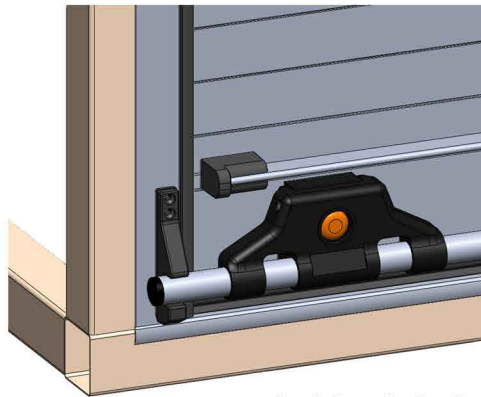
16.A Insert the tube $\varnothing 20$ (WS + 20mm) in the blocks (A). After that, insert the plugs in the tube (B).



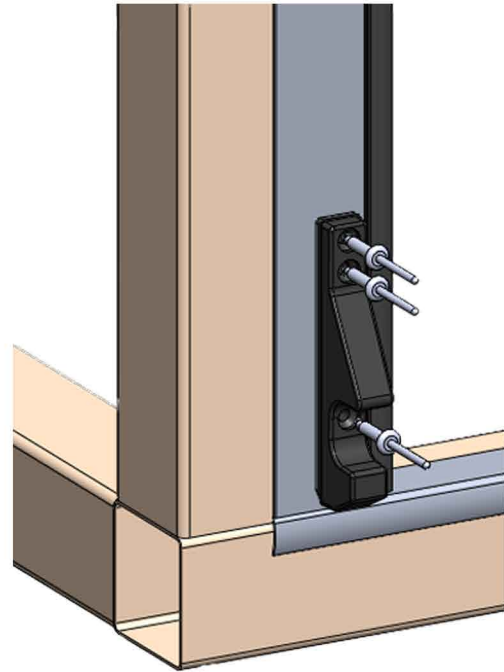
16.B - Fix the lower block (aglas).



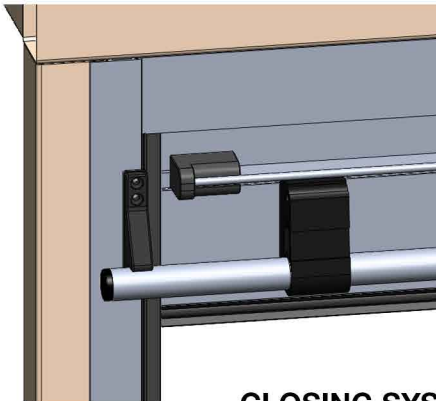
CLOSING SYSTEM T3



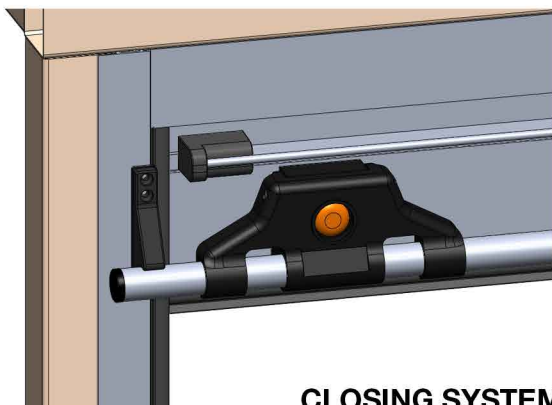
CLOSING SYSTEM T5



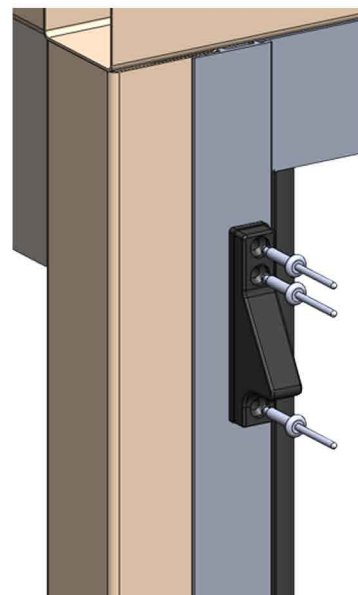
16.C - Fix the same aglas, but upside down, in the higher part of the guide bringing the shutter to the desired height.



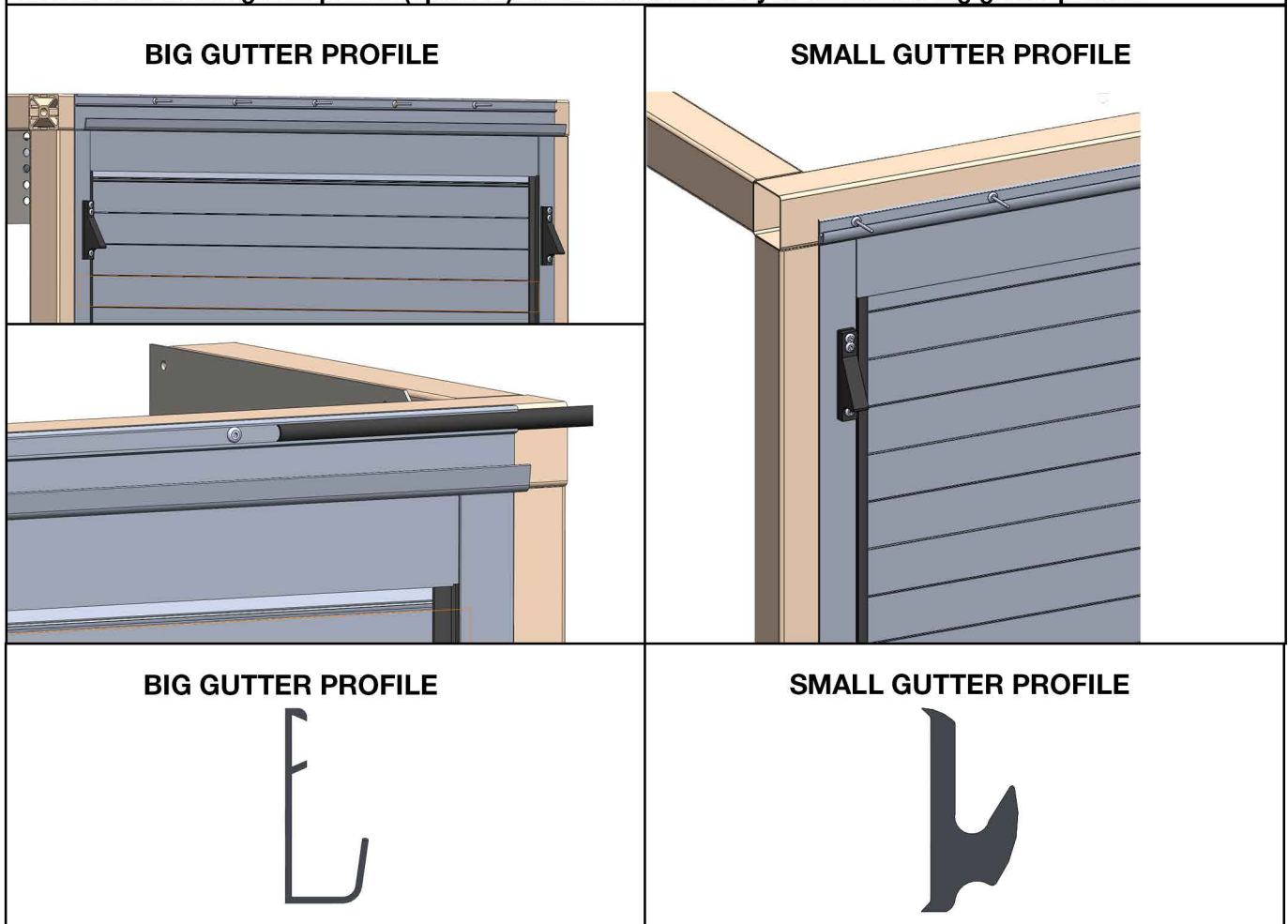
CLOSING SYSTEM T3



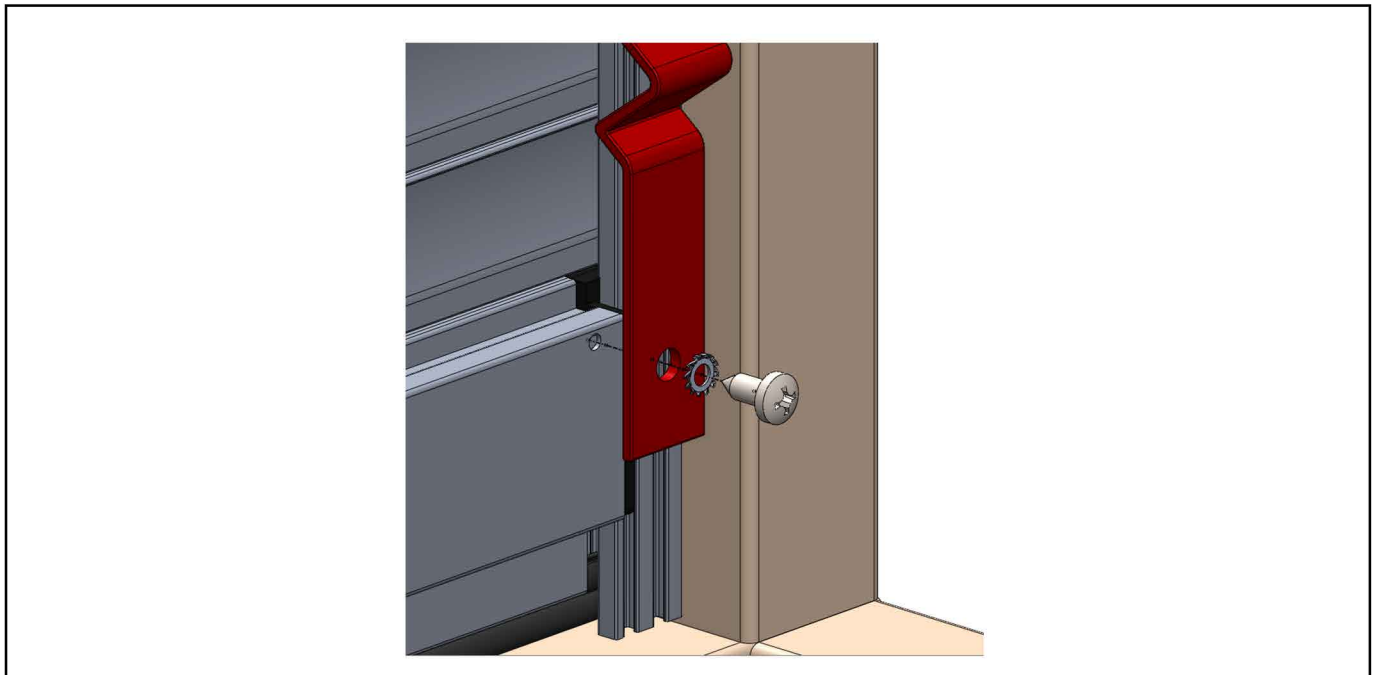
CLOSING SYSTEM T5



17. Drill and fix the gutter profile (optional). Insert the rubber if you mount the big gutter profile.



18. Drill and fix one end part of the pulling belt by the supplied screws. Holes $\varnothing 4$.
With the shutter open, fix the other end part of the belt to the side wall of the compartment.



19. The shutter is ready to be used.

