



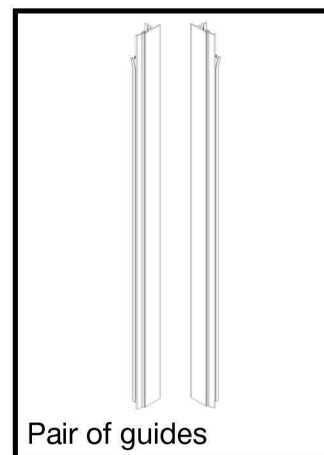
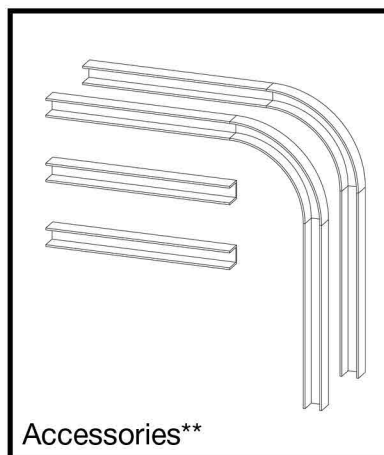
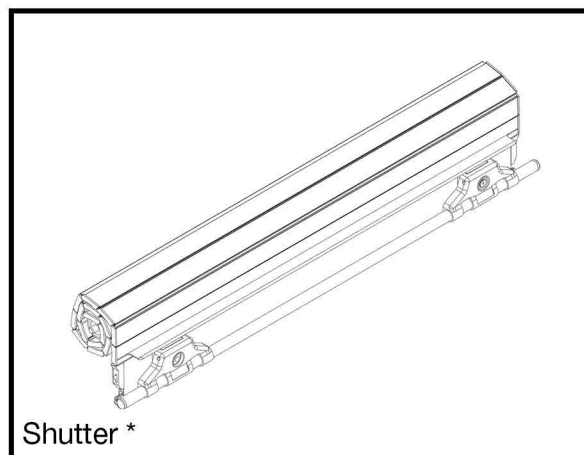
**Installation
instructions**

ECO

ECO

PLUS

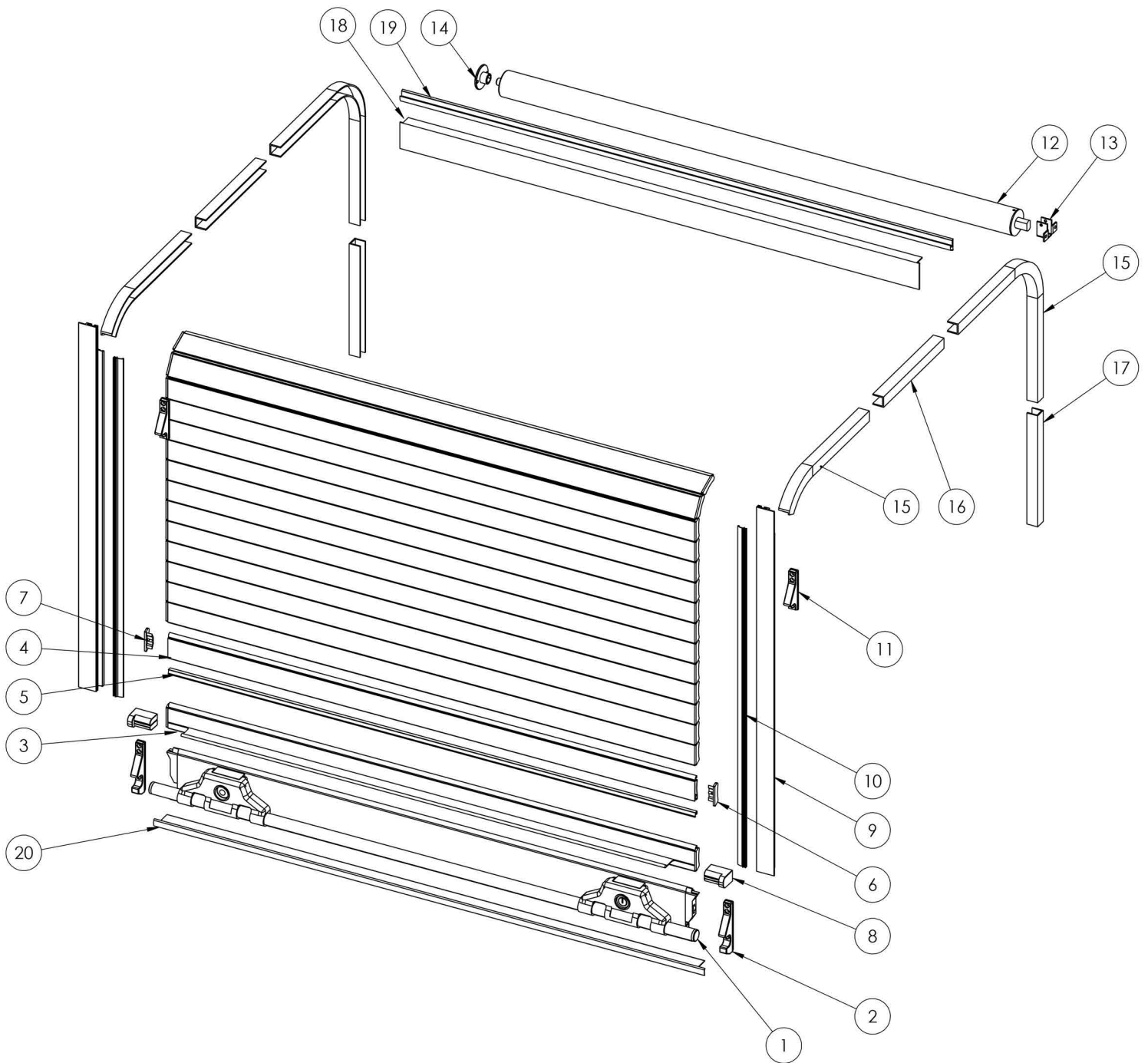
Common parts



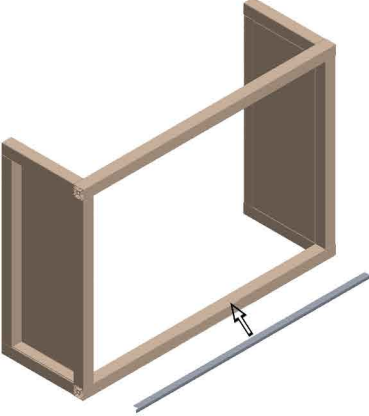
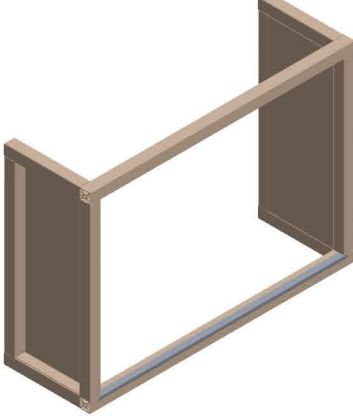
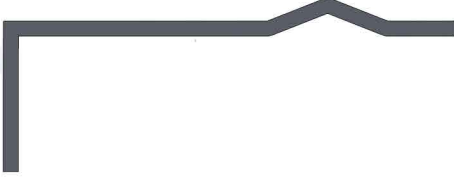

Num. Art.	Codice Code	Descrizione	Description	Q.tà Q.ty
1	70300	Terminale T3	Closing system T3	1
2	70308	Aglas inferiore per T3 e T5	Lower locking for T3 and T5	2
3	70311	Profilo di presa	Grip profile	1
4	70001.30/A 70001.38/A	Profilo serranda H30 Profilo serranda H38	Shutter profile H30 Shutter profile H38	N
5	70004	Gomma intermedia	Middle rubber for shutter profile	N
6	70002.DX.30 70002.DX.38	Pattino destro H30 Pattino destro H38	Left sliding plate H30 Left sliding plate H38	N
7	70002.SX.30 70002.SX.38	Pattino sinistro H30 Pattino sinistro H38	Left sliding plate H30 Left sliding plate H38	N
8	70311.B	Tappo per profilo di presa	Plug for grip profile	
9	70003.MP1/A 70003.MP2/A 70003.MP5/A	Guida MP1 Guida MP2 Guida MP5	Side profile MP1 Side profile MP2 Side profile MP5	2
10	70005	Gomma guide di tenuta anteriore	Seal rubber	2
11	70309	Aglas superiore per T3 e T5	Upper locking for T3 and T5	2
12	70020	Rullo ø45	Roll ø45	1
13	70017	Sede-supporto per rullo (DX)	Roll space	1
14	70018	Supporto perno con bronzina per rullo (SX)	Pin with bearing (L)	1
15	70030	Curva in alluminio	Aluminium curve	4
16	70033	Prolunga tra le curve	Extension between curves	2
17	70034	Prolunga posteriore	Back extension	2
18	70012	Angolare superiore 50x20 (copertina)	Little cover 50x20	1
19	70011.S 70011.B	Profilo gocciolatoio PICCOLO Profilo gocciolatoio GRANDE con gomma	SMALL gutter profile BIG gutter profile with rubber	1
20	70014.S 70014.B	Profilo battuta PICCOLO Profilo battuta GRANDE	SMALL lower profile BIG gutter profile	1

* ECO PLUS model includes a pre-charged roll.

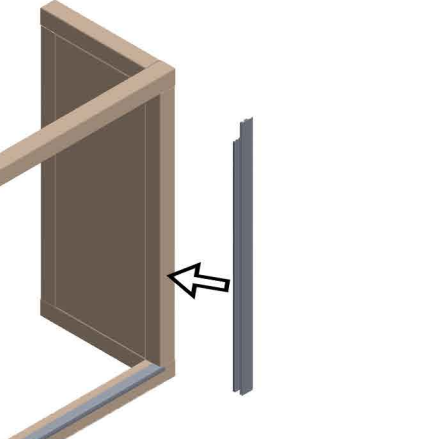
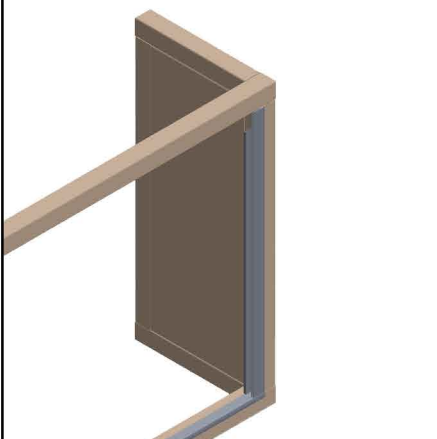
** Extensions and back curves supplied according to depth of the compartment.



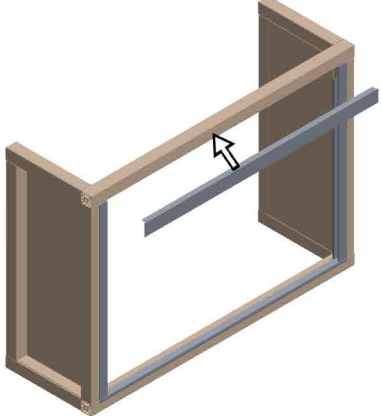
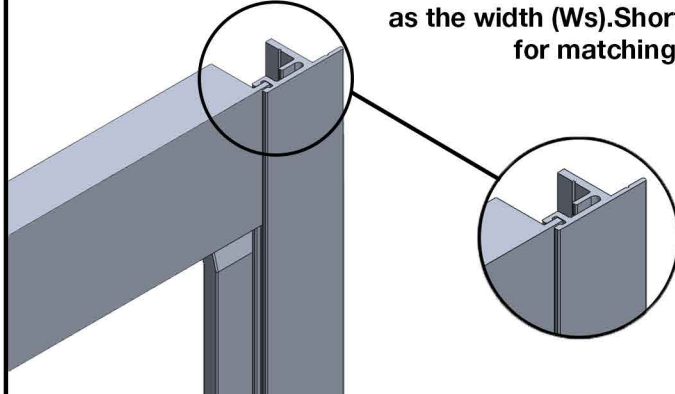
1. Drill and fix the lower profile (optional).

	
BIG LOWER PROFILE 	SMALL LOWER PROFILE 
<p>Lower profile supplied 25 mm longer than width (Ws) for a correct matching between lower profile and guides.</p>	

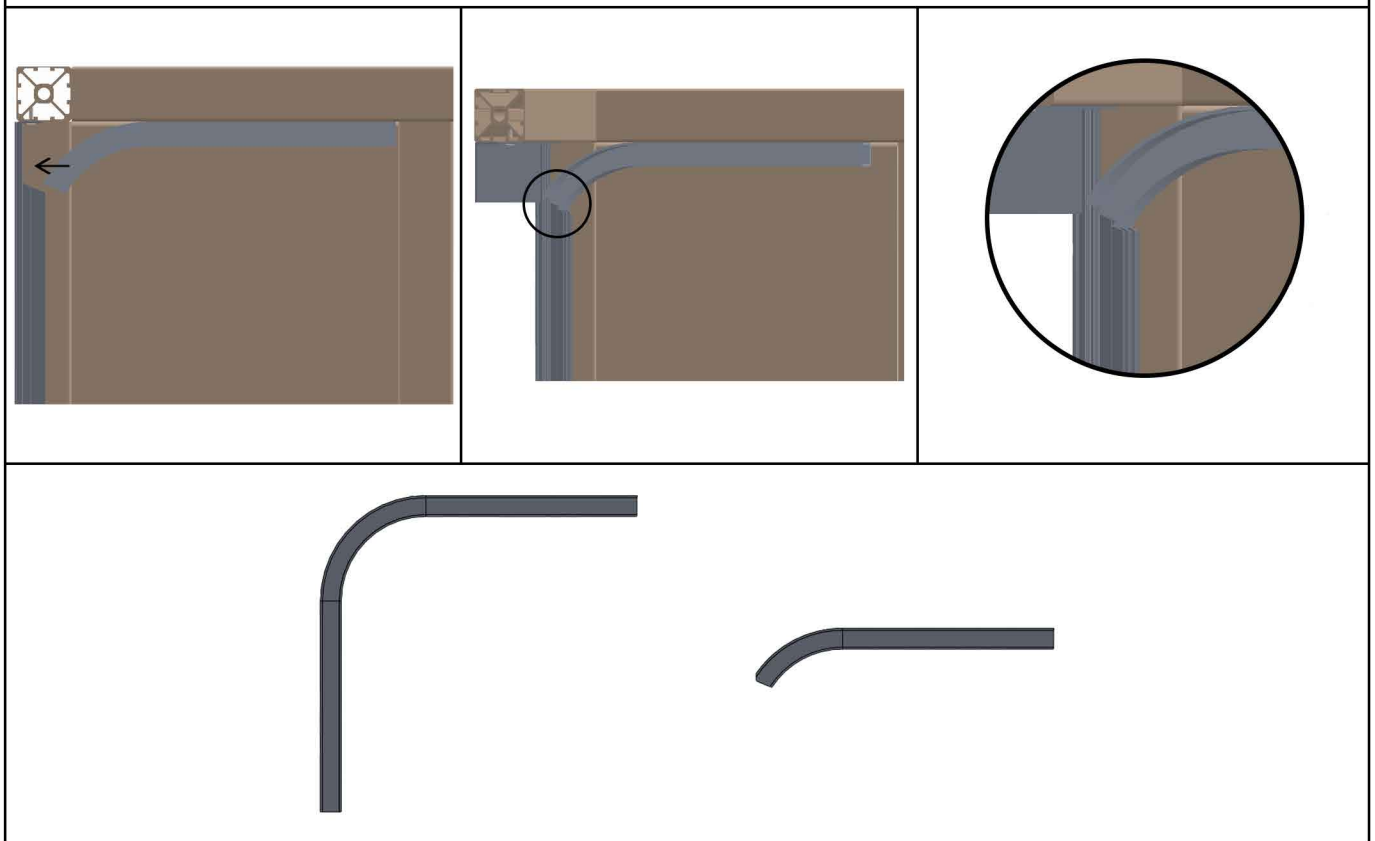
2. Place the guides and fix them temporarily.

		<p>WARNING: Without the exact length of the guides (H_g), they will be supplied long as the total height (H_{tot}).</p>
---	--	--

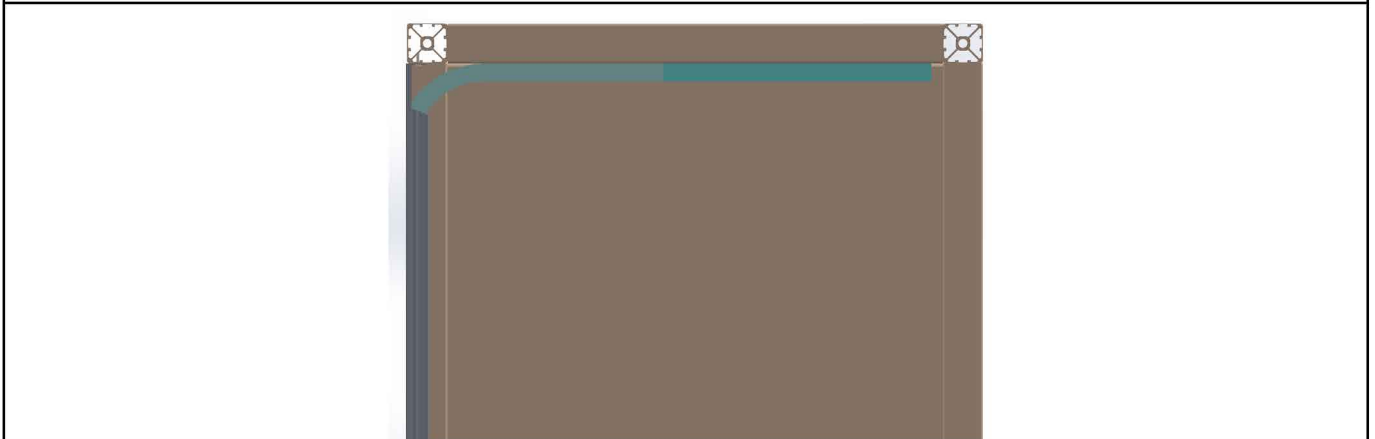
3. Drill and fix the little cover - L profile 50 x 20 (optional).

		<p>WARNING: The little cover will be supplied long as the width (Ws). Shorten and machine it for matching it with the guides.</p>
---	--	--

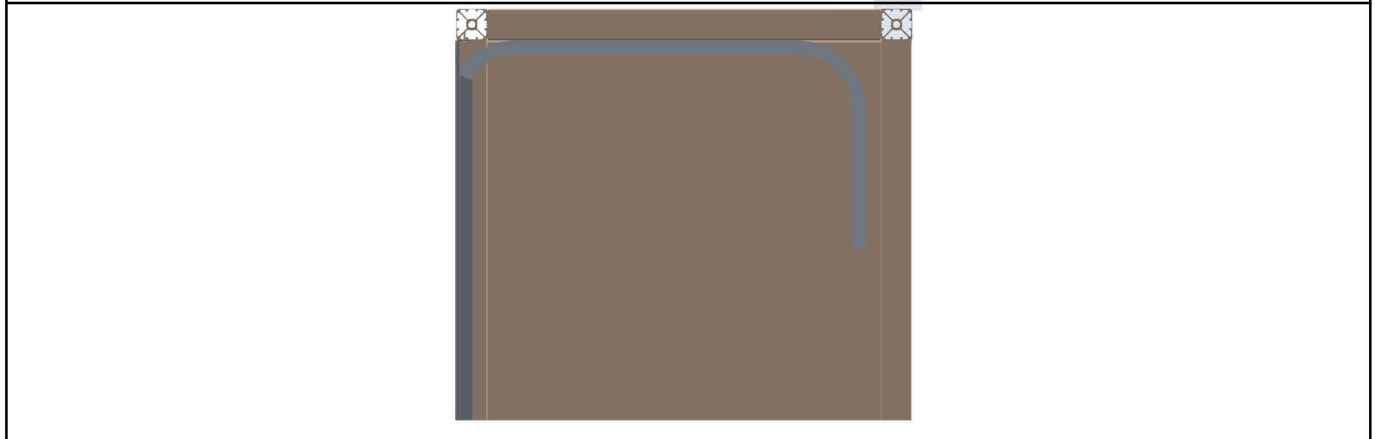
4. Drill and fix the front curves, cut and match them with the guides*.



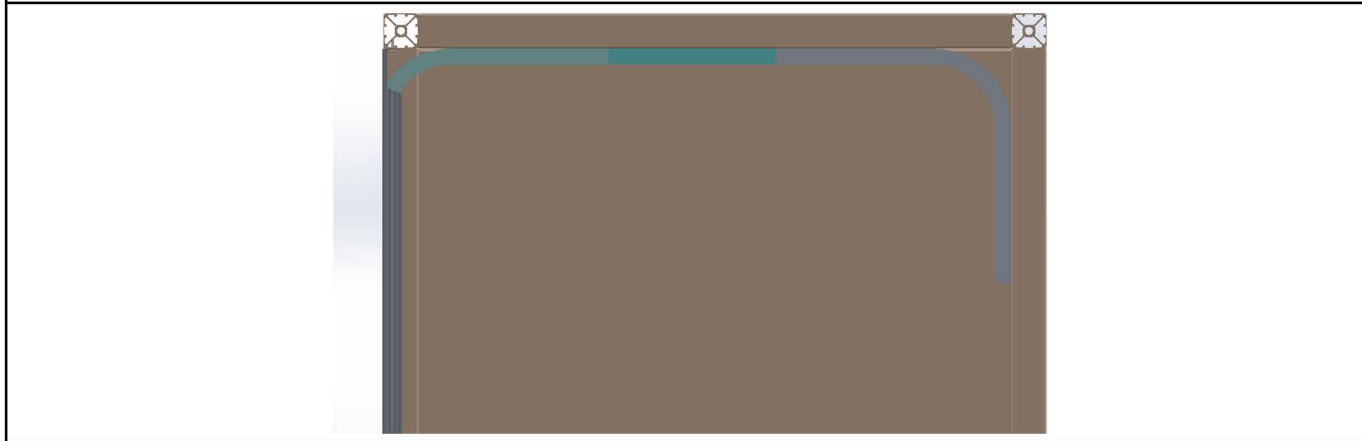
5.1 Drill and fix the extensions* . P > H



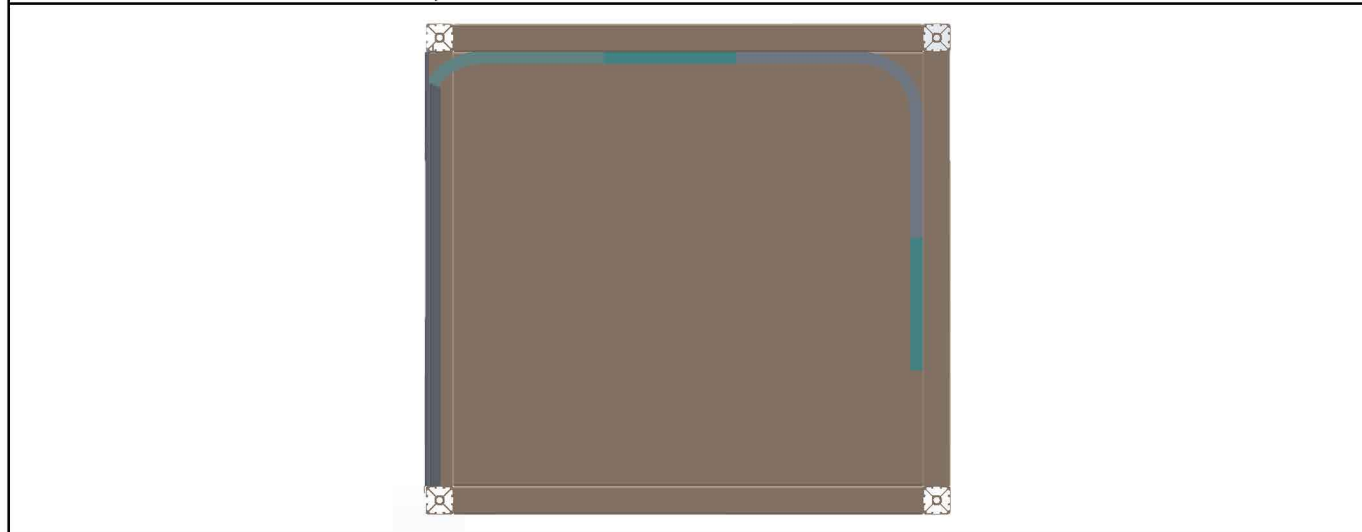
5.2 Drill and fix the second curves* . H > P



5.3 Drill and fix the extensions and the second curves*. H > P

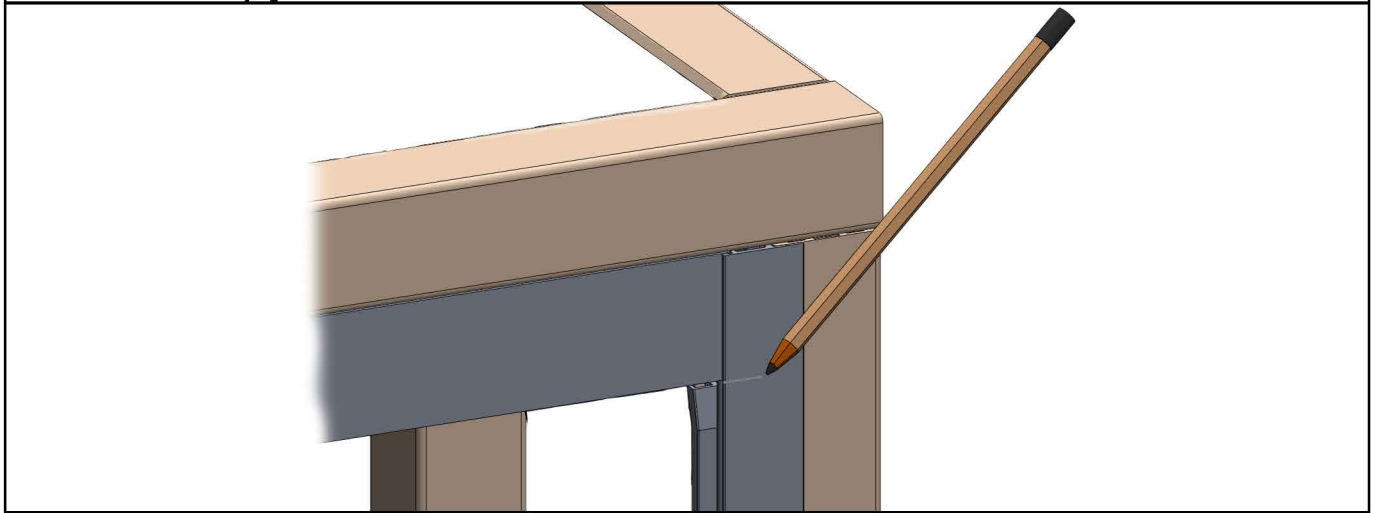


5.4 Drill and fix the extensions, the second curves and the back extensions*. H > P

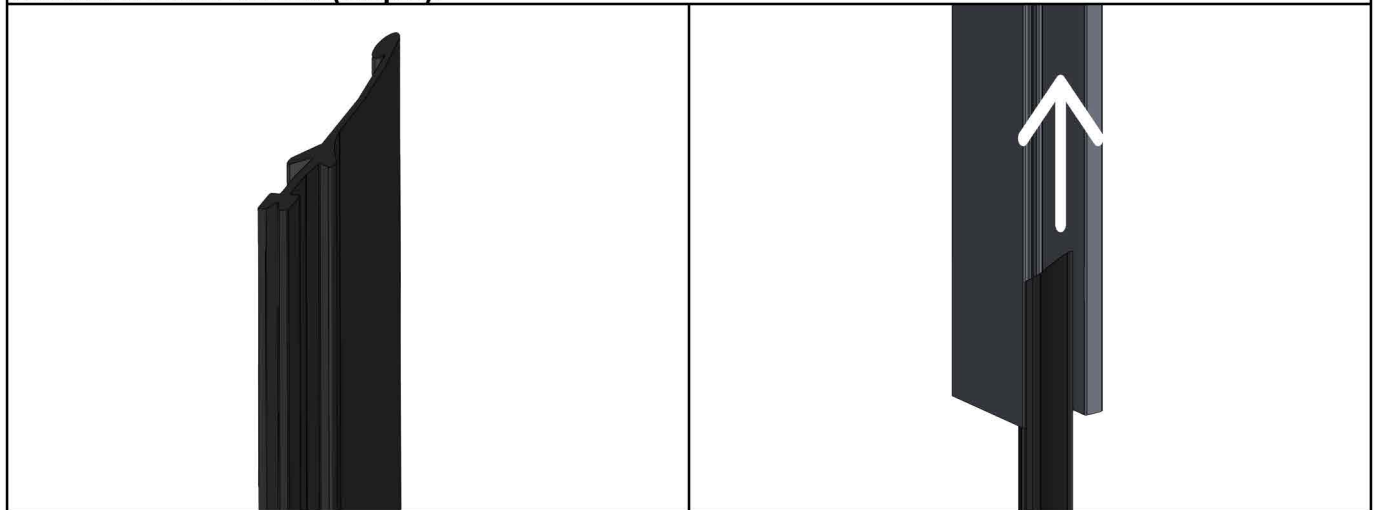


* It is highly recommended to use screws TPS $\varnothing 3.5 \times 19$.

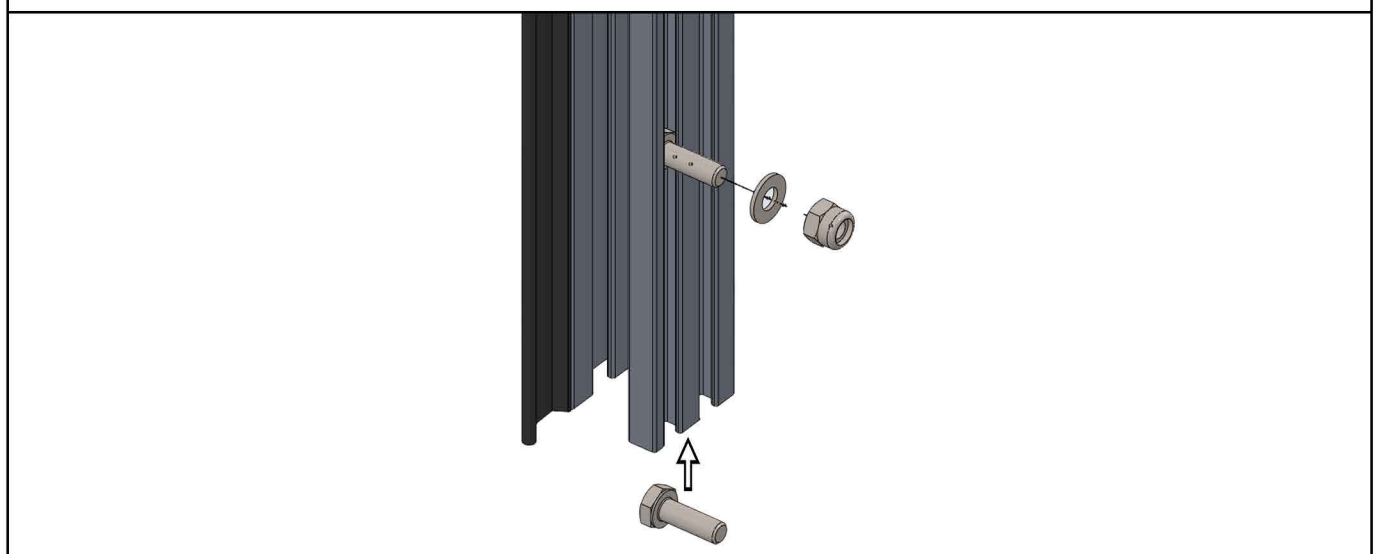
6. Mark on the guide the intersection point between the guide and the little cover - L profile 50x20
The mark will help you to know the correct measure of the seal rubber.



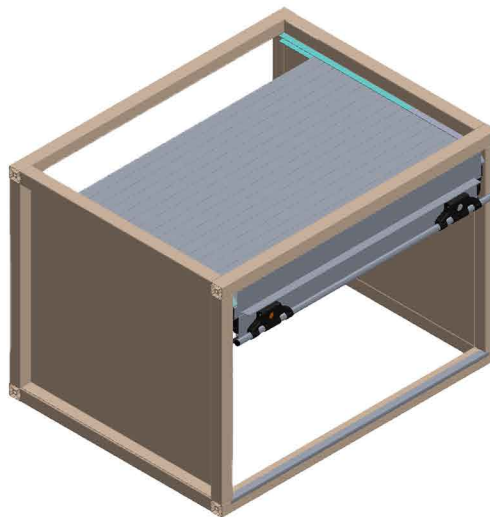
7. Cut the seal rubber diagonally and insert it in the guides, after that cut to measure considering the mark made before (step 6).



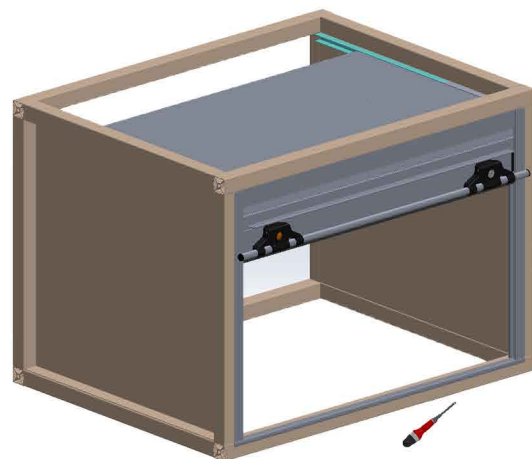
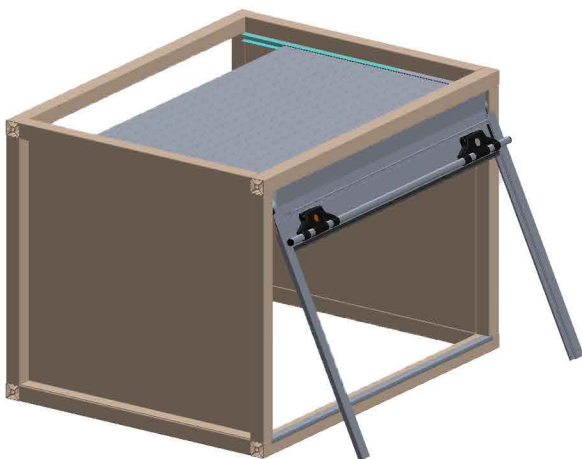
8. If you chose the T2 closing system and/or, as optional, the LED, the microswitch, the pulling belt, insert the bolts as the following figure.



9. Insert the shutter in the curves and bring it to its maximum opening.



10. Insert the guides and fix them*.



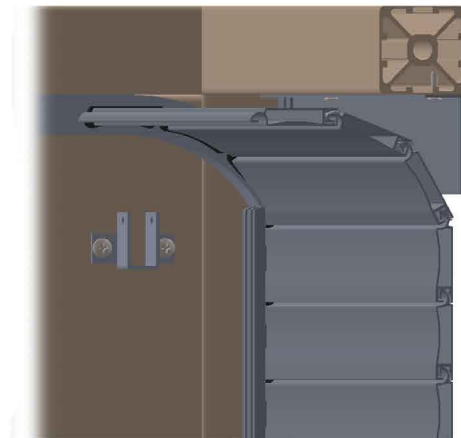
* It is highly recommended to use screws TPS $\varnothing 3.5 \times 19$.

**FROM STEP 11 TO 15 ONLY FOR ECO PLUS
VERSION WITH PRE CHARGED ROLLER**

11. Drill and fix the holders under the curves. Use the TC $\varnothing 4.8 \times 12$ supplied screws.

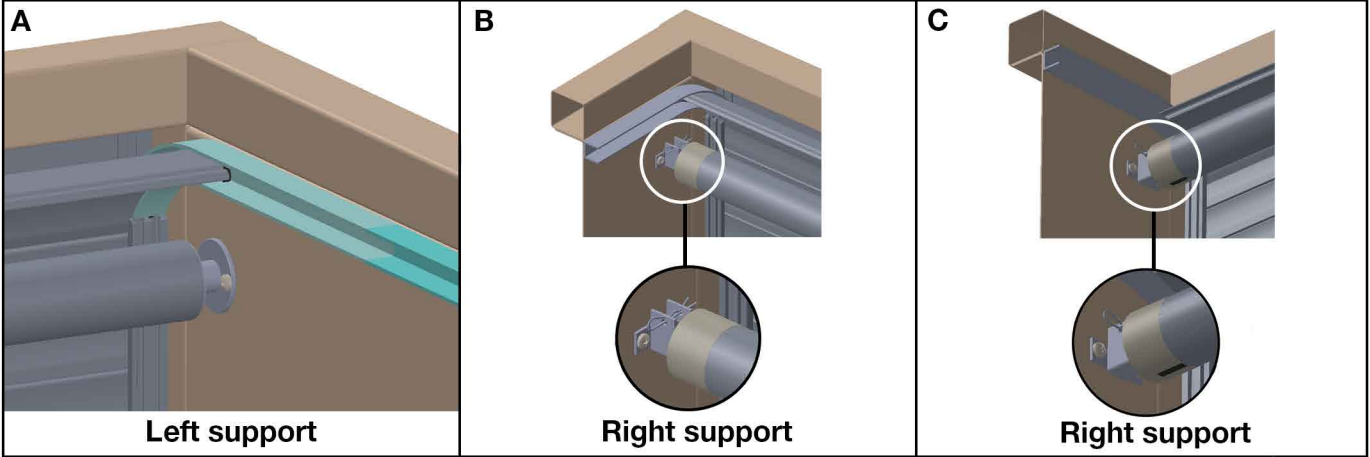


Left support



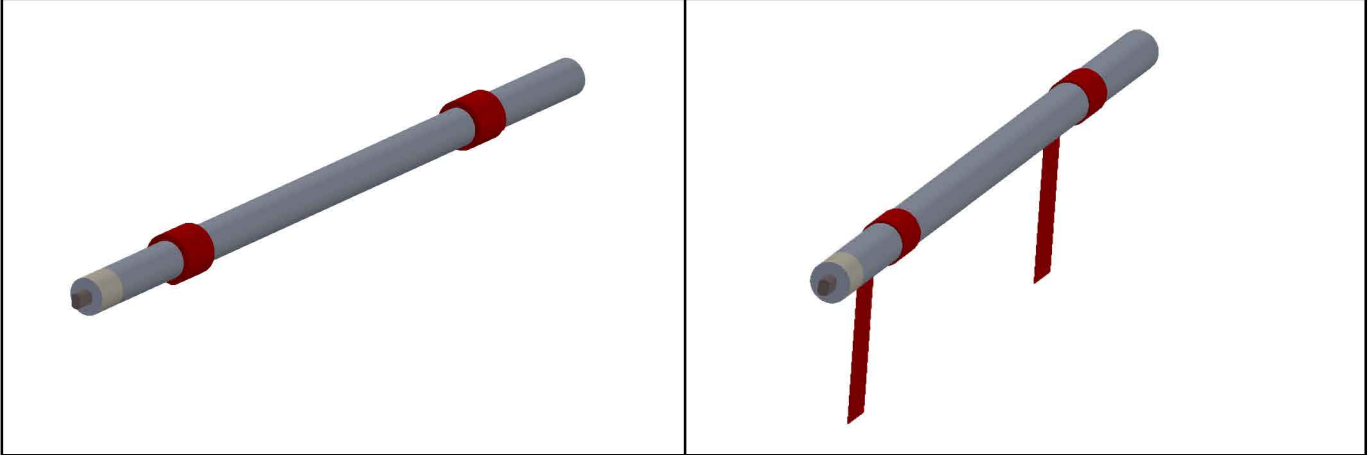
Right support

12. Insert the roll in the holders.

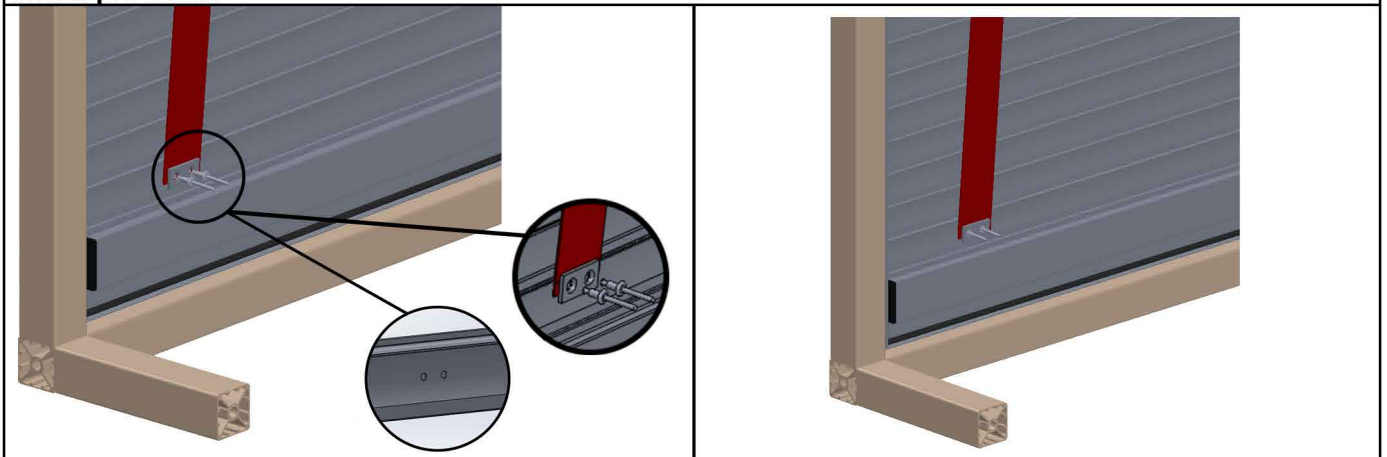


WARNING: Insert the beta pin in the right support (B);
The black band must be downwards (C).

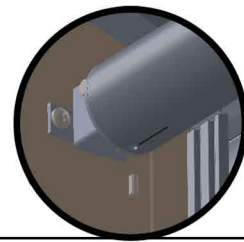
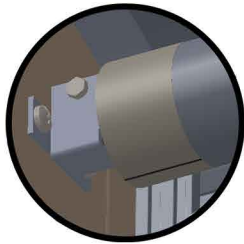
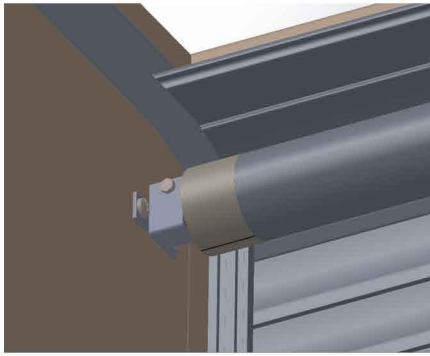
13. Unwind the belts until they reach the last shutter profile at the bottom.



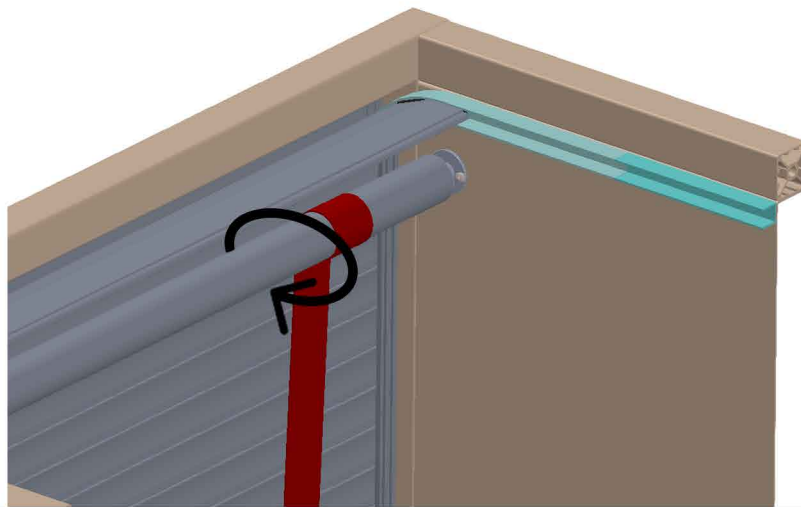
14. Fix the belts to the last shutter profile at the bottom, prepared for fixing, using the plates and the rivets provided.



15. Remove the paper from the roll, the black band must be facing downwards.
WARNING: The safety pin will come off and the roller will be in the charging position.

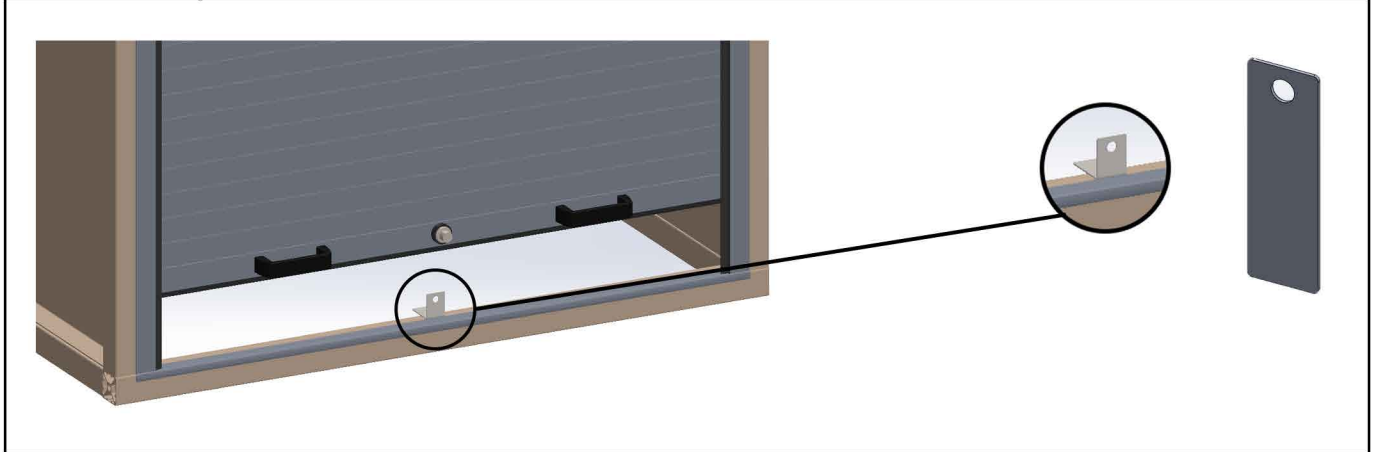


16. Hold the roller by making it a half turn towards the inside of the compartment.
The belts will wind up and the shutter will slide all the way under the roof.

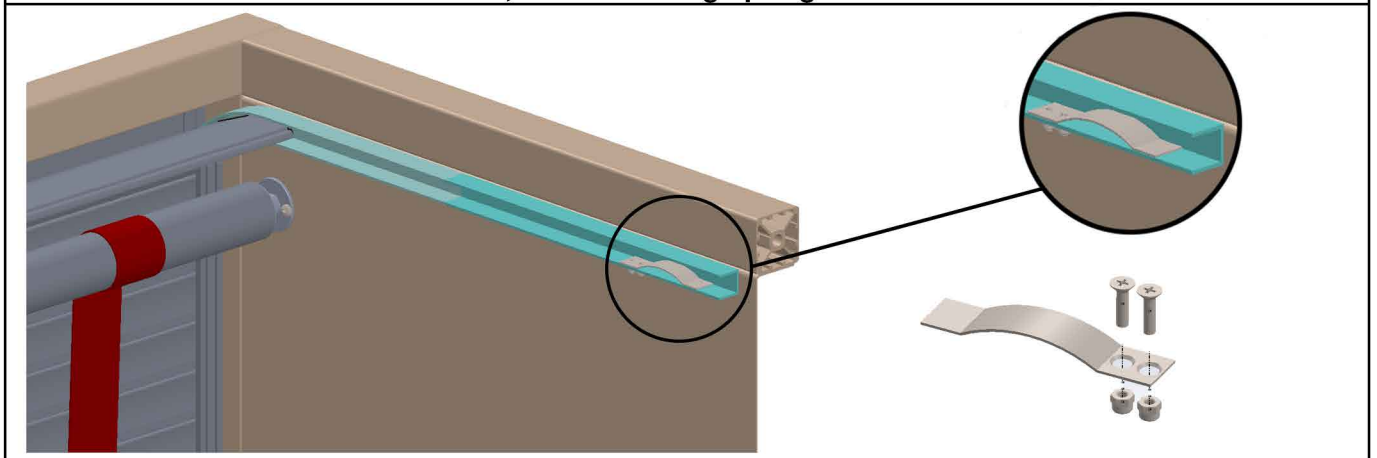


FIXING CLOSING SYSTEM T1.

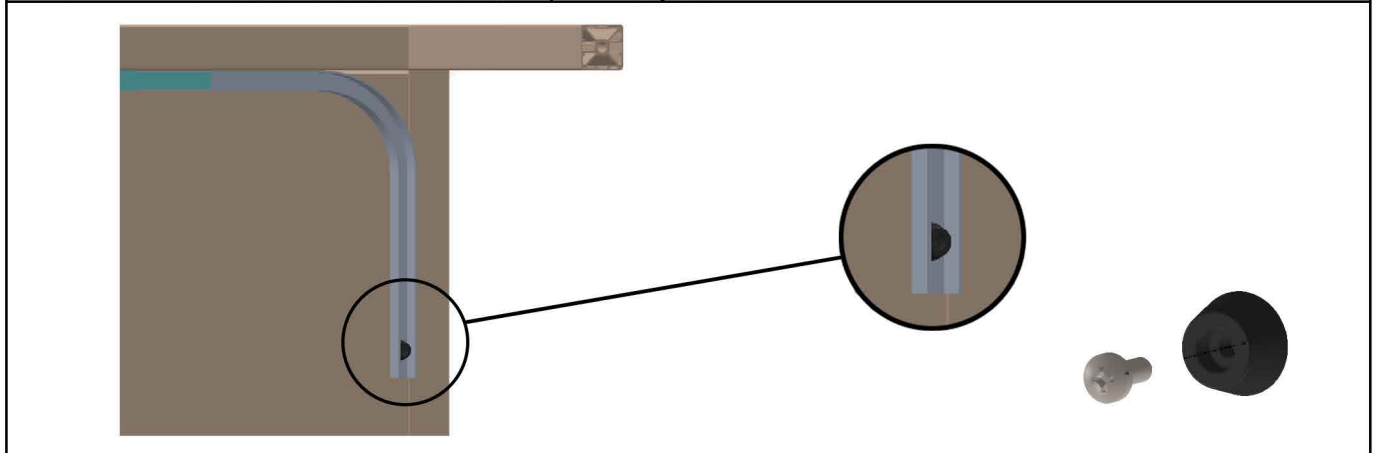
17.A - Fix the plate to the frame.



17.B - One curve and one extension, fix the holding spring.

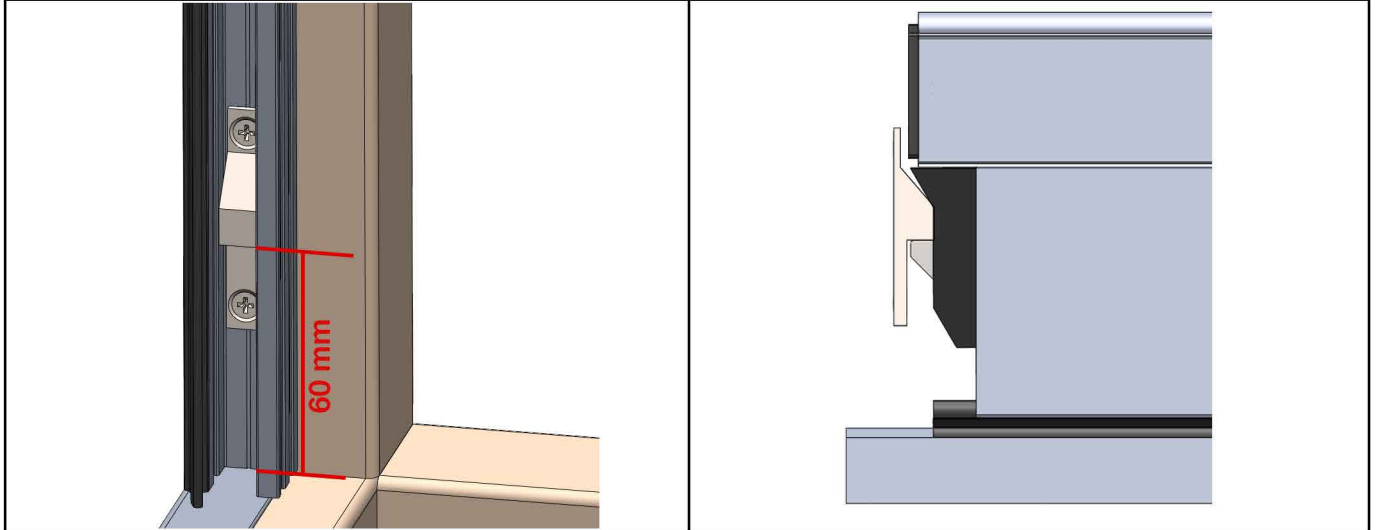


17.C - Two curves and back extension, fix the pad

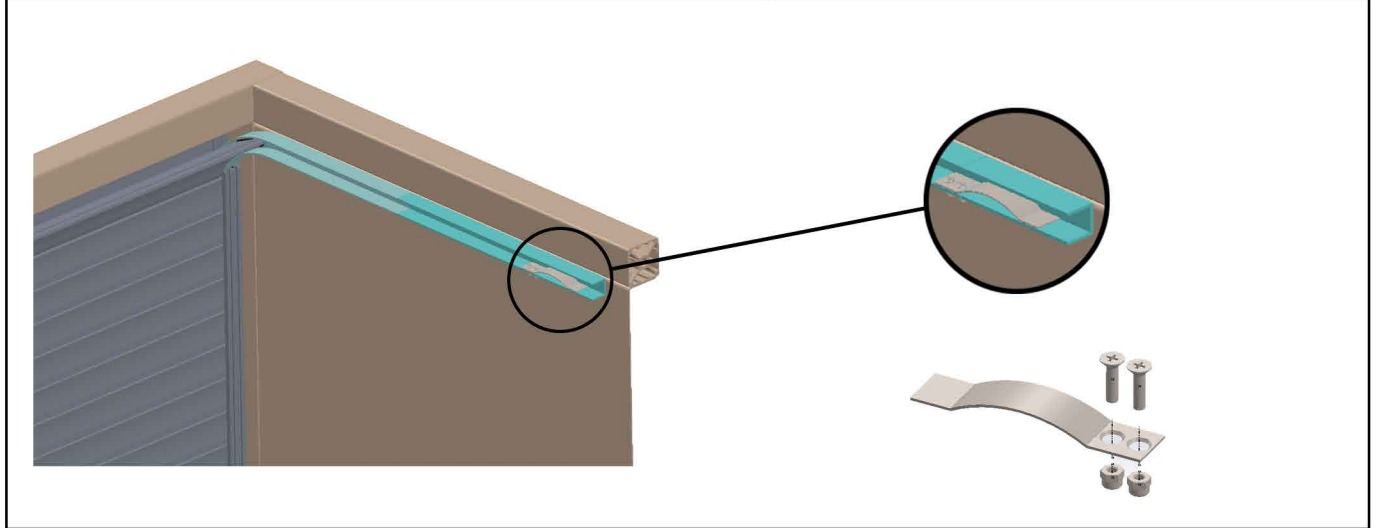


FIXING CLOSING SYSTEM T2.

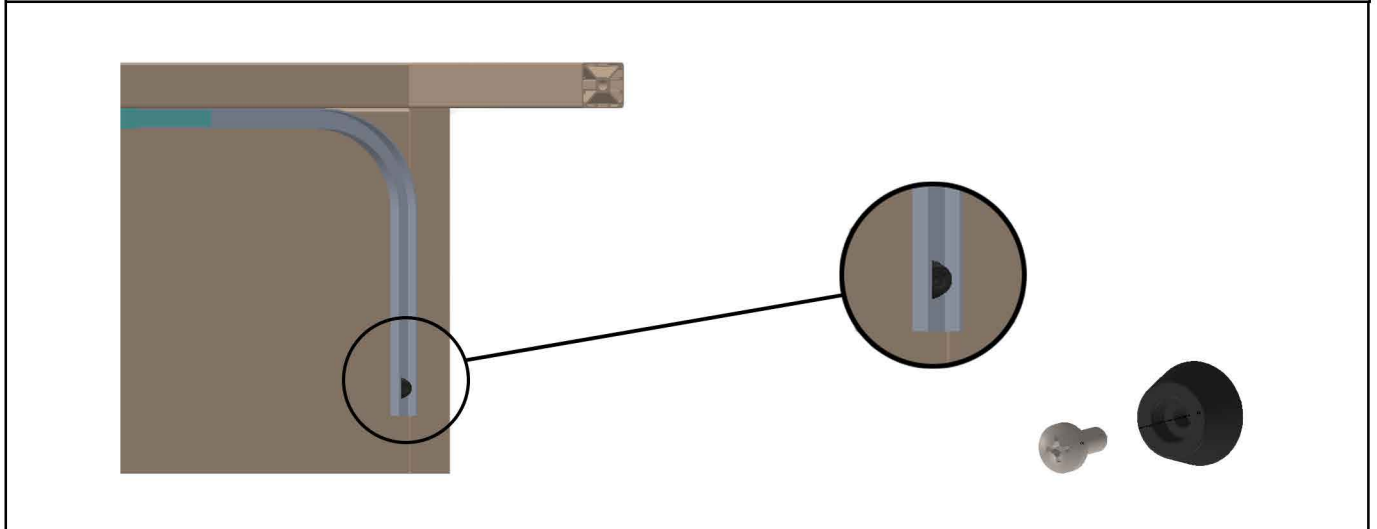
18.A - Drill the guide and fix the lower block (aglas) at 60 mm from the ground.



18.B - With one curve and extension, fix the stop spring.

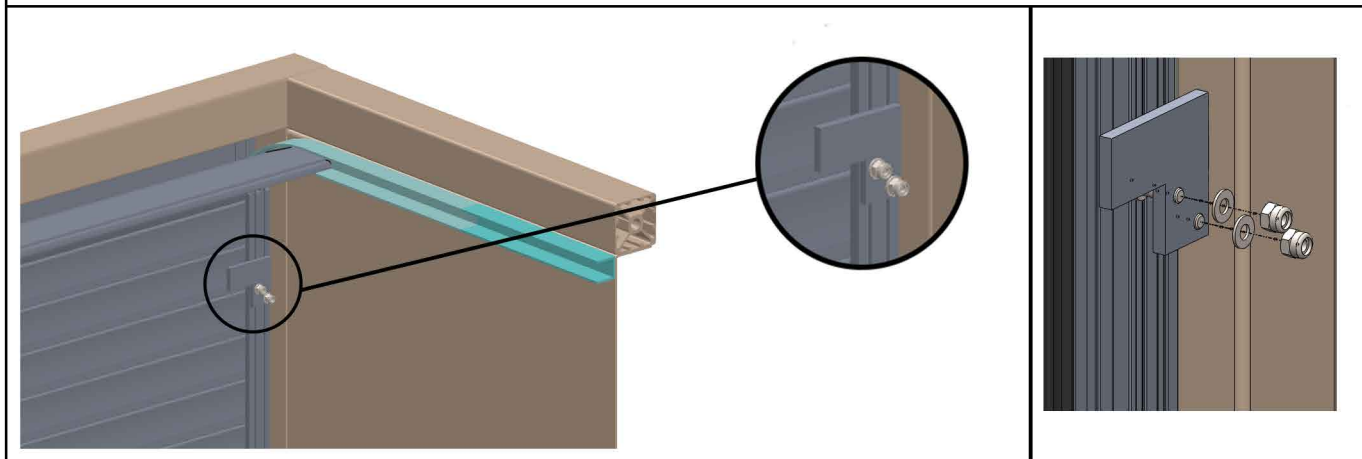


18.C - With second curve and back extension, fix the rubber.



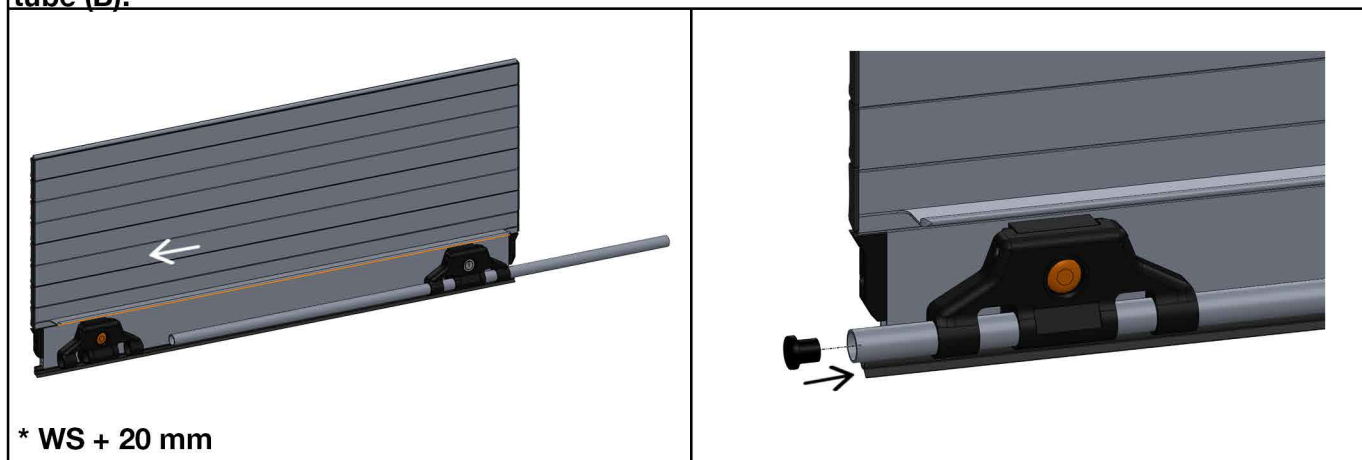
ATTENTION: If you chose the *ECO PLUS* version from step 17.A skip to step 17.D

18.D - Fix the upper block.

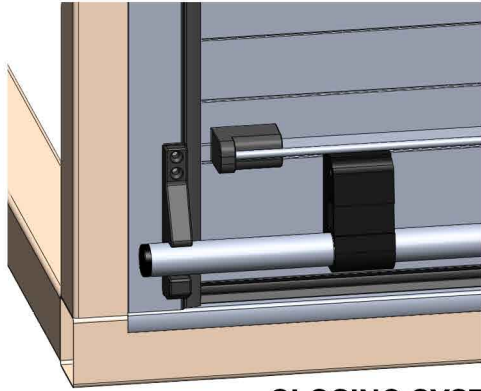


FIXING CLOSING SYSTEM T3 & T5.

19.A Insert the tube $\varnothing 20$ (WS + 20mm) in the blocks (A). After that, insert the plugs in the tube (B).



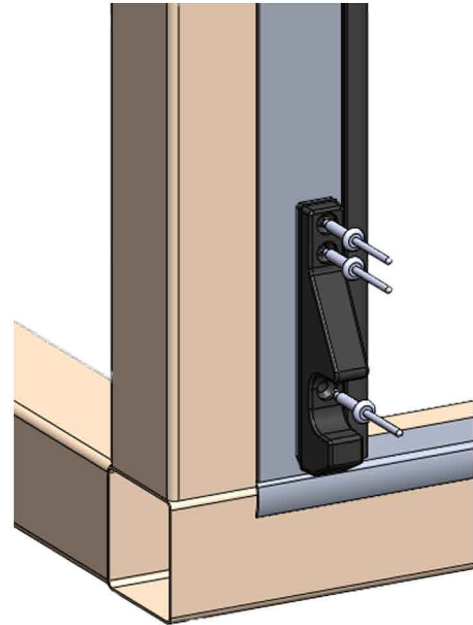
19.B - Fix the lower block (aglas).



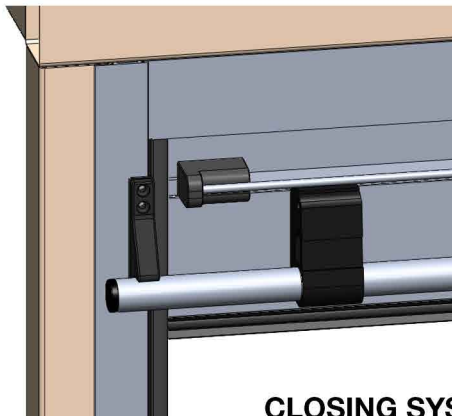
CLOSING SYSTEM T3



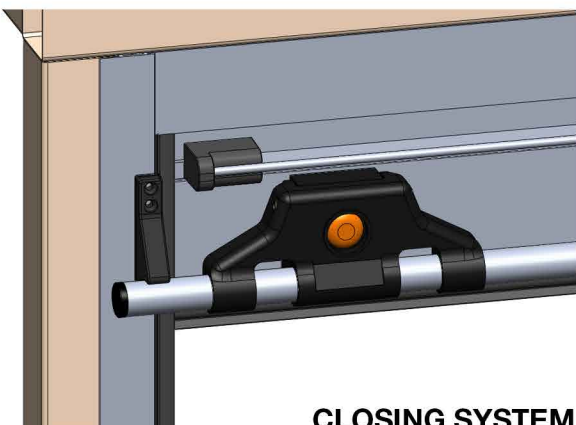
CLOSING SYSTEM T5



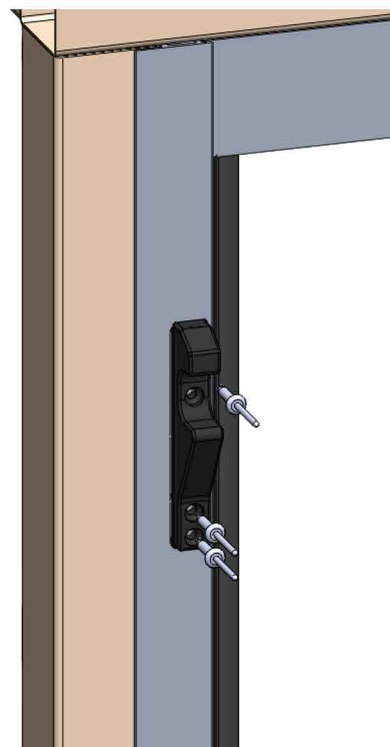
19.C - Fix the same aglas, but upside down, in the higher part of the guide bringing the shutter to the desired height.



CLOSING SYSTEM T3

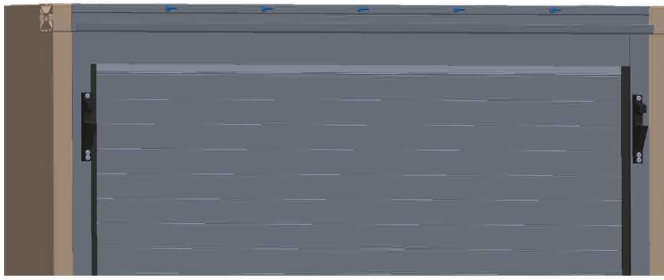


CLOSING SYSTEM T5

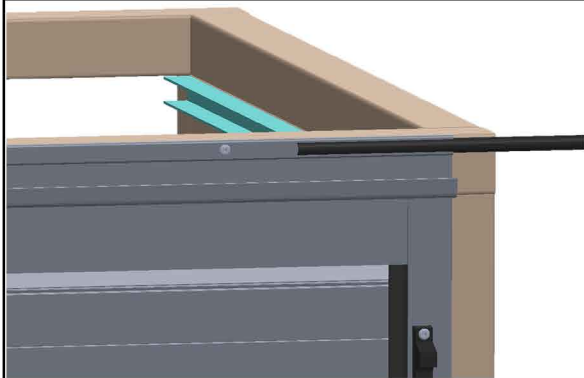
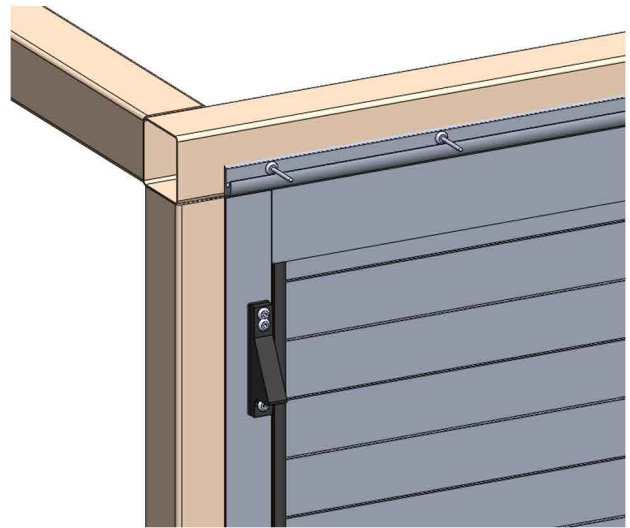


20. Drill and fix the gutter profile (optional). Insert the rubber if you mount the big gutter profile.

BIG GUTTER PROFILE



SMALL GUTTER PROFILE



BIG GUTTER PROFILE

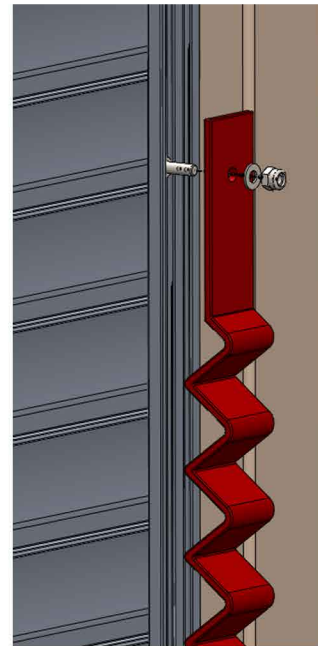
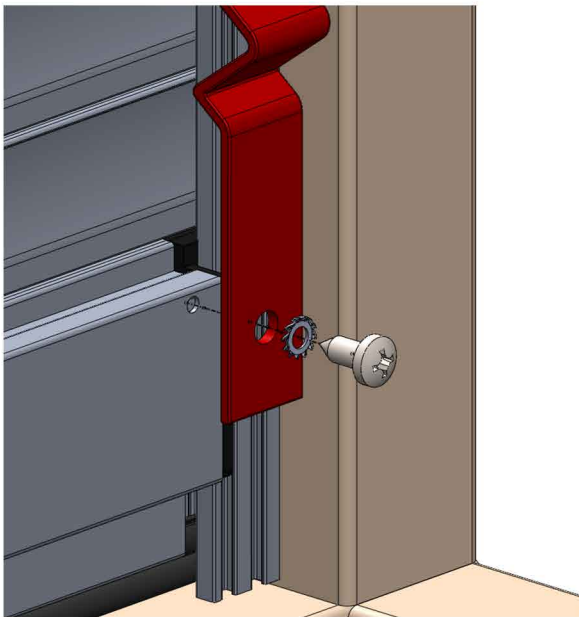


SMALL GUTTER PROFILE



21. Drill and fix one end part of the pulling belt by the supplied screws. Hole $\varnothing 4$.

With the shutter open, fix the other end part of the belt to the side wall of the compartment.



22. The shutter is ready to be used.

